

Cabinet & Enclosure Components, Accessories



ELKOMSAN

Catalog 2015 / 2016

About Us

Commencing its business activity in 1986, **ELKOMSAN** has been active in the fields of Electronics, White Goods, Lighting Luminaires and Cabinet & Enclosure Components' Industries. Since then, ELKOMSAN had worked together and carried out important projects with the leading brand names and companies in these fields in Turkey and the world.

ELKOMSAN Manufacturing Plant equipped with the latest technologies is located in Istanbul, Sancaktepe on covered area of 7.500 m². All production facilities; plastic injection, zinc-die injection, metal cutting and bending processes, design and manufacturing of moulds are fulfilled at its own facility.

ELKOMSAN, aiming to manufacture innovative, reliable and high quality new range of products has been continuing its investment. To satisfy all their demands of its business partners and the employees, **ELKOMSAN** has obtained international certificates of quality management ISO 9001, ISO 14001, OHSAS 18001 and national and international quality standard certificates.

We will continue to stand by our products and words with **ELKOMSAN** brand name. Our values, character, highly qualified and experienced work force make us "reliable business partner" in the field of Cabinet and Enclosure Components, and we will carry it forward every day as our main principle.

Quality Policy

Care for research and development with notion of “developing products for tomorrow not today”, closely follow the technology, expectations, and be ready to meet them in a timely manner,

Meet demands of our customers; using materials and workmanship in compliance with high national and international quality standards, reliable design that facilitates usage, and highly effective products,

Establish direct contact with customers, suppliers, employees, and end-users of our products, and continually develop and renew them in line with feedback and expectations,

Being faithful to principles of honesty, transparency, loyalty to promises, trade customs and rules, care for moral values, people, and environment at every stage of our activities,

Provide safe and peaceful working environment for our employees, where they can further advance themselves, and ensure creativity in what they do,

Make **ELKOMSAN** as reliable, preferred and reference brand name with continually developing value in Turkish and world markets.



Our Targets

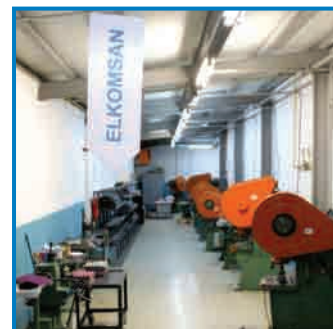
At Cabinet and Enclosure Components' Sector:

- being “the complete solution partner” meeting all needs of our business partners.
- providing “the best product” to our business partners in design, quality, easy, fast and safe mounting at reasonable price,
- being “the reliable and reference brand name” in quality.



Production

- Mold Production
- Plastic Injection
- Zinc - Die Injection
- Metal Forming and Turning
- Assembly
- Quality Control



The Sectors we are Serving

- Electrical Enclosures
- IT Enclosures
- Electrical Transformers
- HVAC Systems
- Rack Cabinets
- Uninterruptible Power Supplies
- Generators
- Compressors
- Industrial Machinery
- Construction and Mining Equipments
- Transportation Vehicles



Certificates

 **CERTIFICATE** 

Management system as per
TS EN ISO 9001:2008

In accordance with TÜV AUSTRIA CERT procedures, it is hereby certified that

ELKOMSAN

ELKOMSAN ELEKTRONİK KOMPONENT SAN. VE TİC. A.Ş.
Merve Mah. Necip Fazıl Cad. No:8/E Yenidoğan
TR-34760 SANCaktepe / İSTANBUL

operates a management system in line with the above standard for the following scope:


**Production and sales of Indoor and Outdoor Lighting Luminaires;
Locks, Hinges and Other Accessories for Electric, Electronic,
Automotive and Furniture sectors;
Caps for Aluminum and Laminate Tubes.**

Certificate Registration No. 22 108 12128377

  Vienna, 2012-07-08

This certificate was prepared in accordance with TÜV AUSTRIA CERT auditing and certification procedures and is subject to regular surveillance audits.
TÜV AUSTRIA CERT GmbH · Ringstraße 18 · A-1019 Wien · www.tva.at

 **CERTIFICATE** 

Management system as per
TS EN ISO 14001:2004

In accordance with TÜV AUSTRIA CERT procedures, it is hereby certified that

ELKOMSAN

ELKOMSAN ELEKTRONİK KOMPONENT SAN. VE TİC. A.Ş.
Merve Mah. Necip Fazıl Cad. No:8/E Yenidoğan
TR-34760 SANCaktepe / İSTANBUL

operates a management system in line with the above standard for the following scope:

**Production and sales of Indoor and Outdoor Lighting Luminaires;
Locks, Hinges and Other Accessories for Electric, Electronic,
Automotive and Furniture sectors;
Caps for Aluminum and Laminate Tubes.**

Certificate Registration No. 22 104 12128378

  Vienna, 2012-07-08

This certificate was prepared in accordance with TÜV AUSTRIA CERT auditing and certification procedures and is subject to regular surveillance audits.
TÜV AUSTRIA CERT GmbH · Ringstraße 18 · A-1019 Wien · www.tva.at

 **CERTIFICATE** 

Management system as per
TS OHSAS 18001:2007

In accordance with TÜV AUSTRIA CERT procedures, it is hereby certified that

ELKOMSAN

ELKOMSAN ELEKTRONİK KOMPONENT SAN. VE TİC. A.Ş.
Merve Mah. Necip Fazıl Cad. No:8/E Yenidoğan
TR-34760 SANCaktepe / İSTANBUL

operates a management system in line with the above standard for the following scope:

**Production and sales of Indoor and Outdoor Lighting Luminaires;
Locks, Hinges and Other Accessories for Electric, Electronic,
Automotive and Furniture sectors;
Caps for Aluminum and Laminate Tubes.**

Certificate Registration No. 22 116 12128376

  Vienna, 2012-07-08

This certificate was prepared in accordance with TÜV AUSTRIA CERT auditing and certification procedures and is subject to regular surveillance audits.
TÜV AUSTRIA CERT GmbH · Ringstraße 18 · A-1019 Wien · www.tva.at

Symbols



RoHS compliant



Inside Gasketing Application



Outside Gasketing Application



Right / Left Hand Side



Right Hand Side



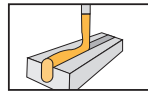
Left Hand Side



Earthing



Padlock Applicable



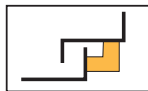
Liquid Gasketing



Leaf Hinge



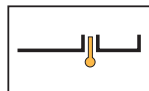
Concealed Hinge



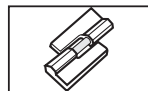
Side Hinge



Corner Hinge



Hinge for Adjacent Cabinet



Lift-off Hinge



IP 20 compliant



IP 40 compliant



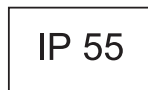
IP 44 compliant



IP 54 compliant



IP 65 compliant



IP 55 compliant



2 Dimensions Adjustable



3 Dimensions Adjustable



Complete Zinc-die

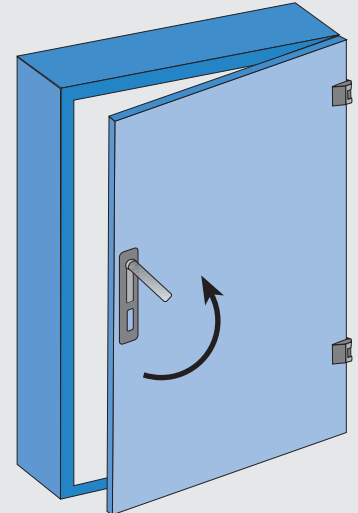


Complete Polyamide

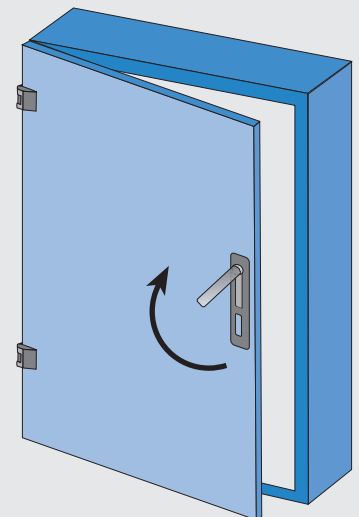
Notes

- All dimensions listed in the catalogue is read in millimetres (mm).
- Elkomsan keeps the right to make any change at any product in the catalogue without pre-information.
- All materials used in production are in compliance with RoHS.
- Design, picture or any part of the catalogue can not be used by a third party without written permission by Elkomsan.
- Please contact Sales Representative for any product not listed in the catalogue.

Door Locking Directions



Right Hand Side



Left Hand Side

INDEX



1 - Quarter Turns.....



2- Swinghandles



3- Cams, Rods, Accessories.....



4- Rod Latch Systems



5- Leaf Hinges



6- Concealed Hinges.....



7- Side Hinges



8- Corner Hinges



9- Gaskets.....

10- Handles.....



11- Latches and Miscellaneous Locks.....



12- HVAC Locks and Accessories.....



13- Accessories.....



14- Stainless Steel Products.....

15- Power Distribution Units (PDU).....

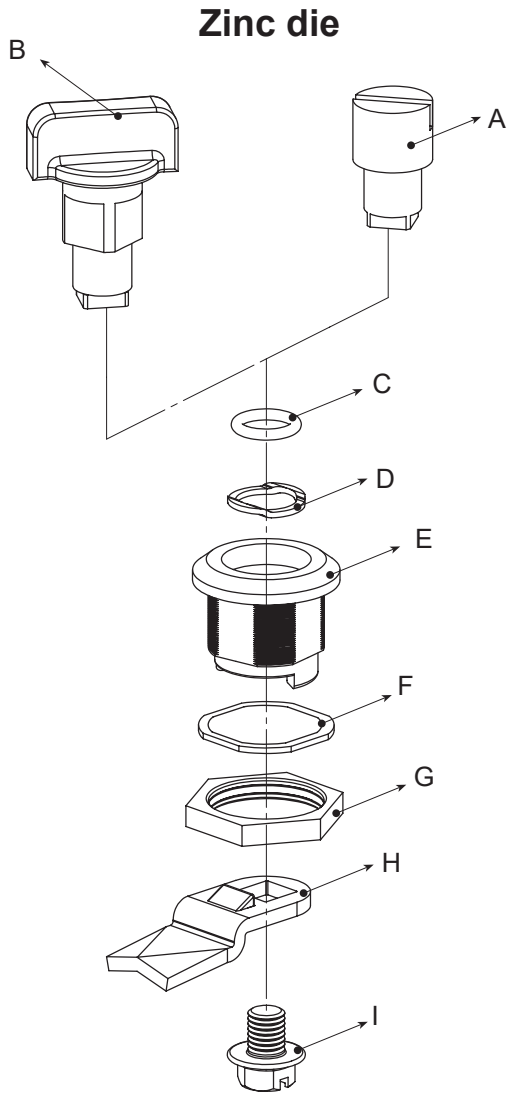
16- Panel and Cabinet Lighting Luminaires

.....	10
.....	46
.....	78
.....	92
.....	138
.....	162
.....	188
.....	200
.....	218
.....	232
.....	244
.....	272
.....	306
.....	328
.....	376
.....	396

Quarter Turns

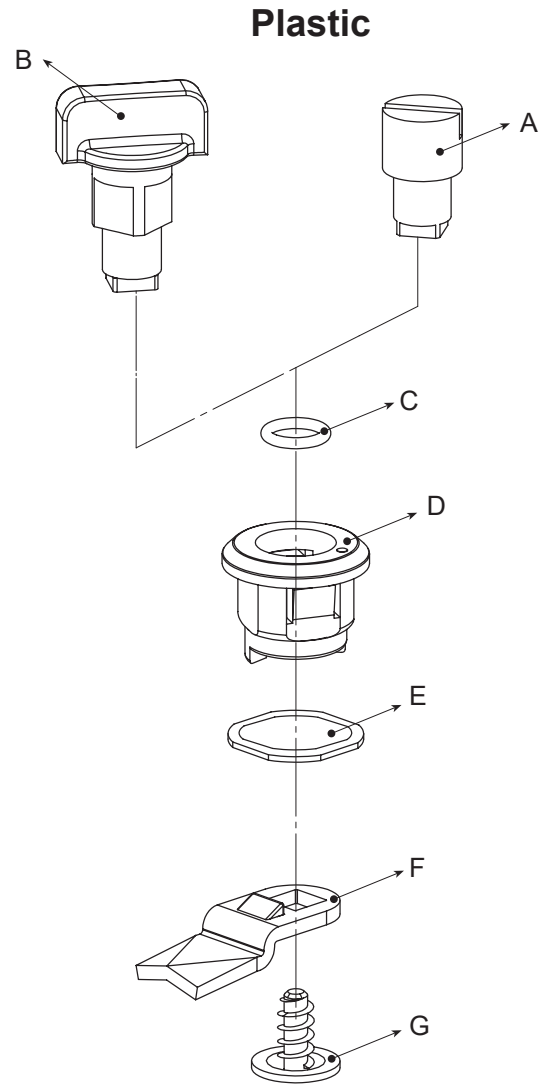
GH = 13,5 Assembly

Quarter Turns



Zinc die

- A : Insert (Zinc die)
- B : Wing knob (Zinc die)
- C : O'ring
- D : Wavv washer
- E : Housing (Zinc die)
- F : Sealing gasket
- G : Nut (Zinc die)
- H : Cam (Steel)
- I : Screw



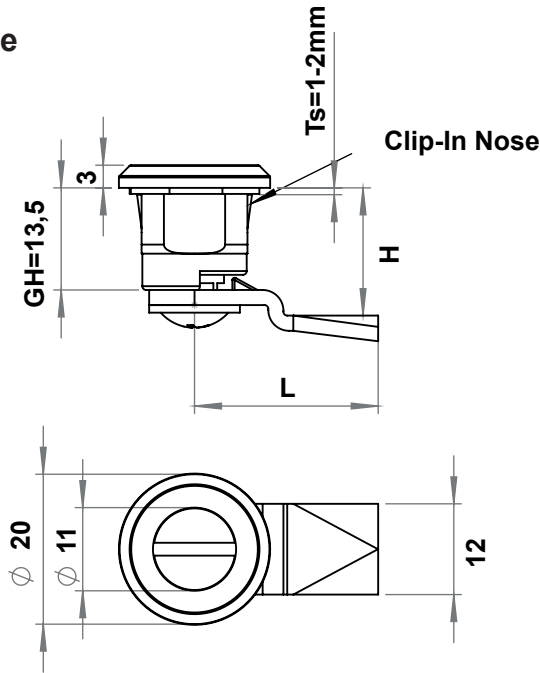
Plastik

- A : Insert (PA)
- B : Wing knob (PA)
- C : O'ring
- D : Housing (PA)
- E : Sealing gasket
- F : Cam (Steel)
- G : Screw

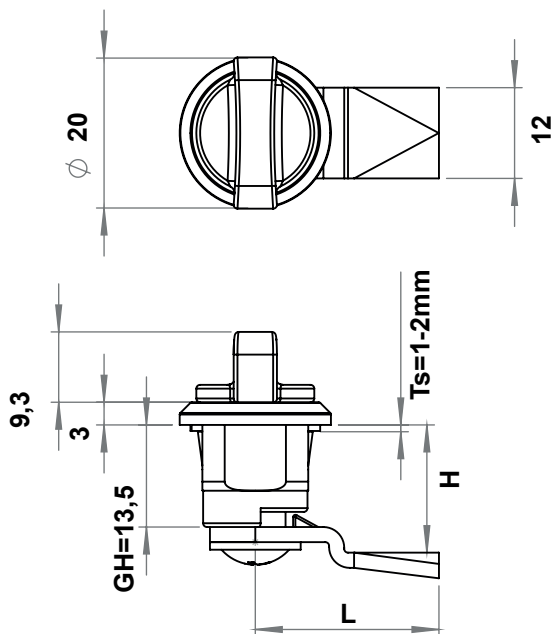
Housing				
Housing, Nut, Seal, Screw, O-ring, Wave washer	Zinc die Black Coated	Zinc die Chrome Plated	Plastic (PA)	Clip-in Plastic (PA)
Version A Cutout	1825 - 300	1825 - 200	1835 - 000	1815 - 000
Version B Cutout	1824 - 300	1824 - 200	1834 - 000	1814 - 000

Insert				
	Insert Types	Zinc die Black Coated	Zinc die Chrome Plated	Plastic (PA)
⊠	Square 6	1735 - 001	1725 - 001	1715 - 001
⊠	Triangular 6,5	1735 - 002	1725 - 002	1715 - 002
⊠	Slotted	1735 - 003	1725 - 003	1715 - 003
⊠	Wing knob	1735 - 004	1725 - 004	1715 - 004

Insert Type



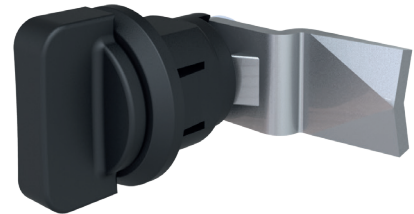
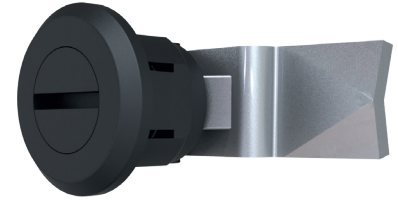
Wing Knob Type



1814 - 1815 - Clip-In, Quarter Turn GH=13,5

	Insert Types	Version A Cutout	Version B Cutout
	Square 6	1815 - 001 - xxx	1814 - 001 - xxx
	Triangular 6,5	1815 - 002 - xxx	1814 - 002 - xxx
	Slotted	1815 - 003 - xxx	1814 - 003 - xxx
	Wing knob	1815 - 004 - xxx	1814 - 004 - xxx

You may chose the XXX section, on the side of the page.



Quarter Turns

MATERIAL

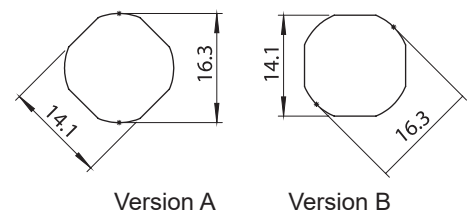
Housing : Polyamide (PA6 GFR30), black
Insert : Polyamide (PA6 GFR30), black
Wing knob : Polyamide (PA6 GFR30), black
Cam : Steel, zinc plated

OPTIONS

Cams :
Keys :

Suitable Cams				
Item Number	XXX	CH (mm)	L (mm)	GH=13,5 H (mm)
1900-604	604	-6	24	7,5
1900-602	602	0	24	13,5
1900-607	607	0	32	13,5
1900-606	606	0	33	13,5
1900-603	603	6	24	19,5

CUTOUT



Version A

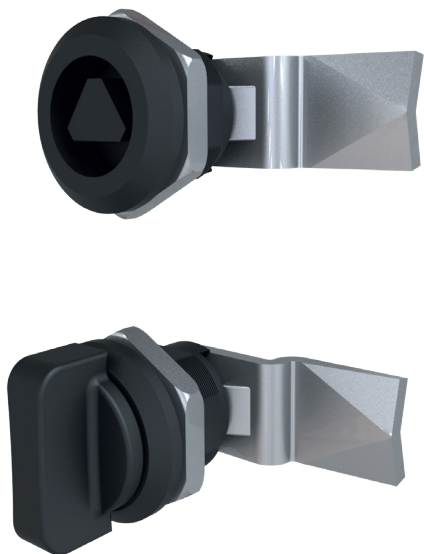
Version B

IP 44



LH/RH

RoHS



MATERIAL

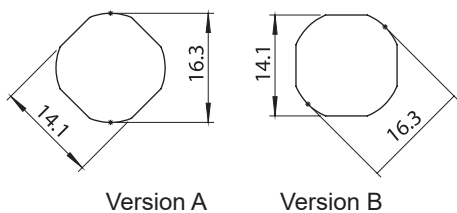
- Housing** : Polyamide (PA6 GFR30), black
- Insert** : Polyamide (PA6 GFR30), black
- Wing knob**: Polyamide (PA6 GFR30), black
- Nut** : Zinc die, zinc plated
- Cam** : Steel, zinc plated

OPTIONS

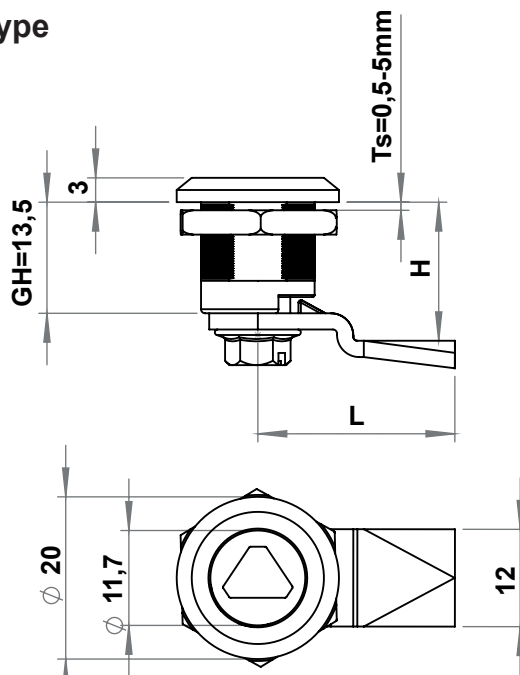
- Cams** :
- Keys** :

Suitable Cams				
Item Number	XXX	CH (mm)	L (mm)	GH=13,5 H (mm)
1900-604	604	-6	24	7,5
1900-602	602	0	24	13,5
1900-607	607	0	32	13,5
1900-606	606	0	33	13,5
1900-603	603	6	24	19,5

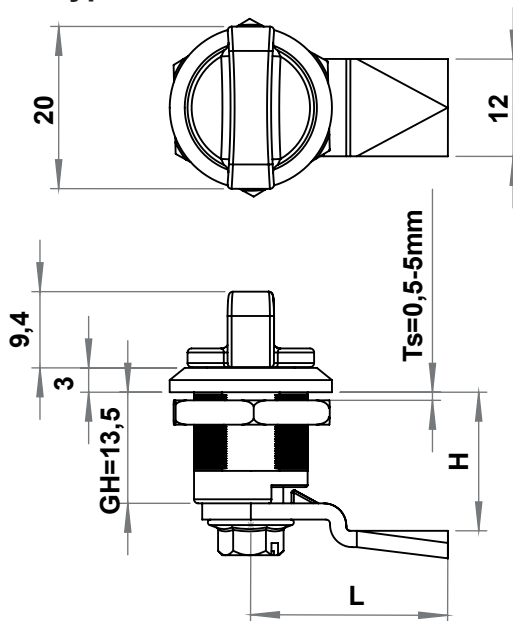
CUTOUT



Insert Type



Wing Knob Type



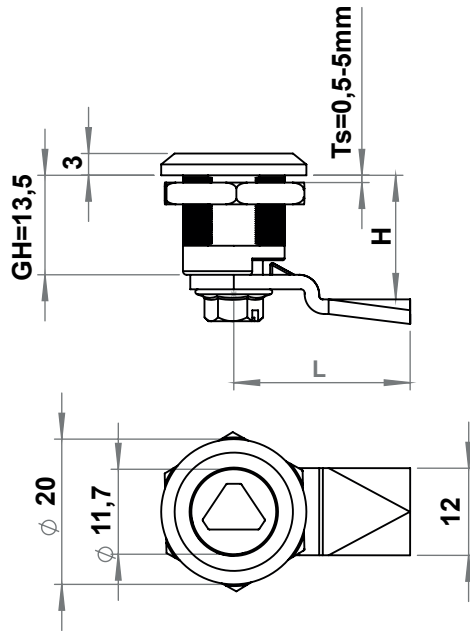
1834 - 1835 - Quarter Turn GH=13,5

	Insert Types	Version A Cutout	Version B Cutout
	Square 6	1835 - 101 - xxx	1834 - 101 - xxx
	Triangular 6,5	1835 - 102 - xxx	1834 - 102 - xxx
	Slotted	1835 - 103 - xxx	1834 - 103 - xxx
	Wing knob	1835 - 104 - xxx	1834 - 104 - xxx

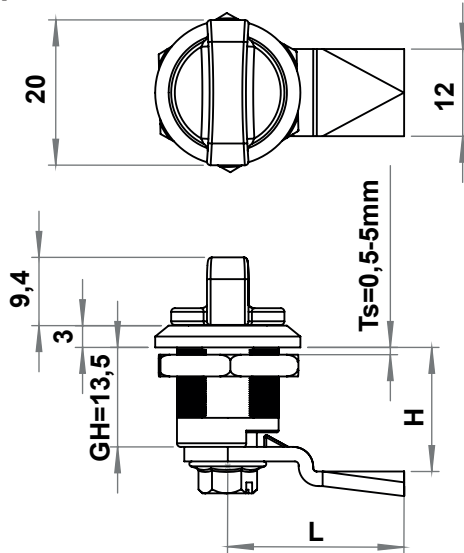
You may chose the XXX section, on the side of the page.



Insert Type



Wing Knob Type

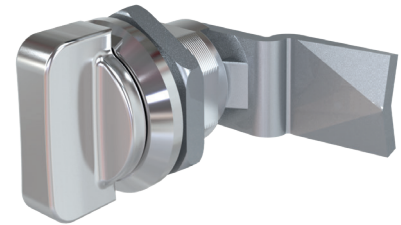
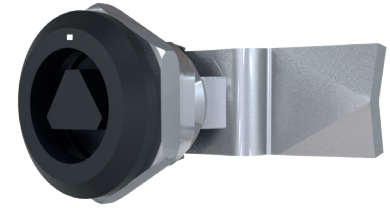


1824 - 1825 - Quarter Turn GH=13,5

Version A Cutout			
	Insert Types	Zinc die, Chrome Plated	Zinc die, Black coated
	Square 6	1825 - 201 - xxx	1825 - 301 - xxx
	Triangular 6,5	1825 - 202 - xxx	1825 - 302 - xxx
	Slotted	1825 - 203 - xxx	1825 - 303 - xxx
	Wing knob	1825 - 204 - xxx	1825 - 304 - xxx

Version B Cutout			
	Insert Types	Zinc die, Chrome Plated	Zinc die, Black coated
	Square 6	1824 - 201 - xxx	1824 - 301 - xxx
	Triangular 6,5	1824 - 202 - xxx	1824 - 302 - xxx
	Slotted	1824 - 203 - xxx	1824 - 303 - xxx
	Wing knob	1824 - 204 - xxx	1824 - 304 - xxx

You may chose the XXX section, on the side of the page.



Quarter Turns

MATERIAL

- Housing** : Zinc die, chrome plated or black coated
- Insert** : Polyamide (PA6 GFR30), black
- Wing knob** : Zinc die, chrome plated or black coated
- Somun** : Zinc die, zinc plated
- Cam** : Steel, zinc plated

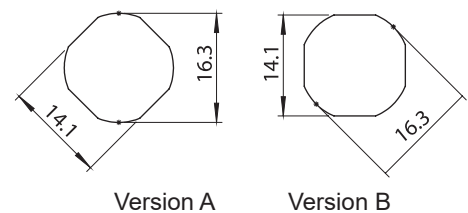
* Stainless Steel version is available

OPTIONS

- Cams** :
- Keys** :

Suitable Cams				
Item Number	XXX	CH (mm)	L (mm)	GH=13,5 H (mm)
1900-604	604	-6	24	7,5
1900-602	602	0	24	13,5
1900-607	607	0	32	13,5
1900-606	606	0	33	13,5
1900-603	603	6	24	19,5

CUTOUT



Version A

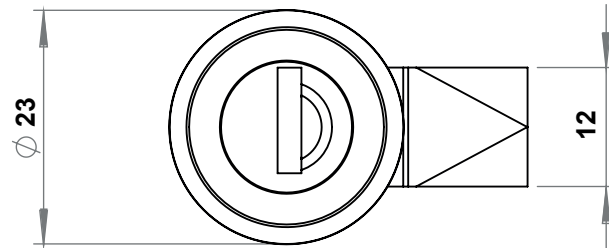
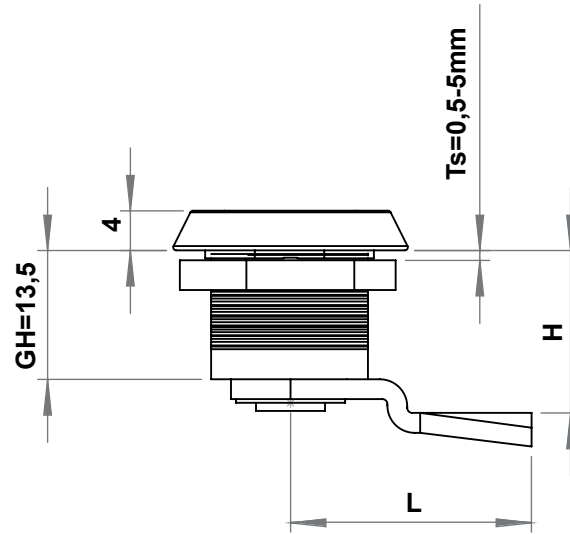
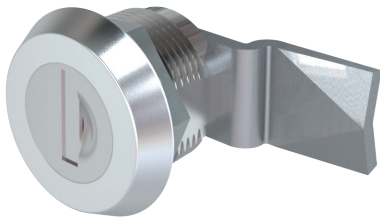
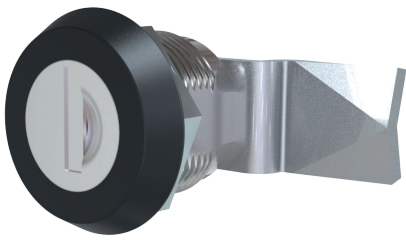
Version B

IP 65



LH/RH

RoHS



MATERIAL

Housing: Zinc die, Chrome Plated or black coated

Nut : Zinc die, zinc plated

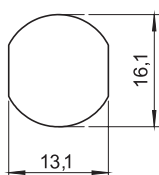
Cam : Steel, zinc plated

OPTIONS

Cams :

Suitable Cams				
Item Number	XXX	CH (mm)	L (mm)	GH=13,5 H (mm)
1900-704	704	-6	24	7,5
1900-702	702	0	24	13,5
1900-705S	705S	1,5	30	15
1900-703	703	6	24	19,5

CUTOUT

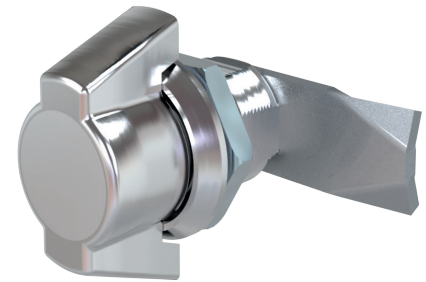
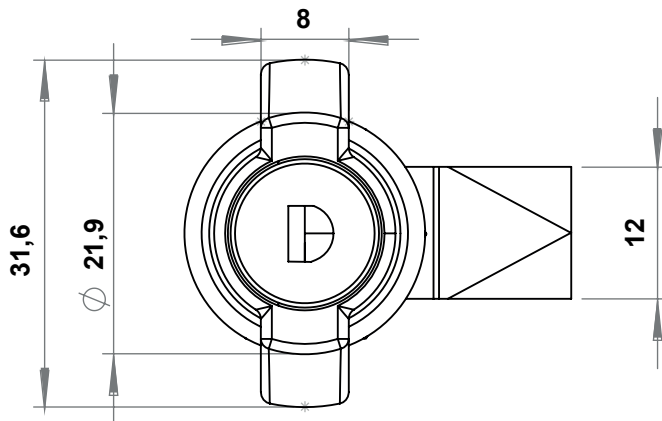
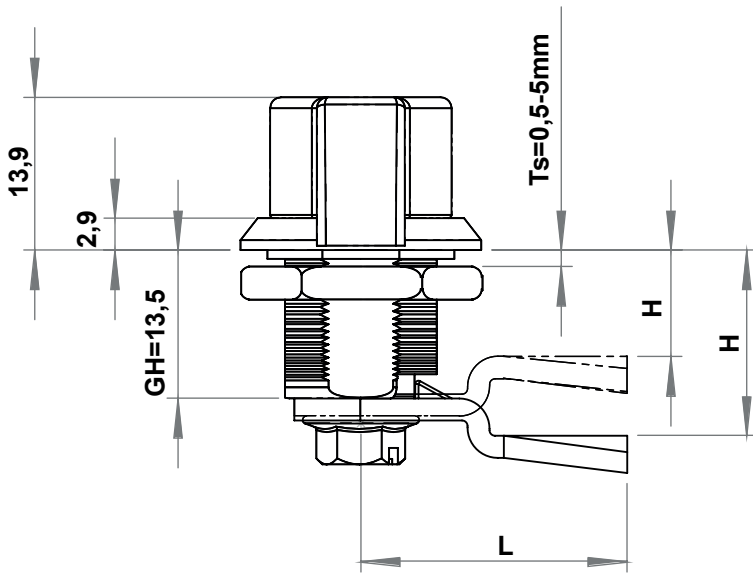


1890 - Keyed Quarter Turn GH=13,5

	Zinc die, Chrome Plate	Zinc die, Black Coated
Keyed 2222	1890 - 910 - xxx	1890 - 920 - xxx
Keyed Differ	1890 - 919 - xxx	1890 - 929 - xxx

You may chose the XXX section, on the side of the page.

IP 44  LH/RH  RoHS 



Quarter Turns

MATERIAL

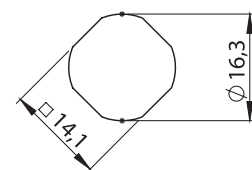
- Housing** : Zinc die, chrome plated or black coated
- Wing knob** : Zinc die, chrome plated or black coated
- Somun** : Zinc die, zinc plated
- Cam** : Steel, zinc plated.

OPTIONS

Cams :

Suitable Cams				
Item Number	XXX	CH (mm)	L (mm)	GH=13,5 H (mm)
1900-604	604	-6	24	7,5
1900-602	602	0	24	13,5
1900-607	607	0	32	13,5
1900-606	606	0	33	13,5
1900-603	603	6	24	19,5

CUTOUT



1014 - Keyed Wing Knob GH=13,5

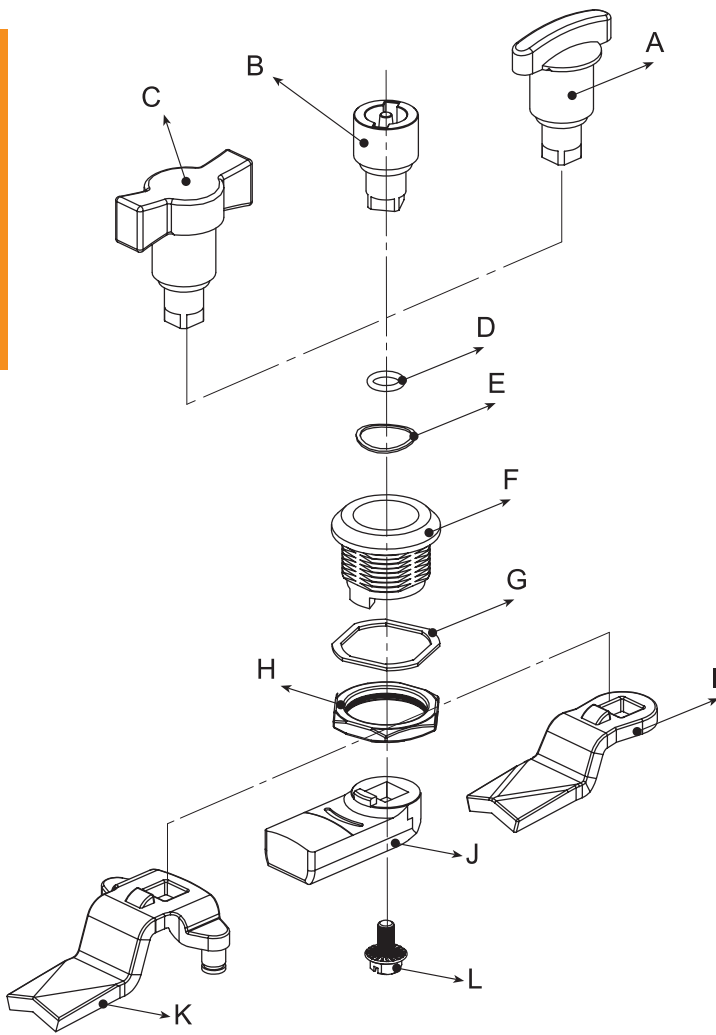
	Chrome Plate	Black Coated
Non-locking	1014 - 210 - xxx	1014 - 220 - xxx
Keyed 2222	1014 - 910 - xxx	1014 - 920 - xxx
Keyed Differ	1014 - 919 - xxx	1014 - 929 - xxx

You may chose the XXX section, on the side of the page.

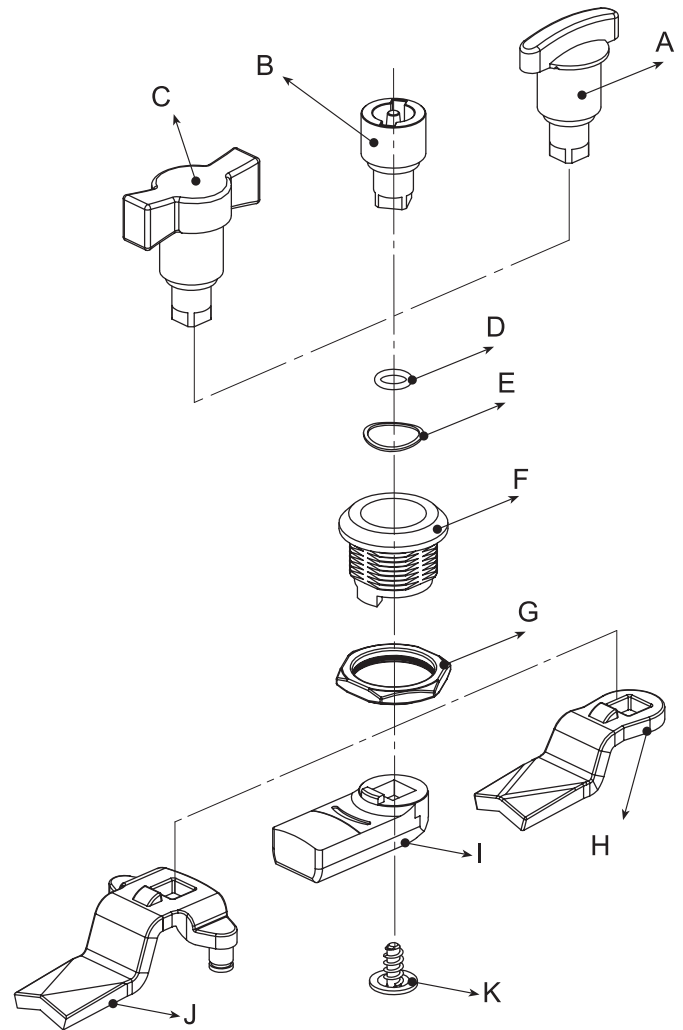


GH=18 Assembly

Zinc die



Plastic



Zinc die














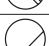




- A : Wing knob (Zinc die)
- B : Insert (Zinc die)
- C : Wing knob (Zinc die)
- D : O'ring
- E : Wave Washer
- F : Housing (Zinc die)
- G : Sailing Gasket
- H : Nut (Zinc die)
- I : Cam (Steel)
- J : Cam (Plastic)
- K : Cam (Steel)
- L : Screw

Plastic

- A : Wing knob (PA)
- B : Insert (PA)
- C : Wing knob (PA)
- D : O'ring
- E : Wave Washer
- F : Housing (PA)
- G : Nut (PA)
- H : Cam (Steel)
- I : Cam (PA)
- J : Cam (Steel)
- K : Screw

HOUSING				
Product Family	Zinc die Black Coated	Zinc die Chrome Plated	Plastic (PA)	Plastic (PA) Metal Nut
1800	1830 - 300	1820 - 200	1810 - 100	1810 - 200
1817	-	-	1817 -100	1817 -200
1842	1852 - 300	1842 - 200	-	-
1801	1831 - 300	1821 - 200	-	-
1122	1122 - 300	1122 - 200	-	-

Housing codes contains housing, nut, washer, oring and screw.

INSERTS						
Product Family		1800 - 1817 - 1122			1842 - 1801	
	Insert Types	Zinc die Black Coated	Zinc die Chrome Plated	Plastic (PA)	Zinc die Black Coated	Zinc die Chrome Plated
	Double Bit 3 mm	1730 - 001	1720 - 001	1710 - 001	1750 - 001	1740 - 001
	Double Bit 5 mm	1730 - 002	1720 - 002	1710 - 002	1750 - 002	1740 - 002
	Triangular 6,5 mm	-	-	-	1750 - 017	1740 - 017
	Triangular 7 mm	1730 - 007	1720 - 007	1710 - 007	-	-
	Triangular 8 mm	1730 - 003	1720 - 003	1710 - 003	1750 - 003	1740 - 003
	Triangular 9 mm	1730 - 009	1720 - 009	1710 - 009	1750 - 009	1740 - 009
	Triangular 10 mm	1730 - 013	1720 - 013	-	-	-
	Triangular 10mm M5 Threaded	1730 - 016	1720 - 016	-	-	-
	Square 6 mm	1730 - 015	1720 - 015	1710 - 015	1750 - 015	1740 - 015
	Square 7 mm	1730 - 004	1720 - 004	1710 - 004	1750 - 004	1740 - 004
	Square 8 mm	1730 - 005	1720 - 005	1710 - 005	1750 - 005	1740 - 005
	Square 8 Slotted	1730 - 011	1720 - 011	-	-	-
	Square 10mm	1730 - 022	1720 - 022	-	-	-
	Slotted	1730 - 008	1720 - 008	1710 - 008	1750 - 008	1740 - 008
	Eastern Europe	1730 - 010	1720 - 010	1710 - 010	-	-
	Hexagon 5 mm	1730 - 014	1720 - 014	-	-	-
	Hexagon 8 mm	1730 - 006	1720 - 006	1710 - 006	-	-
	Fiat	1730 - 012	1720 - 012	-	-	-



MATERIAL

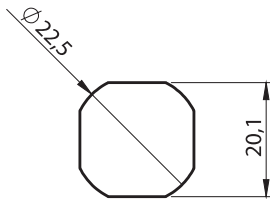
- Housing:** Polyamide (PA6 GFR30), black / Zinc die chrome plated or black coated
- Insert :** Polyamide (PA6 GFR30), black / Zinc die chrome plated or black coated
- Nut :** Plastic / Zinc die
- Cam :** Plastic / Steel, zinc plated


OPTIONS

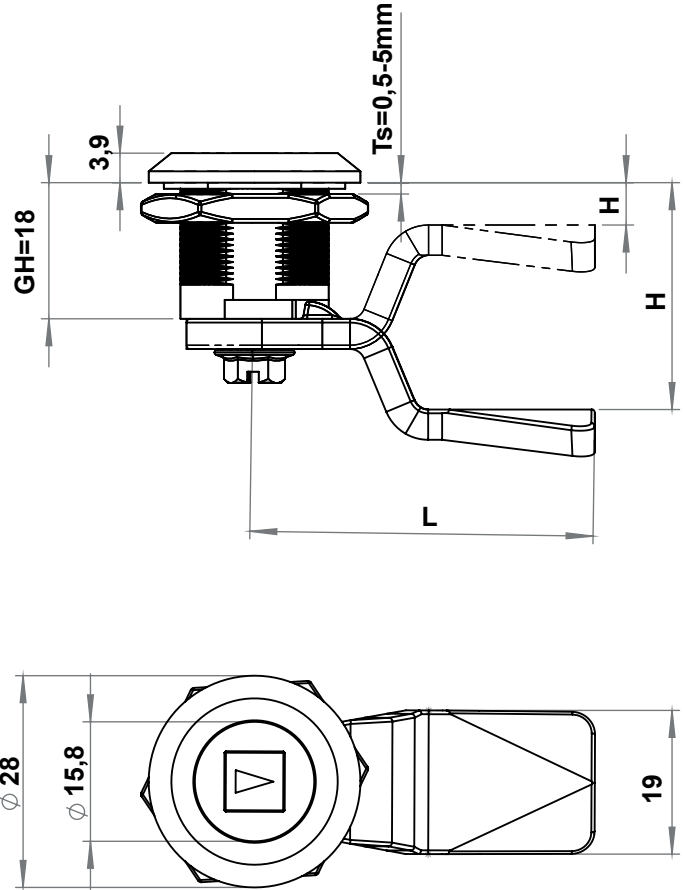
- Cams :**
- Keys :**

* Stainless Steel versions is available


















CUTOUT



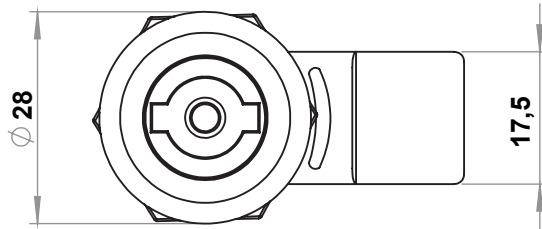
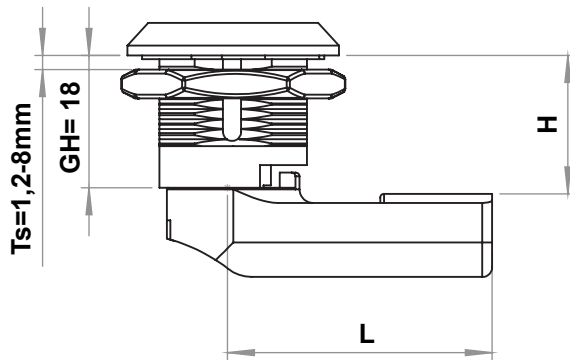
IP 65  LH/RH  RoHS 



1800 - Quarter Turn GH=18

	Insert Types	Plastic (PA)	Zinc die Chrome Plated	Zinc die Black Coated
	Double Bit 3 mm	1810 - 101 - xxx	1820 - 201 - xxx	1830 - 301 - xxx
	Double Bit 5 mm	1810 - 102 - xxx	1820 - 202 - xxx	1830 - 302 - xxx
	Triangular 7 mm	1810 - 107 - xxx	1820 - 207 - xxx	1830 - 307 - xxx
	Triangular 8 mm	1810 - 103 - xxx	1820 - 203 - xxx	1830 - 303 - xxx
	Triangular 9 mm	1810 - 109 - xxx	1820 - 209 - xxx	1830 - 309 - xxx
	Triangular 10 mm		1820 - 213 - xxx	1830 - 313 - xxx
	Triangular 10mm M5 Threaded		1820 - 216 - xxx	1830 - 316 - xxx
	Square 6 mm	1810 - 115 - xxx	1820 - 215 - xxx	1830 - 315 - xxx
	Square 7 mm	1810 - 104 - xxx	1820 - 204 - xxx	1830 - 304 - xxx
	Square 8 mm	1810 - 105 - xxx	1820 - 205 - xxx	1830 - 305 - xxx
	Square 8 Slotted		1820 - 211 - xxx	1830 - 311 - xxx
	Square 10mm		1820 - 222 - xxx	1830 - 322 - xxx
	Slotted	1810 - 108 - xxx	1820 - 208 - xxx	1830 - 308 - xxx
	Eastern Europe	1810 - 110 - xxx	1820 - 210 - xxx	1830 - 310 - xxx
	Hexagon 5 mm		1820 - 214 - xxx	1830 - 314 - xxx
	Hexagon 8 mm	1810 - 106 - xxx	1820 - 206 - xxx	1830 - 306 - xxx
	Fiat		1820 - 212 - xxx	1830 - 312 - xxx

You may chose the XXX section from tables of cams with stoper.



Quarter Turns

MATERIAL

Housing : Polyamide (PA6 GFR30), black
Insert : Polyamide (PA6 GFR30), black
Somun : Plastic
Cam : Plastic / Steel, zinc plated

OPTIONS

Cams :
Keys :

* Sealing gasket is black

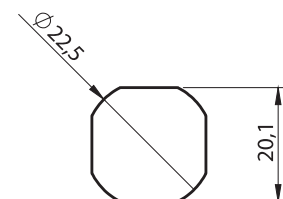
* IP66 and IP67 versions are available

1817 - Quarter Turn with Injected Gasket GH=18

	Insert Types	Plastic (PA)
	Double Bit 3 mm	1817 - 101 - xxx
	Double Bit 5 mm	1817 - 102 - xxx
	Triangular 7 mm	1817 - 107 - xxx
	Triangular 8 mm	1817 - 103 - xxx
	Triangular 9 mm	1817 - 109 - xxx
	Square 6 mm	1817 - 115 - xxx
	Square 7 mm	1817 - 104 - xxx
	Square 8 mm	1817 - 105 - xxx
	Slotted	1817 - 108 - xxx
	Eastern Europe	1817 - 110 - xxx
	Hexagon 8	1817 - 106 - xxx

You may chose the XXX section from tables of cams with stoper.

CUTOUT

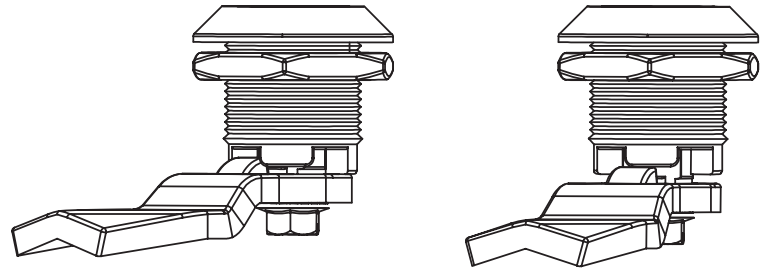
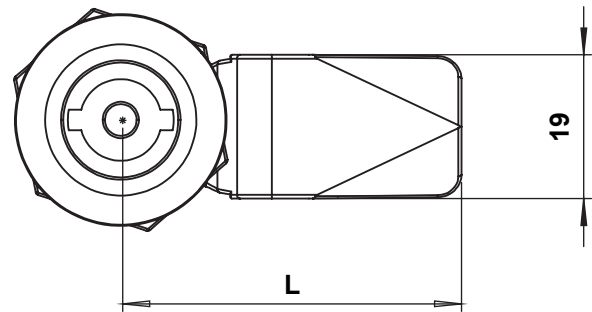
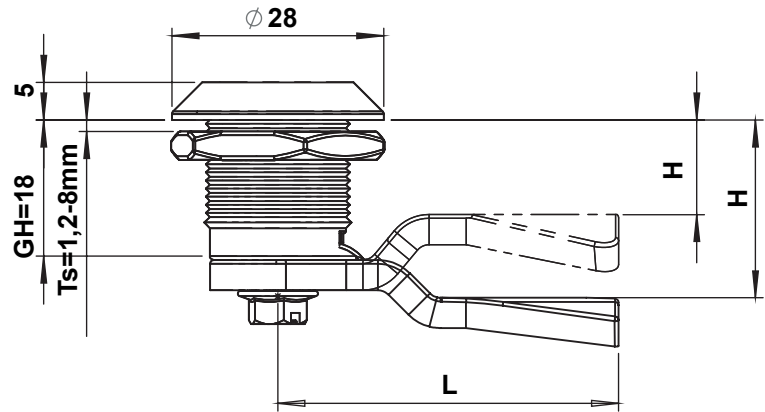


IP 65



LH/RH

RoHS



MATERIAL

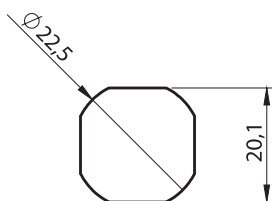
- Housing:** Zinc die, chrome plated or black coated
- Insert :** Zinc die, chrome plated or black coated
- Nut :** Zinc die, zinc plated
- Cam :** Plastic / Steel, zinc plated

OPTIONS

- Cams :**
- Keys :**

Due to the nose on the housing, for unlocking, it is necessary to push and turn the quarter turn. It cannot be opened by vibration.

CUTOUT

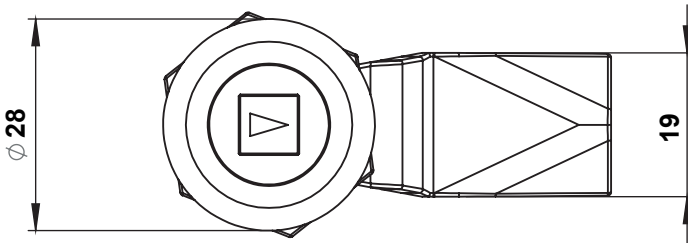
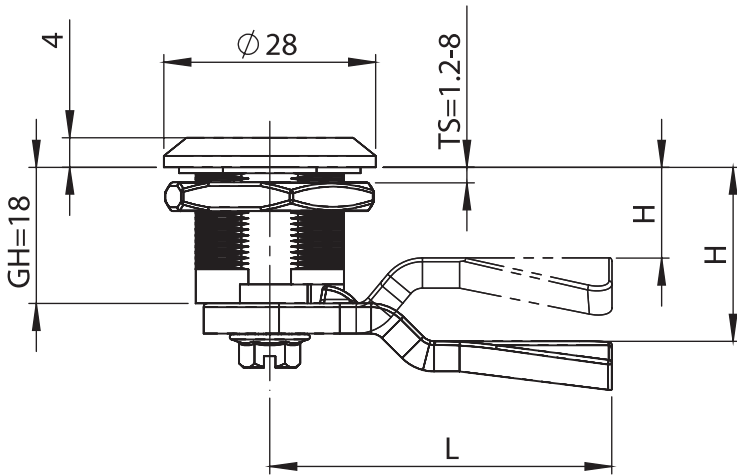


1842 - Anti-vibration Quarter Turn GH=18

	Insert Types	Zinc die Chrome Plated	Zinc die Black Coated
	Double Bit 3 mm	1842 - 201 - xxx	1852 - 301 - xxx
	Double Bit 5 mm	1842 - 202 - xxx	1852 - 302 - xxx
	Triangular 6,5 mm	1842 - 217 - xxx	1852 - 317 - xxx
	Triangular 8 mm	1842 - 203 - xxx	1852 - 303 - xxx
	Triangular 9 mm	1842 - 209 - xxx	1852 - 309 - xxx
	Square 6 mm	1842 - 215 - xxx	1852 - 315 - xxx
	Square 7 mm	1842 - 204 - xxx	1852 - 304 - xxx
	Square 8 mm	1842 - 205 - xxx	1852 - 305 - xxx
	Slotted	1842 - 208 - xxx	1852 - 308 - xxx

You may chose the XXX section from tables of cams with stoper.





Quarter Turns

MATERIAL

- Housing:** Zinc die, chrome plated or black coated
- Insert :** Zinc die, chrome plated or black coated
- Nut :** Zinc die, zinc plated
- Cam :** Plastic / Steel, zinc plated

OPTIONS

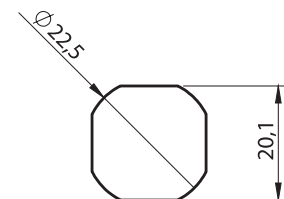
- Cams :**
- Keys :**

1801 - Quarter Turn with spring GH=18

	Insert Types	Zinc die Chrome Plated	Zinc die Black Coated
	Double Bit 3 mm	1821 - 201 - xxx	1831 - 301 - xxx
	Double Bit 5 mm	1821 - 202 - xxx	1831 - 302 - xxx
	Triangular 6,5 mm	1821 - 217 - xxx	1831 - 317 - xxx
	Triangular 8 mm	1821 - 203 - xxx	1831 - 303 - xxx
	Triangular 9 mm	1821 - 209 - xxx	1831 - 309 - xxx
	Square 6 mm	1821 - 215 - xxx	1831 - 315 - xxx
	Square 7 mm	1821 - 204 - xxx	1831 - 304 - xxx
	Square 8 mm	1821 - 205 - xxx	1831 - 305 - xxx
	Slotted	1821 - 208 - xxx	1831 - 308 - xxx

You may chose the XXX section from tables of cams with stoper.

CUTOUT

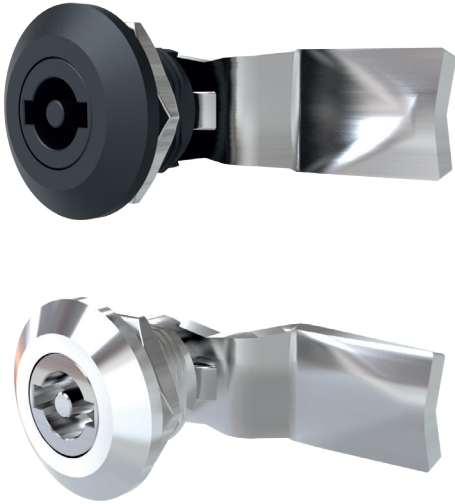


IP 65



LH/RH

RoHS



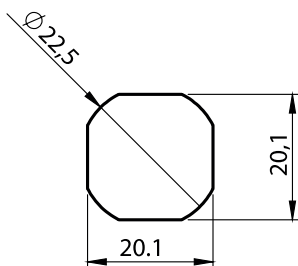
MATERIAL

- Housing:** Zinc die, chrome plated or black coated
- Insert :** Zinc die, chrome plated or black coated
- Nut :** Zinc die, zinc plated
- Cam :** Plastic / Steel, zinc plated

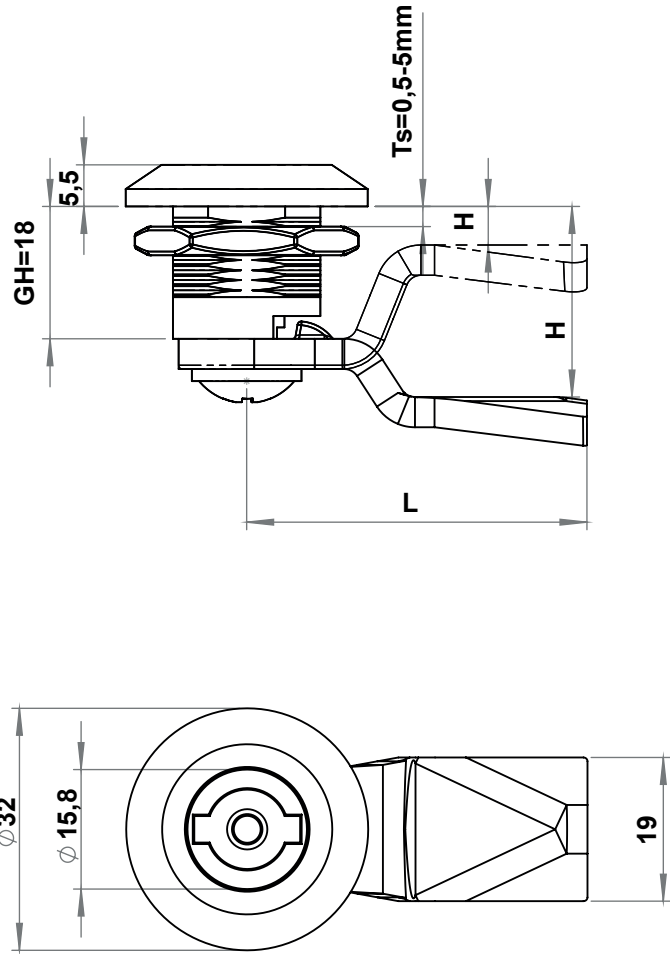
OPTIONS

- Cams :**
- Keys :**
















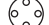
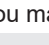
CUTOUT



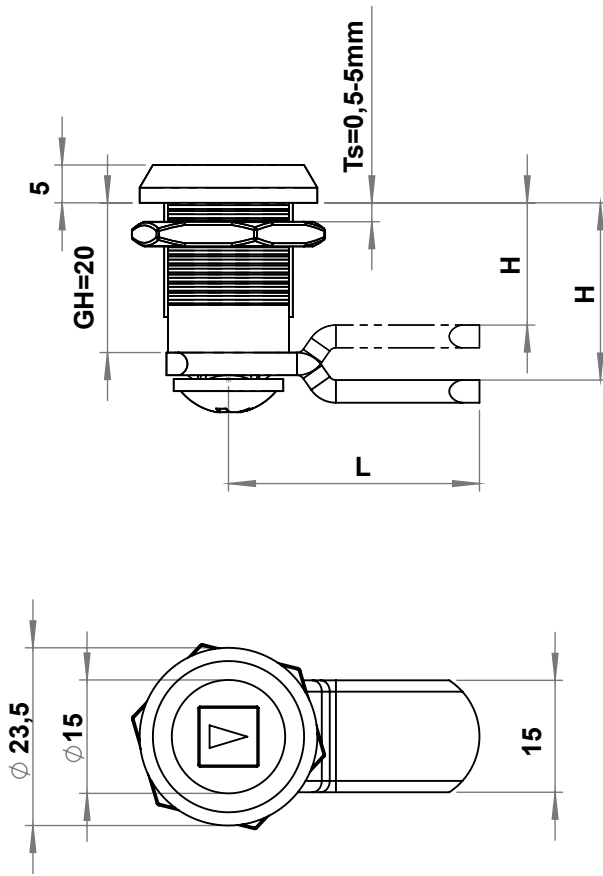
IP 65  LH/RH  RoHS 



1122 - Quarter Turn GH=18

	Insert Types	Zinc die Black Coated	Zinc die Chrome Plated
	Double Bit 3 mm	1122 - 301 - xxx	1122 - 201 - xxx
	Double Bit 5 mm	1122 - 302 - xxx	1122 - 202 - xxx
	Triangular 7 mm	1122 - 307 - xxx	1122 - 207 - xxx
	Triangular 8 mm	1122 - 303 - xxx	1122 - 203 - xxx
	Triangular 9 mm	1122 - 309 - xxx	1122 - 209 - xxx
	Triangular 10 mm	1122 - 313 - xxx	1122 - 213 - xxx
	Triangular 10mm M5 Threaded	1122 - 316 - xxx	1122 - 216 - xxx
	Square 6 mm	1122 - 315 - xxx	1122 - 215 - xxx
	Square 7 mm	1122 - 304 - xxx	1122 - 204 - xxx
	Square 8 mm	1122 - 305 - xxx	1122 - 205 - xxx
	Square 8 Slotted	1122 - 311 - xxx	1122 - 211 - xxx
	Square 10mm	1122 - 322 - xxx	1122 - 222 - xxx
	Slotted	1122 - 308 - xxx	1122 - 208 - xxx
	Eastern Europe	1122 - 310 - xxx	1122 - 210 - xxx
	Hexagon 5 mm	1122 - 314 - xxx	1122 - 214 - xxx
	Hexagon 8 mm	1122 - 306 - xxx	1122 - 206 - xxx
	Fiat	1122 - 312 - xxx	1122 - 212 - xxx

You may chose the XXX section from tables of cams with stoper.



Quarter Turns

MATERIAL

Housing: Zinc die, chrome plated or black coated

Insert : Zinc die, chrome plated or black coated

Nut : Zinc die, zinc plated

Cam : Plastic / Steel, zinc plated

OPTIONS

Cams :

Keys :

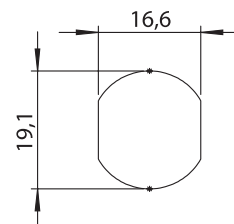
Stok Kodu	XXX	CH	L	GH=20
1900-512,7	512,7	-7,3	20	12,7
1900-516,5	516,5	-3,5	34	16,5
1900-520S1	520,1	0	32	20
1900-520	520	0	35	20
1900-520S	520S	0	45	20
1900-522	522	2	35	22
1900-523,5	523,5	3,5	39	23,5
1900-527	527	7	42	27

1004 - Quarter Turn GH=20

	Insert Types	Zinc die Chrome Plated	Zinc die Black Coated
	Double Bit 3 mm	1004 - 201 - xxx	1004 - 301 - xxx
	Double Bit 5 mm	1004 - 202 - xxx	1004 - 302 - xxx
	Triangular 7 mm	1004 - 207 - xxx	1004 - 307 - xxx
	Triangular 8 mm	1004 - 203 - xxx	1004 - 303 - xxx
	Triangular 9 mm	1004 - 209 - xxx	1004 - 309 - xxx
	Square 7 mm	1004 - 204 - xxx	1004 - 304 - xxx
	Square 8 mm	1004 - 205 - xxx	1004 - 305 - xxx
	Slotted	1004 - 208 - xxx	1004 - 308 - xxx

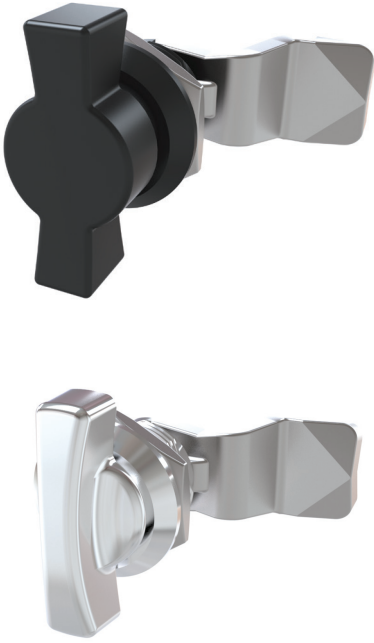
You may chose the XXX section, on the side of the page.

CUTOUT



IP 44 LH/RH RoHS

Quarter Turns



MATERIAL

Housing : Polyamide (PA6 GFR30), black / Zinc die chrome plated or black coated

Wing Knob: Polyamide (PA6 GFR30), black / Zinc die chrome plated or black coated

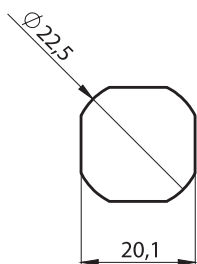
Nut : Plastic / Zinc die

Cam : Plastic / Steel, zinc plated

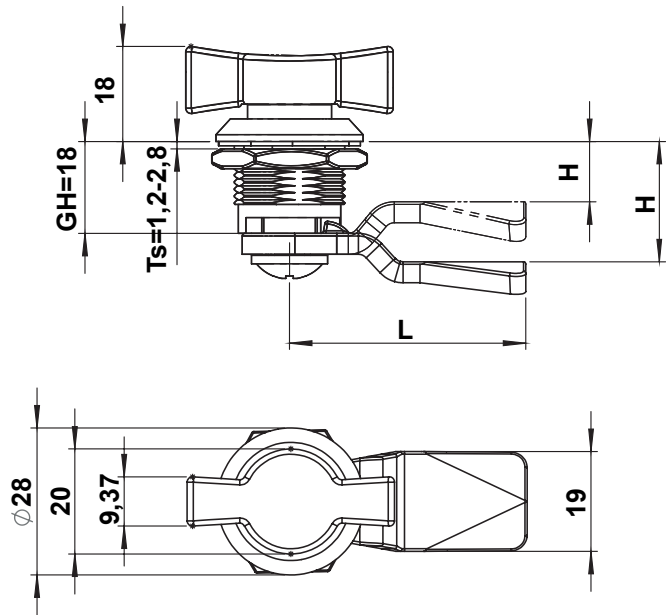
OPTIONS

Cams :

CUTOUT

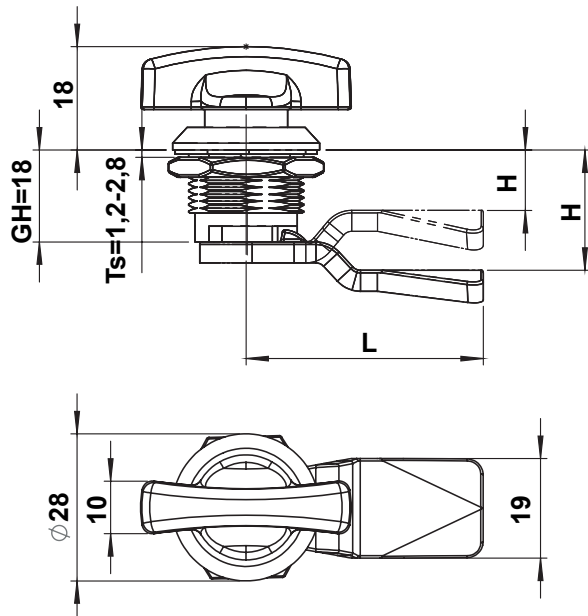


A Type



Housing : PA, black	Housing : PA, black	Housing : Zinc die, black coated
Wing knob : PA, black	Wing knob : PA over Zinc Die, black	Wing knob : PA over Zinc Die, black
1001 - 200 - xxx	1001 - 220 - xxx	1011 - 320 - xxx

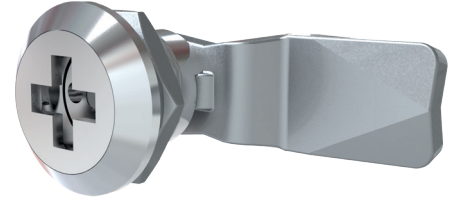
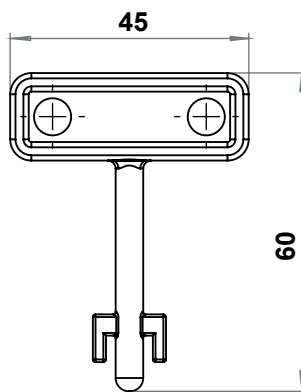
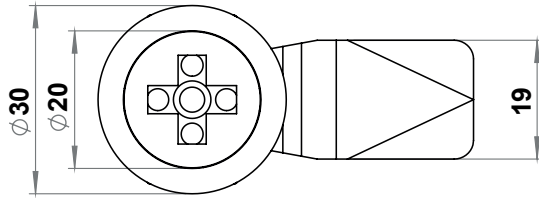
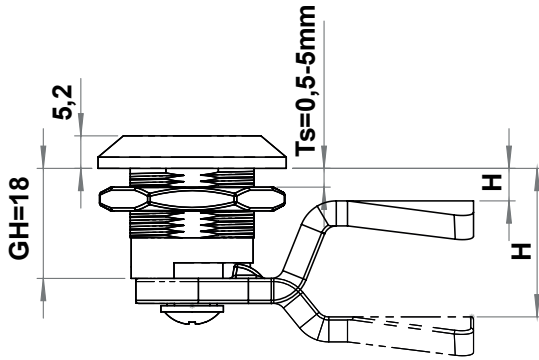
B Type



1011 - Wing Knob Locking GH=18

Plastic (PA)	Zinc die, Chrome Plated	Zinc die, Black coated
1071 - 200 - xxx	1075 - 310 - xxx	1075 - 320 - xxx

You may chose the XXX section from tables of cams with stoper.



Quarter Turns

MATERIAL

- Housing:** Zinc die, chrome Plated
- Insert :** Zinc die, chrome Plated
- Cap :** Zinc die, chrome Plated
- Nut :** Zinc die, zinc plated
- Cam :** Steel, zinc plated

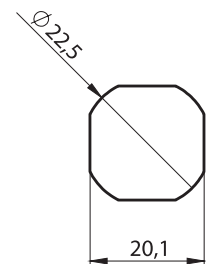
OPTIONS

Cams :


Keys



CUTOUT



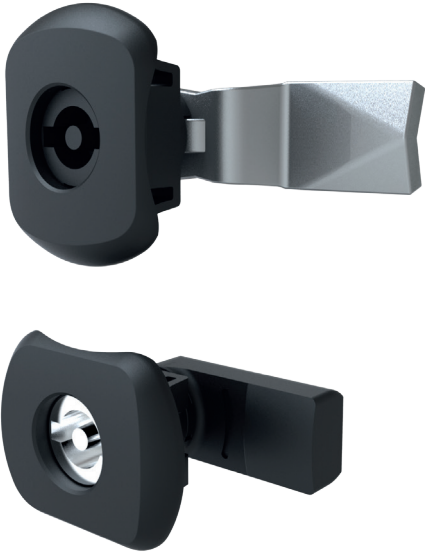
1822 - Quarter Turn GH=18

	Item Number	Lock	Key
	FIAT	1822 - 201 - xxx	1000 - 615

You may chose the XXX section from tables of cams with stoper.

IP 65  LH/RH RoHS

Quarter Turns



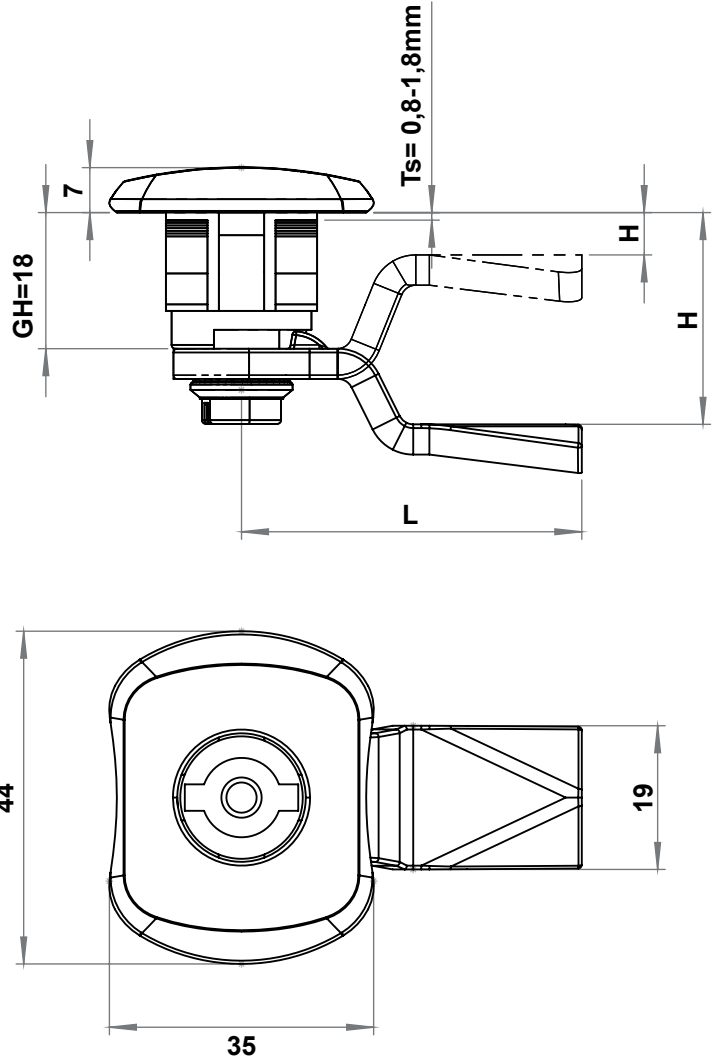
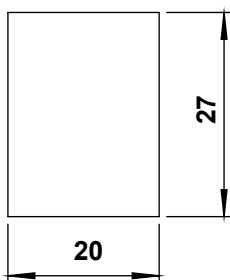
MATERIAL

Housing: Polyamide (PA6 GFR30), black
Insert : Polyamide (PA6 GFR30), black
Cam : Polyamide (PA6 GFR30), black
 Steel, zinc plated

OPTIONS

Cams :
Keys :

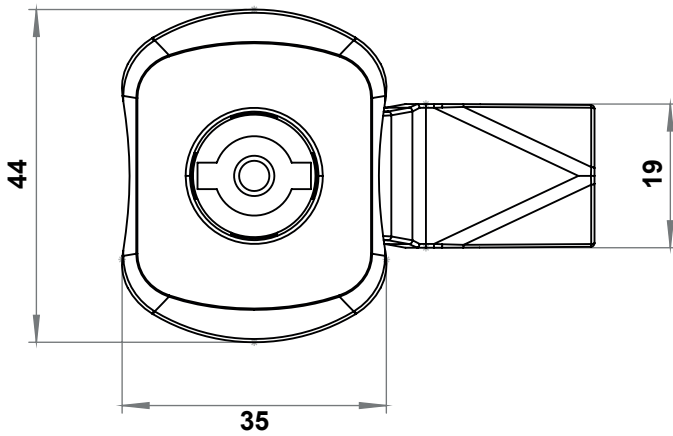
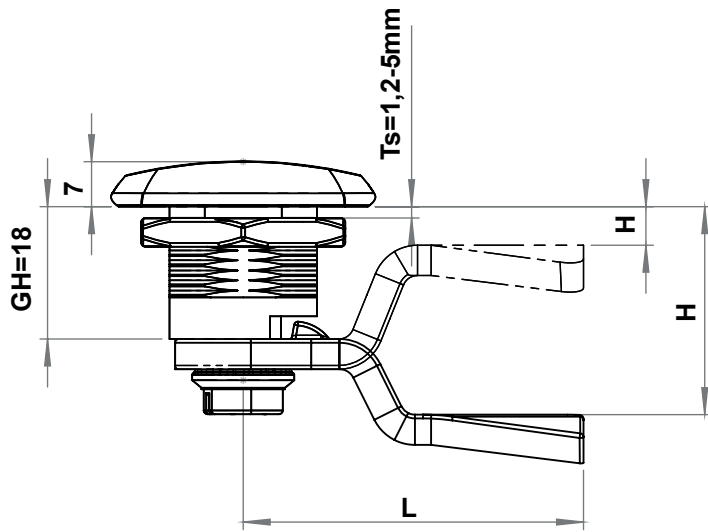
CUTOUT



1340 - Clip-In Quarter Turn

	Insert Types	Plastic (PA)
	Double Bit 3 mm	1340 - 101 - xxx
	Double Bit 5 mm	1340 - 102 - xxx
	Triangular 7 mm	1340 - 107 - xxx
	Triangular 8 mm	1340 - 103 - xxx
	Triangular 9 mm	1340 - 109 - xxx
	Square 6 mm	1340 - 115 - xxx
	Square 7 mm	1340 - 104 - xxx
	Square 8 mm	1340 - 105 - xxx
	Slotted	1340 - 108 - xxx
	Eastern Europe	1340 - 110 - xxx
	Hexagon 8	1340 - 106 - xxx

You may chose the XXX section from tables of cams with stoper.



Quarter Turns

MATERIAL

Housing: Polyamide (PA6 GFR30), black
Insert : Polyamide (PA6 GFR30), black / Zinc die chrome plated or black coated
Nut : Plastic
Cam : Plastic / Steel, zinc plated

OPTIONS

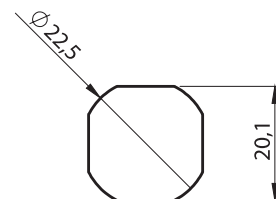
Cams :
Keys :

1345 - Self fingerpull Quarter Turn

	Insert Types	Plastic (PA)
	Double Bit 3 mm	1345 - 101 - xxx
	Double Bit 5 mm	1345 - 102 - xxx
	Triangular 7 mm	1345 - 107 - xxx
	Triangular 8 mm	1345 - 103 - xxx
	Triangular 9 mm	1345 - 109 - xxx
	Square 6 mm	1345 - 115 - xxx
	Square 7 mm	1345 - 104 - xxx
	Square 8 mm	1345 - 105 - xxx
	Slotted	1345 - 108 - xxx
	Eastern Europe	1345 - 110 - xxx
	Hexagon 8	1345 - 106 - xxx

You may chose the XXX section from tables of cams with stoper.

CUTOUT

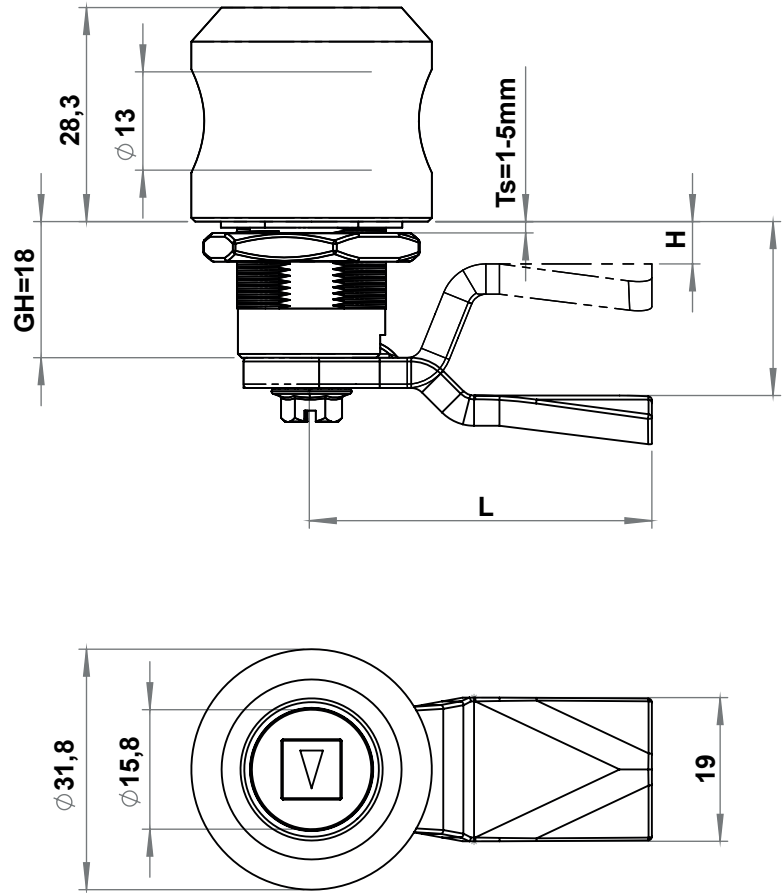


IP 65



LH/RH

RoHS



MATERIAL

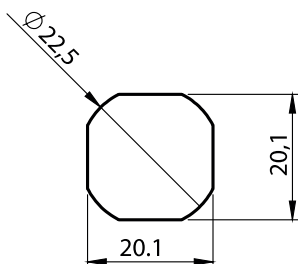
- Housing:** Zinc die, chrome plated or black coated
- Insert :** Zinc die, chrome plated or black coated
- Nut :** Zinc die, zinc plated
- Cam :** Steel, zinc plated

OPTIONS

- Cams :**
- Keys :**

* Stainless Steel version is available

CUTOUT

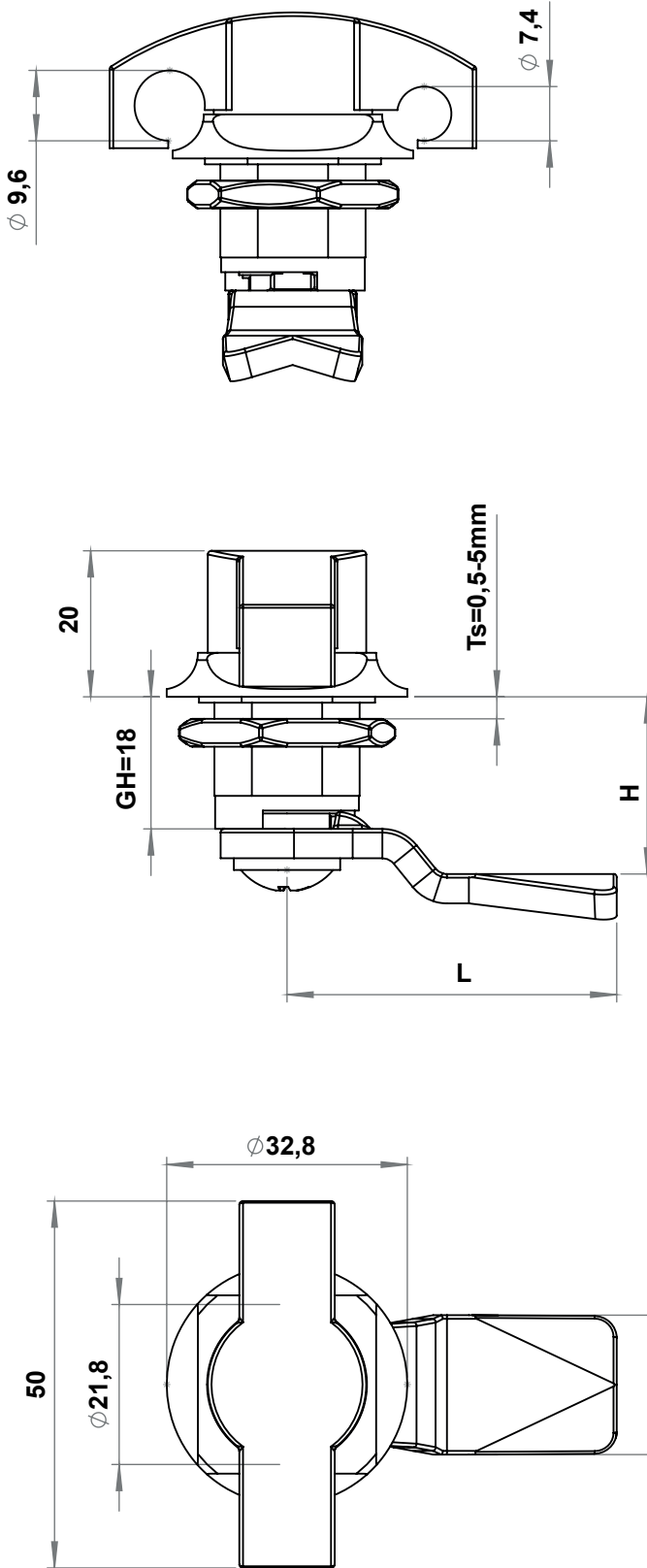


1320 - 1330 - Padlockable Quarter Turn GH=18

	Insert Types	Zinc die Chrome Plated	Zinc die Black Coated
	Double Bit 3 mm	1320 - 201 - xxx	1330 - 301 - xxx
	Double Bit 5 mm	1320 - 202 - xxx	1330 - 302 - xxx
	Triangular 7 mm	1320 - 207 - xxx	1330 - 307 - xxx
	Triangular 8 mm	1320 - 203 - xxx	1330 - 303 - xxx
	Triangular 9 mm	1320 - 209 - xxx	1330 - 309 - xxx
	Triangular 10 mm	1320 - 213 - xxx	1330 - 313 - xxx
	Triangular 10mm M5 Threaded	1320 - 216 - xxx	1330 - 316 - xxx
	Square 6 mm	1320 - 215 - xxx	1330 - 315 - xxx
	Square 7 mm	1320 - 204 - xxx	1330 - 304 - xxx
	Square 8 mm	1320 - 205 - xxx	1330 - 305 - xxx
	Square 8 Slotted	1320 - 211 - xxx	1330 - 311 - xxx
	Square 10mm	1320 - 222 - xxx	1330 - 322 - xxx
	Slotted	1320 - 208 - xxx	1330 - 308 - xxx
	Eastern Europe	1320 - 210 - xxx	1330 - 310 - xxx
	Hexagon 5 mm	1320 - 214 - xxx	1330 - 314 - xxx
	Hexagon 8 mm	1320 - 206 - xxx	1330 - 306 - xxx
	Fiat	1320 - 212 - xxx	1330 - 312 - xxx

You may chose the XXX section from tables of cams with stoper.





Quarter Turns

MATERIAL

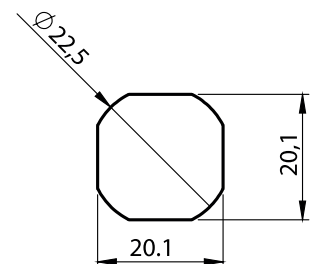
- Housing:** Zinc die, chrome plated or black coated
- Insert :** Zinc die, chrome plated or black coated
- Nut :** Zinc die, zinc plated
- Cam :** Steel, zinc plated

OPTIONS

- Cams :**
- Keys :**

* Stainless Steel version is available

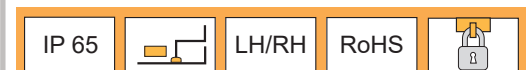
CUTOUT



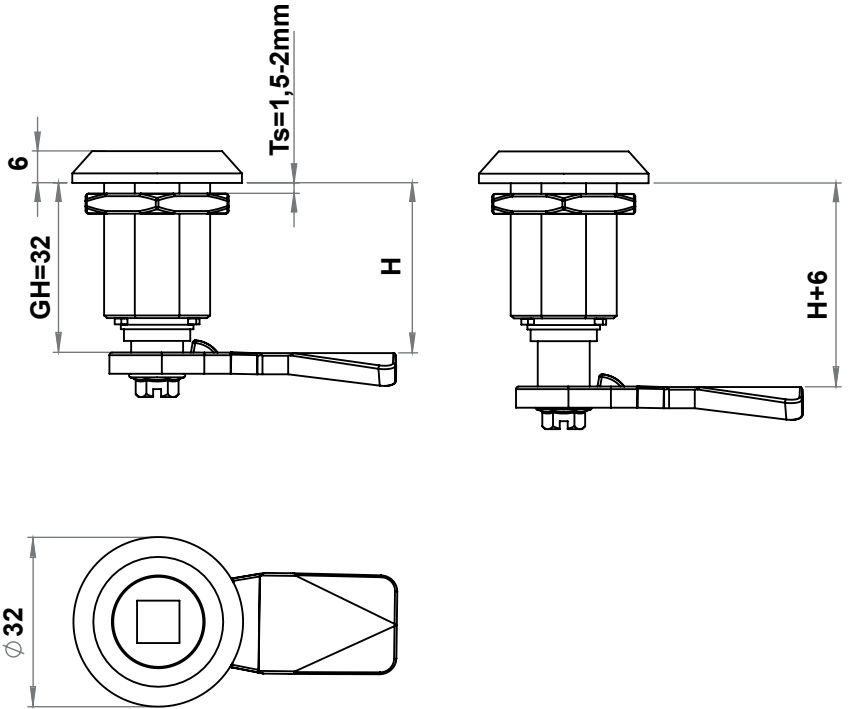
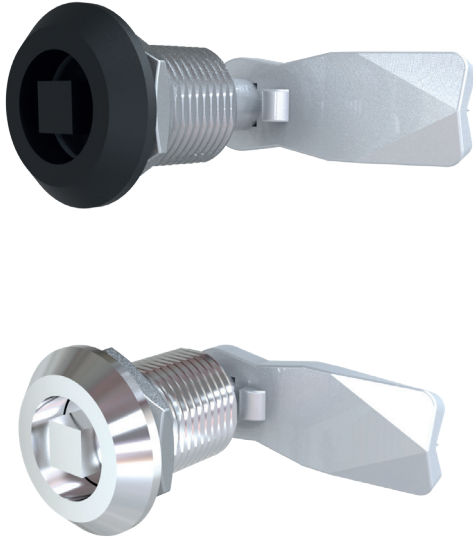
1550 - Padlockable Quarter Turn GH=18

	Zinc die Chrome Plated	Zinc die Black Coated
Item Number	1550-220-XXX	1550-210-XXX

You may chose the XXX section from tables of cams with stoper.



Quarter Turns



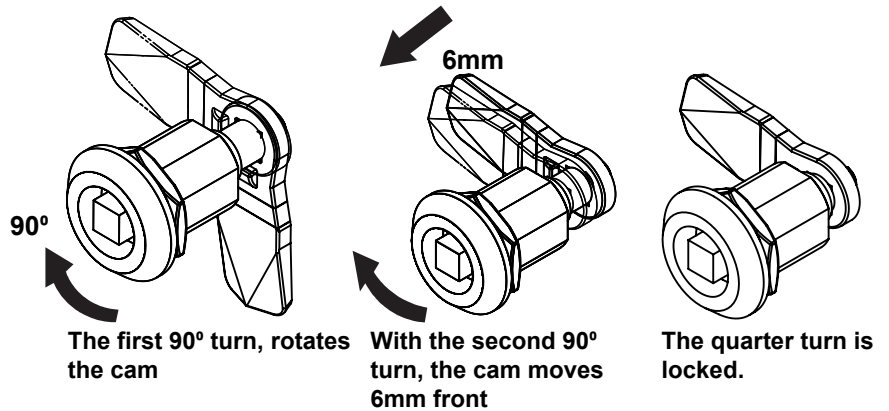
MATERIAL

- Housing:** Zinc die, chrome plated or black coated
- Insert :** Zinc die, chrome plated or black coated
- Nut :** Zinc die, zinc plated
- Cam :** Steel, zinc plated

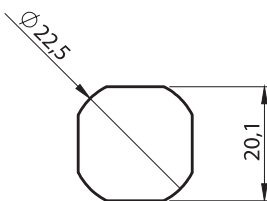
OPTIONS

- Cams :**
- Keys :**

* Stainless Steel version is available



CUTOUT

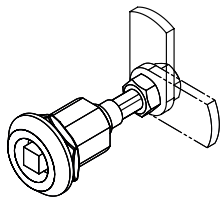
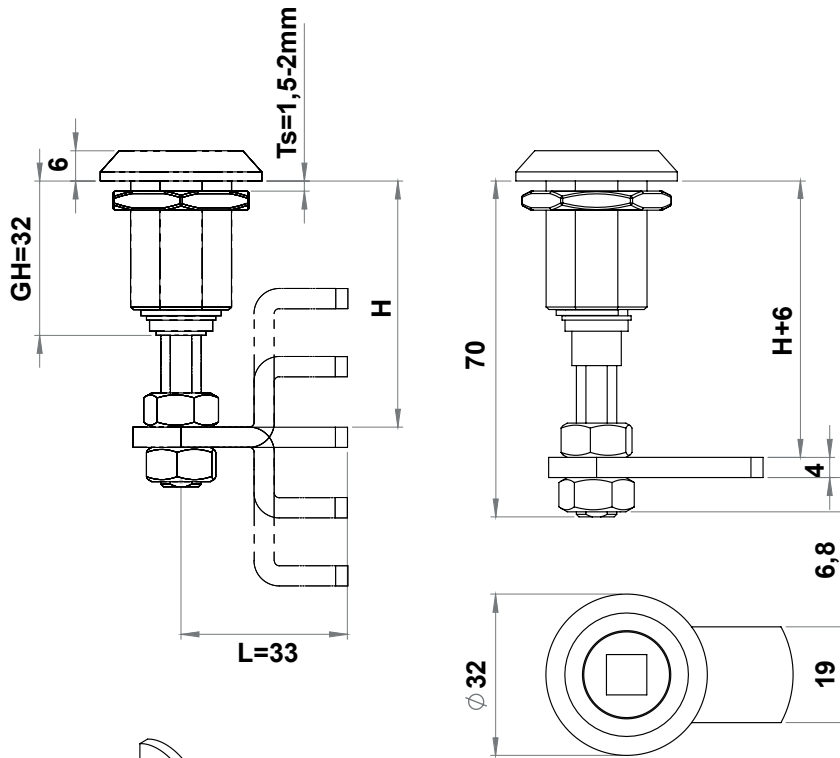


1044 - Compression Latch GH=33

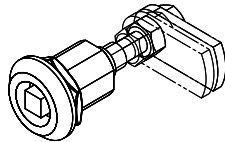
	Insert Types	Zinc die Chrome Plated	Zinc die Black Coated
	Double Bit 3 mm	1044 - 201 - xxx	1044 - 301 - xxx
	Double Bit 5 mm	1044 - 202 - xxx	1044 - 302 - xxx
	Tabular	1044 - 20T - xxx	1044 - 30T - xxx
	Triangular 8 mm	1044 - 203 - xxx	1044 - 303 - xxx
	Triangular 9 mm	1044 - 209 - xxx	1044 - 309 - xxx
	Square 7 mm	1044 - 204 - xxx	1044 - 304 - xxx
	Square 8 mm	1044 - 205 - xxx	1044 - 305 - xxx
	Slotted	1044 - 208 - xxx	1044 - 308 - xxx
	Eastern Europe	1044 - 210 - xxx	1044 - 310 - xxx
	Hexagon 8 mm	1044 - 206 - xxx	1044 - 306 - xxx

You may chose the XXX section from tables of cams with stoper.

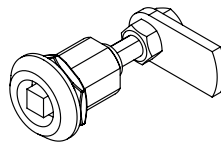
IP 65 LH/RH RoHS



The first 90° turn, rotates the cam



With the second 90° turn, the cam moves 6mm front



The quarter turn is locked.

Suitable Cams	Item Number	XXX	CH (mm)	L (mm)	H Min	H Max
	1900-941	941	0	33	41	58
	1900-942	942	14	33	27	72
	1900-943	943	27,5	33	13,5	85

1045 - Compression Latch

	Insert Types	Zinc die Chrome Plated	Zinc die Black Coated
	Double Bit 3 mm	1045 - 201 - xxx	1045 - 301 - xxx
	Double Bit 5 mm	1045 - 202 - xxx	1045 - 302 - xxx
	Tabular	1045 - 20T - xxx	1045 - 30T - xxx
	Triangular 8 mm	1045 - 203 - xxx	1045 - 303 - xxx
	Triangular 9 mm	1045 - 209 - xxx	1045 - 309 - xxx
	Square 7 mm	1045 - 204 - xxx	1045 - 304 - xxx
	Square 8 mm	1045 - 205 - xxx	1045 - 305 - xxx
	Slotted	1045 - 208 - xxx	1045 - 308 - xxx
	Eastern Europe	1045 - 210 - xxx	1045 - 310 - xxx
	Hexagon 8 mm	1045 - 206 - xxx	1045 - 306 - xxx

You may chose the XXX section, on the side of the page.



Quarter Turns

MATERIAL

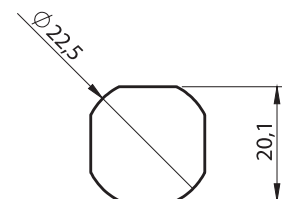
- Housing:** Zinc die, chrome plated or black coated
- Insert :** Zinc die, chrome plated or black coated
- Nut :** Zinc die, zinc plated
- Cam :** Steel, zinc plated

OPTIONS

- Cams :**
- Keys :**

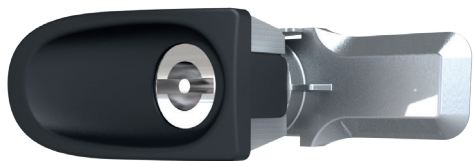
* Stainless Steel version is available

CUTOUT

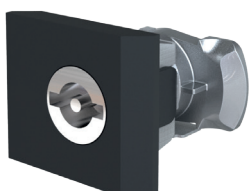


IP 65 LH/RH RoHS

1380

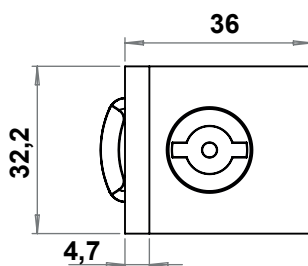


1370

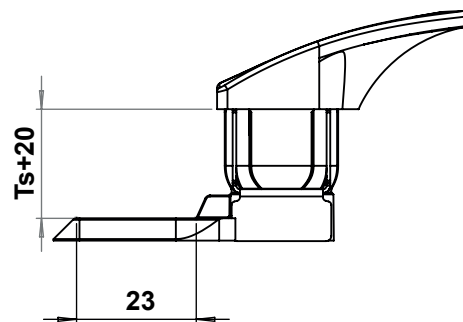
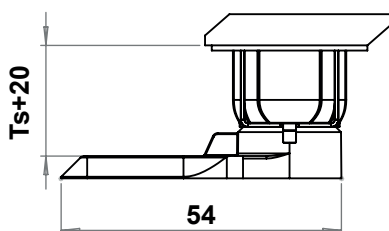
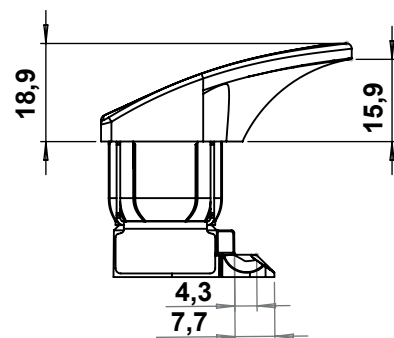
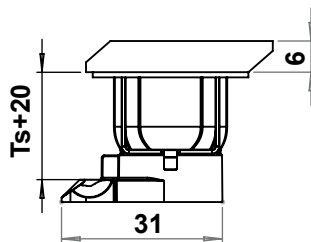
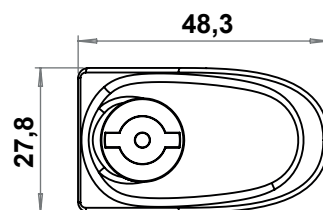


Quarter Turns

Flat Model



Fingerpull Model



MATERIAL

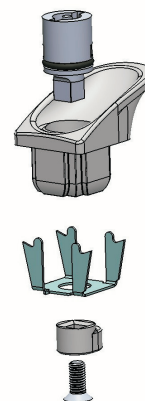
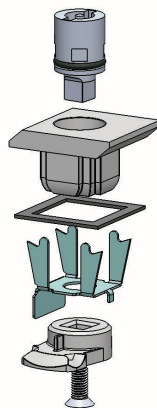
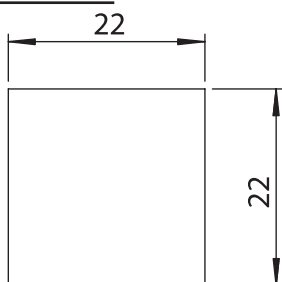
- Housing : Polyamide (PA6 GFR30), black
- Insert : Zinc die, zinc plated
- Cam : Zinc die, zinc plated
- Assembly Bracket : Stainless Steel

OPTIONS

Contact with Elkomsan for your special cam requests

Note: Because of the assembly method, the lock is shipped unassembled.

CUTOUT



1370 - Quarter Turn for Outside the Gasket

	Insert Types	1370 - Flat Model		1380 - Fingerpull Model	
		Short Cam	Long Cam	Short Cam	Long Cam
	Double Bit 3 mm	1370-201-100	1370-201-200	1380-201-100	1380-201-200
	Double Bit 5 mm	1370-202-100	1370-202-200	1380-202-100	1380-202-200
	Triangular 8 mm	1370-203-100	1370-203-200	1380-203-100	1380-203-200
	Triangular 9 mm	1370-209-100	1370-209-200	1380-209-100	1380-209-200
	Square 7 mm	1370-204-100	1370-204-200	1380-204-100	1380-204-200
	Square 8 mm	1370-205-100	1370-205-200	1380-205-100	1380-205-200

LH/RH

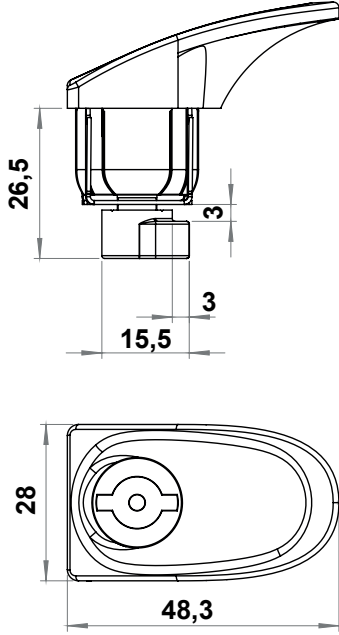
RoHS



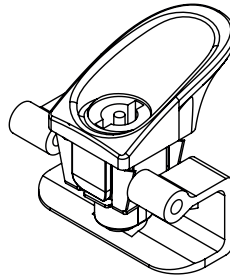
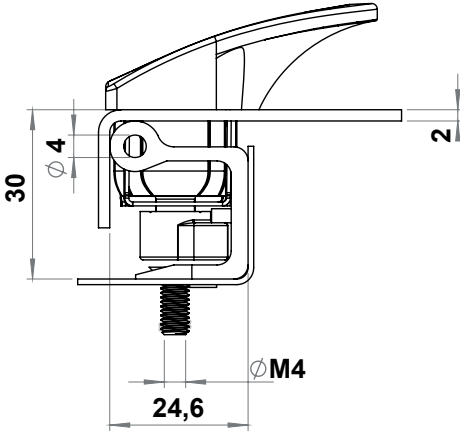
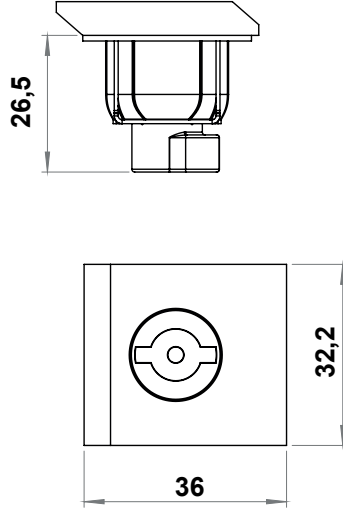
IP 55

IP 65

Fingerpull Model



Flat Model



Quarter Turns

MATERIAL

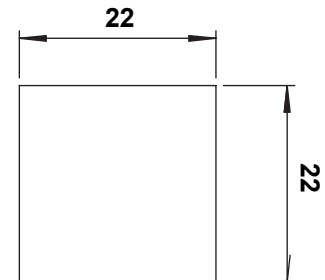
- Housing** : Polyamide (PA6 GFR30), black
Insert : Zinc die, zinc plated
Cam : Zinc die, zinc plated
Assembly
Bracket : Stainless Steel

OPTIONS

3094 Hinge

- Bu ürünler özel bir kullanımda 3095 menteşeyle beraber kullanılabilir. Bu durumda kilit conta dışında çalışır. Menteşe; kilit karşılığı olarak kullanıldığından, kapı kolayca sağ sol kullanıma uygun hale getirilir.
- Bu uygulamada menteşeden 4 adet, kilitten 2 adet kullanılması gerekmektedir.
- Montaj yapısı sebebiyle demonte sevk edilmektedir.
- Menteşeyi ayrı sipariş ediniz.

CUTOUT



1380 - Quarter Turn for Outside the Gasket

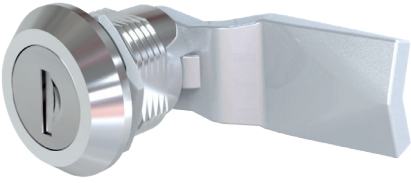
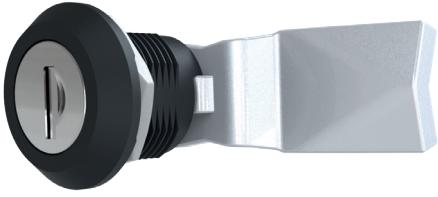
	Insert Types	1370 - Flat Model	1380 - Fingerpull Model
	Double Bit 3 mm	1370 - 201 - 300	1380 - 201 - 300
	Double Bit 5 mm	1370 - 202 - 300	1380 - 202 - 300
	Triangular 8 mm	1370 - 203 - 300	1380 - 203 - 300
	Triangular 9 mm	1370 - 209 - 300	1380 - 209 - 300
	Square 7 mm	1370 - 204 - 300	1380 - 204 - 300
	Square 8 mm	1370 - 205 - 300	1380 - 205 - 300

IP 65



LH/RH

RoHS



MATERIAL

Housing: Polyamide (PA6 GFR30), black /
Zinc die chrome plated or black coated

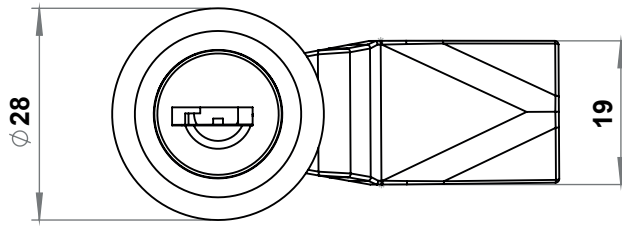
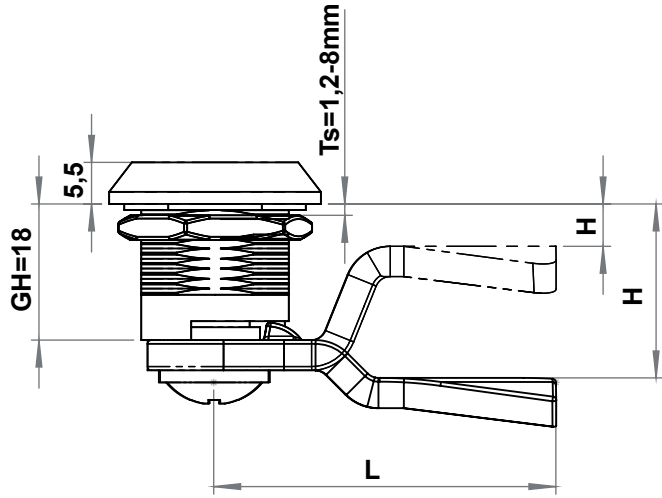
Nut : Plastik / Zinc die, zinc plated

Cam : Plastik / Steel, zinc plated

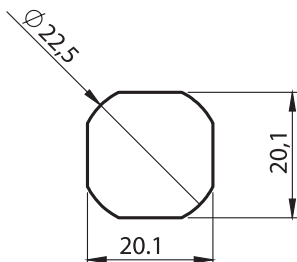
OPTIONS

Cams :

* Stainless Steel version is available



CUTOUT

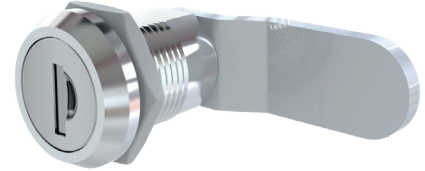
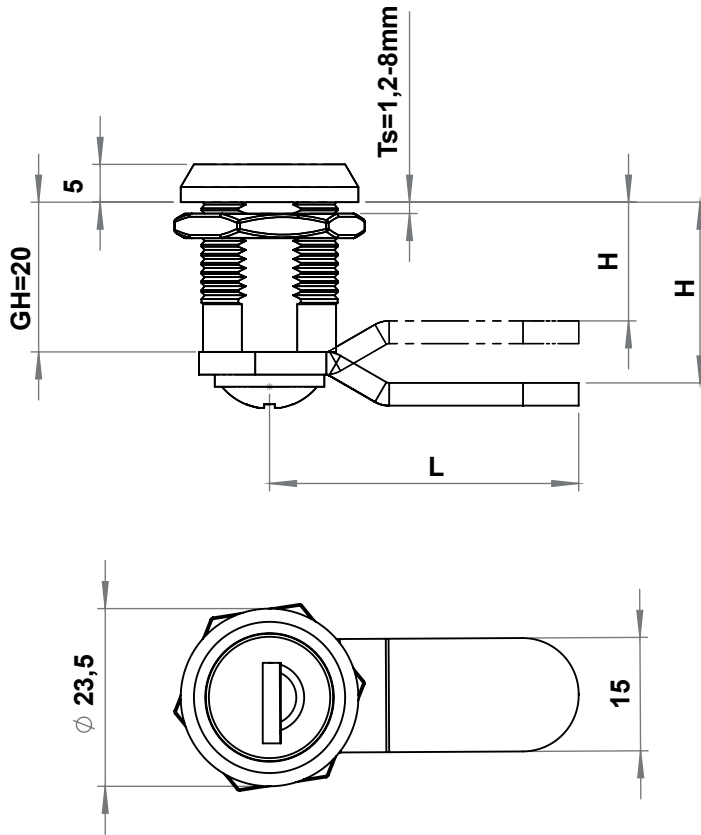


1001 - Keyed Quarter Turn GH=18

	Plastic (PA)	Zinc die, Chrome Plated	Zinc die, Black Coated
Keyed 3333	1001 - 900 - xxx	1011 - 910 - xxx	1011 - 920 - xxx
Keyed Same	1001 - 907 - xxx	1011 - 917 - xxx	1011 - 927 - xxx
Keyed Differ	1001 - 909 - xxx	1011 - 919 - xxx	1011 - 929 - xxx

You may chose the XXX section from tables of cams with stoper.





Quarter Turns

MATERIAL

Housing: Zinc die, chrome plated or black coated

Nut : Zinc die, zinc plated

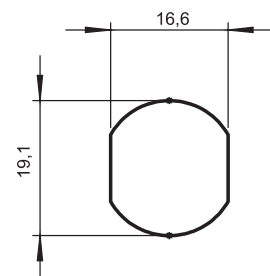
Cam : Steel, zinc plated

OPTIONS

Cams :

Stock Code	XXX	CH	L	GH=20
1900-512,7	512,7	-7,3	20	12,7
1900-516,5	516,5	-3,5	34	16,5
1900-520S1	520S1	0	32	20
1900-520	520	0	35	20
1900-520S	520S	0	45	20
1900-522	522	2	35	22
1900-523,5	523,5	3,5	39	23,5
1900-527	527	7	42	27

CUTOUT



1004 - Keyed Quarter Turn GH=20

	Zinc die, Chrome Plated	Zinc die, Black Coated
Keyed 3333	1004 - 910 - xxx	1004 - 920 - xxx
Keyed Same	1004 - 917 - xxx	1004 - 927 - xxx
Keyed Differ	1004 - 919 - xxx	1004 - 929 - xxx

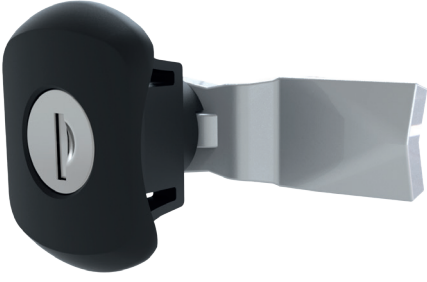
You may chose the XXX section, on the side of the page.

IP 44



LH/RH

RoHS



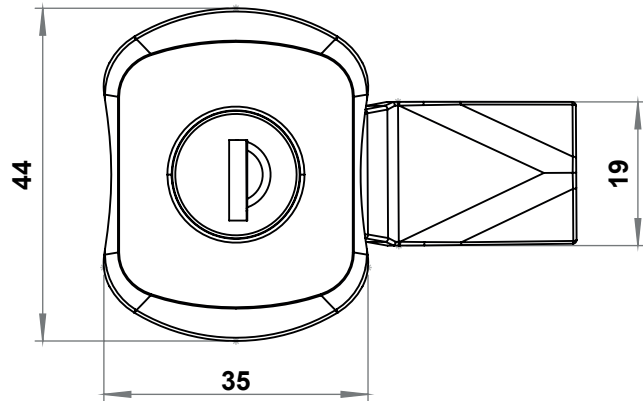
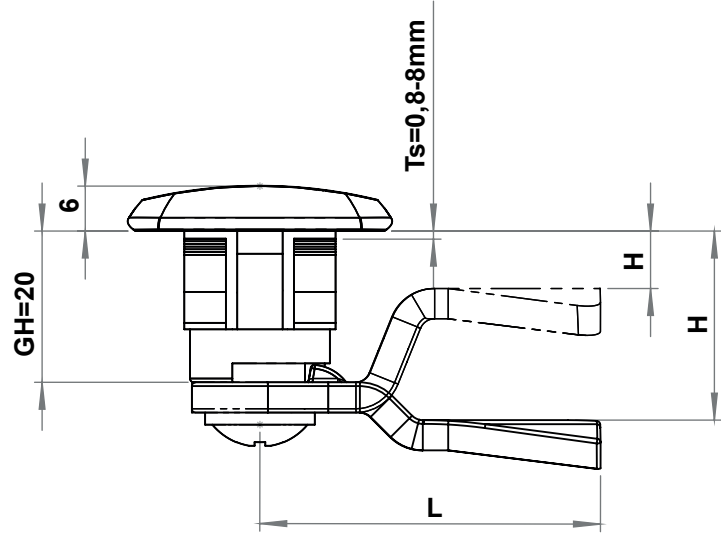
Quarter Turns

MATERIAL

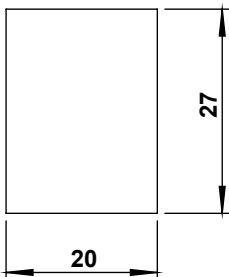
Housing: Polyamide (PA6 GFR30), black
Cam : Steel, zinc plated /
Polyamide (PA6 GFR30)

OPTIONS

Cams :



CUTOUT



1350 - Self fingerpull, Easy Assembly Keyed Quarter Turn GH=20

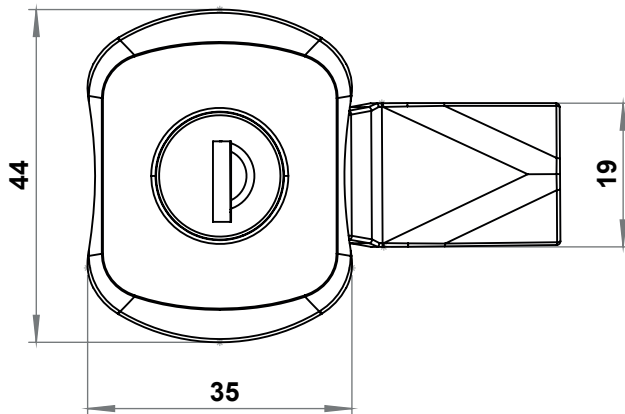
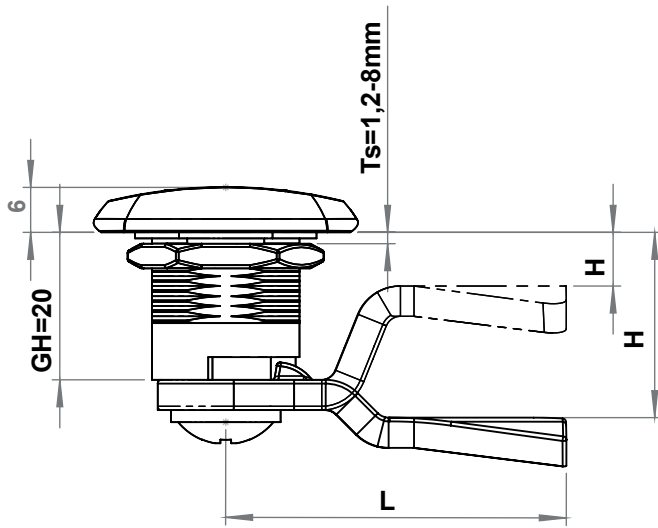
	Plastic (PA)
Keyed 3333	1350 - 900 - xxx
Keyed Same	1350 - 917 - xxx
Keyed Differ	1350 - 919 - xxx

You may chose the XXX section from tables of cams with stoper.



LH/RH

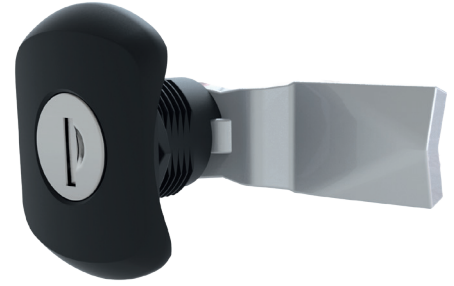
RoHS



1355 - Self fingerpull Keyed Quarter Turn

	Plastic (PA)
Keyed 3333	1355 - 900 - xxx
Keyed Same	1355 - 917 - xxx
Keyed Differ	1355 - 919 - xxx

You may chose the XXX section from tables of cams with



Quarter Turns

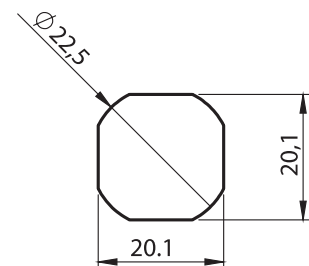
MATERIAL

Housing: Polyamide (PA6 GFR30), black
Nut : Polyamide (PA6 GFR30), black
Cam : Steel, zinc plated / Polyamide (PA6 GFR30)

OPTIONS

Cams :

CUTOUT



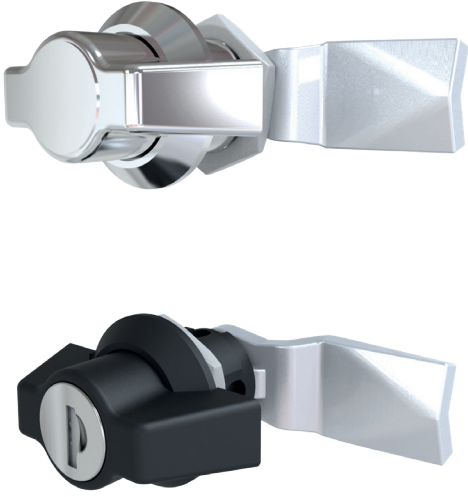
IP 65



LH/RH

RoHS

Quarter Turns



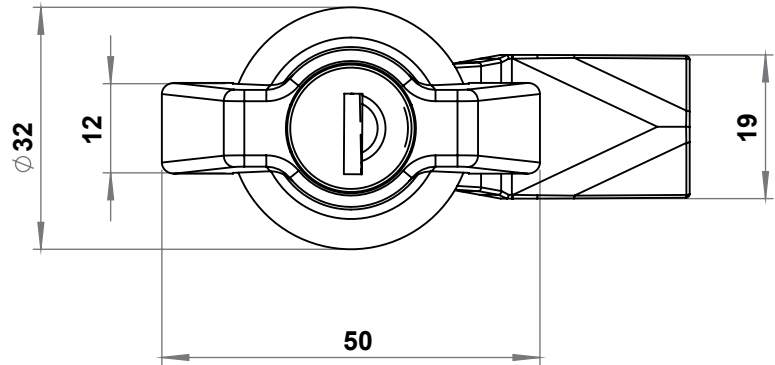
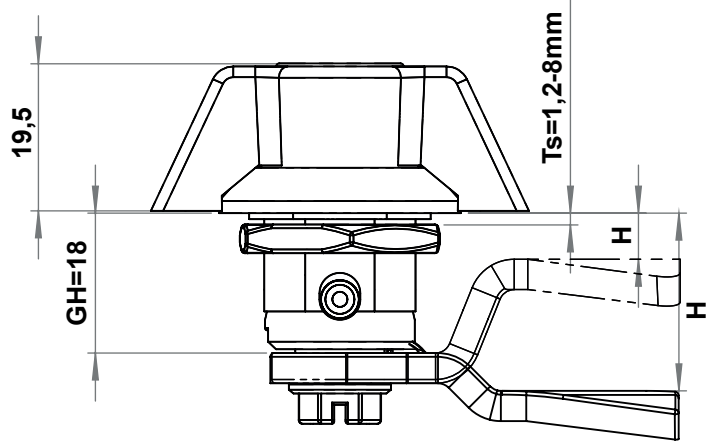
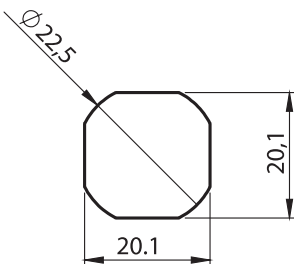
MATERIAL

- Housing:** Zinc die, chrome plated or black coated
- Wing knob:** Zinc die chrome or black coated
PA over zinc die
- Nut** : Zinc die, zinc plated
- Cam** : Steel, zinc plated

OPTIONS

- Cams** :
- * Stainless Steel version is available

CUTOUT

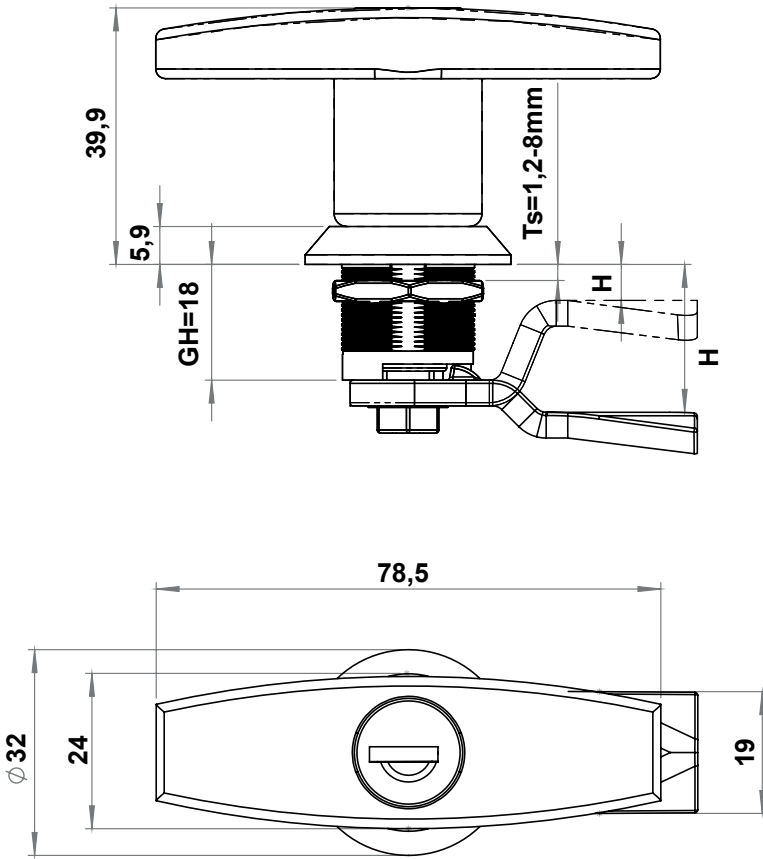


1015 - Keyed Wing Knob GH=18

	PA over Zinc Die	Zinc die, Chrome plated	Zinc die, Black coated
Non-locking	1015 - 100 - xxx	1015 - 210 - xxx	1015 - 220 - xxx
Keyed 3333	1015 - 900 - xxx	1015 - 910 - xxx	1015 - 920 - xxx
Birbirini Açmayan	1015 - 909 - xxx	1015 - 919 - xxx	1015 - 929 - xxx

You may chose the XXX section from tables of cams with stoper.





Quarter Turns

MATERIAL

- Housing:** Zinc die, chrome plated or black coated
- T kol :** Zinc die, chrome plated or black coated / PA over zinc die
- Nus :** Zinc die, zinc plated
- Cam :** Steel, zinc plated

OPTIONS

Cams :

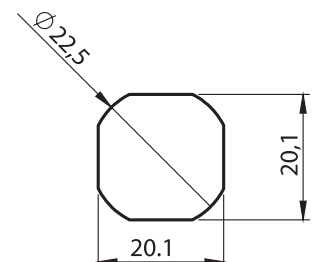
* Stainless Steel version is available

1201 - T Handle Quarter Turn GH=18

	PA over Zinc Die	Zinc die, Chrome plated	Zinc die, Black coated
Non-locking	1201 - 000 - xxx	1201 - 200 - xxx	1201 - 100 - xxx
Keyed 3333	1201 - 003 - xxx	1201 - 203 - xxx	1201 - 103 - xxx

You may chose the XXX section from tables of cams with stoper.

CUTOUT



IP 65



LH/RH

RoHS

Quarter Turns



MATERIAL

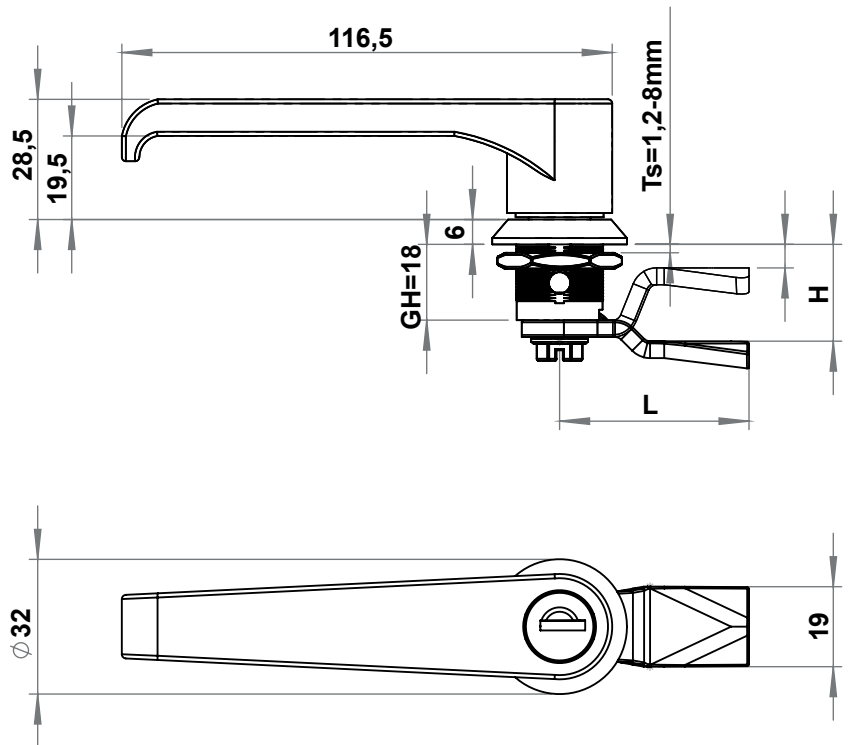
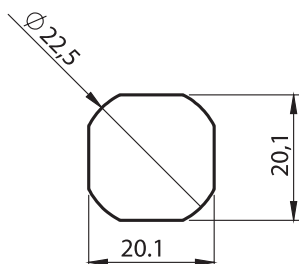
- Housing:** Zinc die, Chrome Plated or black coated
- L Handle:** Zinc die, Chrome Plated or Black coated, PA over Zinc Die
- Nut** : Zinc die, zinc plated
- Cam** : Steel, zinc plated

* Stainless Steel version is available

OPTIONS

Cams :

CUTOUT

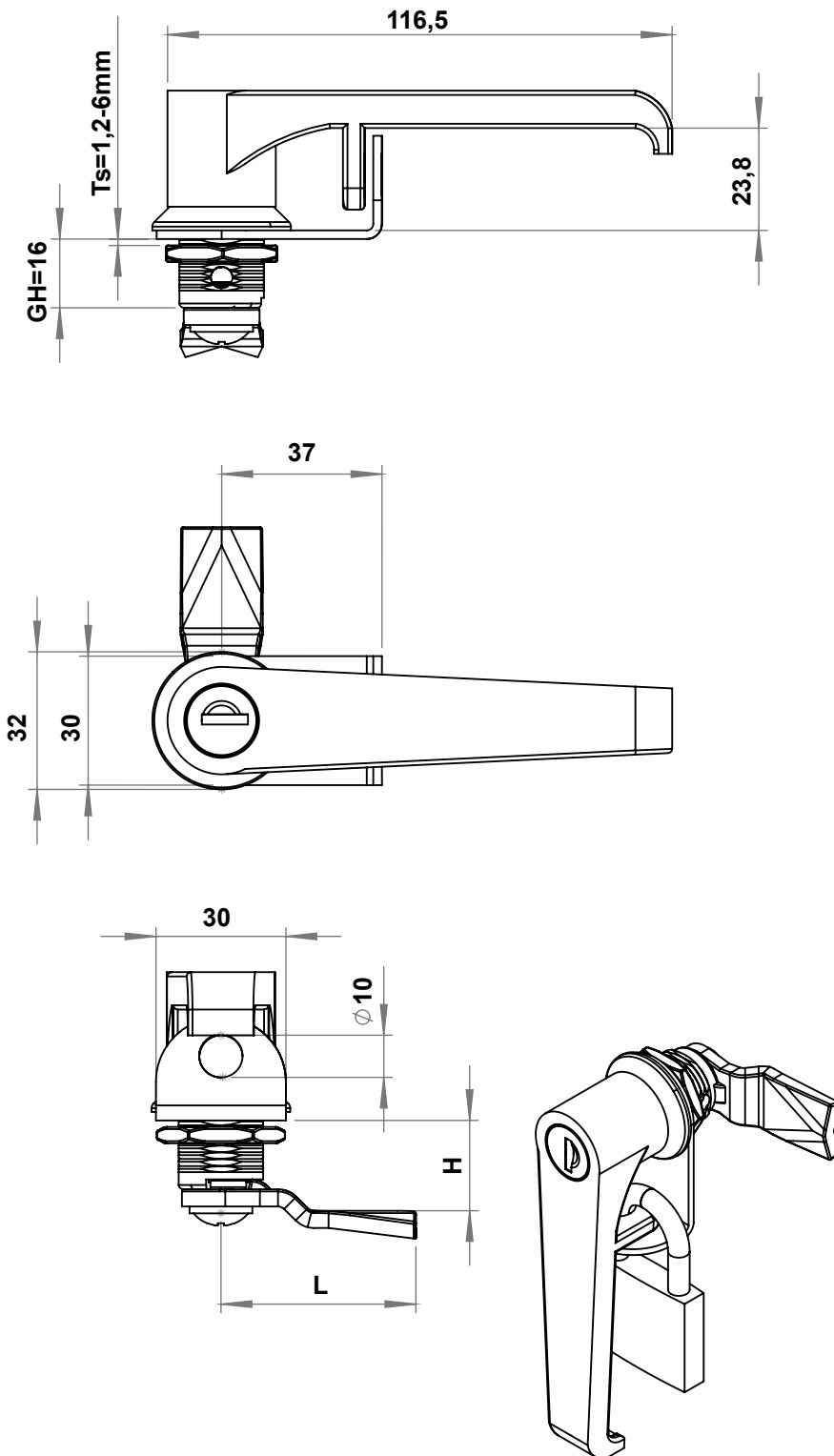


1205 - L Handle Quarter Turn GH=18

	PA over Zinc Die	Zinc die, Chrome plated	Zinc die, Black coated
Non-locking	1205 - 000 - xxx	1205 - 200 - xxx	1205 - 100 - xxx
Keyed 3333	1205 - 003 - xxx	1205 - 203 - xxx	1205 - 103 - xxx

You may chose the XXX section from tables of cams with stoper.





Quarter Turns

MATERIAL

Housing: Zinc die, chrome plated or black coated

L handle: Zinc die, chrome plated or black coated

Nut : Zinc die, zinc plated

Cam : Steel, zinc plated

Padlockable part: Steel, black coated

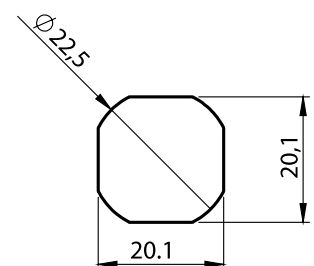
OPTIONS

Cams :

Keys :

* Due to the padlock part GH = 16mm.

CUTOUT



1205 - Padlockable, L Handle Quarter Turn GH=16

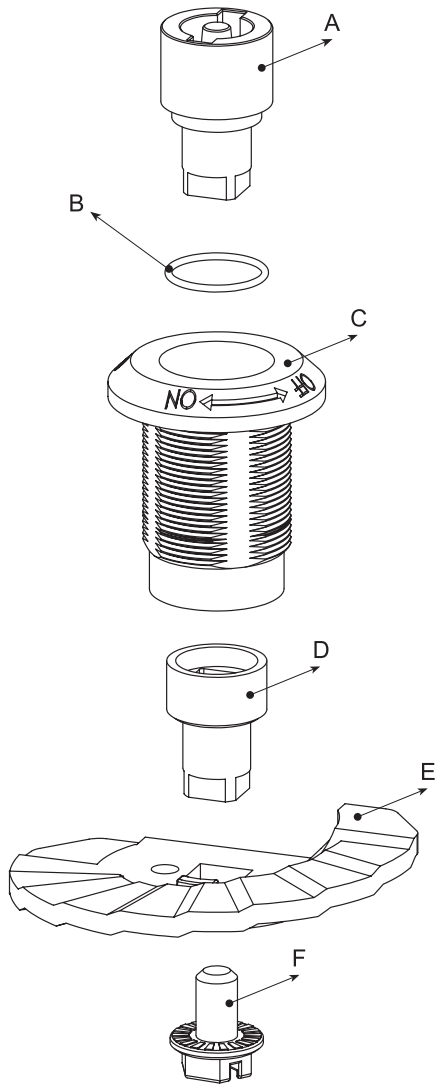
	Zinc die, Chrome plated	Zinc die, Black coated
Non-locking	1205 - 230 - xxx	1205 - 130 - xxx
Keyed 3333	1205 - 233 - xxx	1205 - 133 - xxx

You may chose the XXX section from tables of cams with stoper.

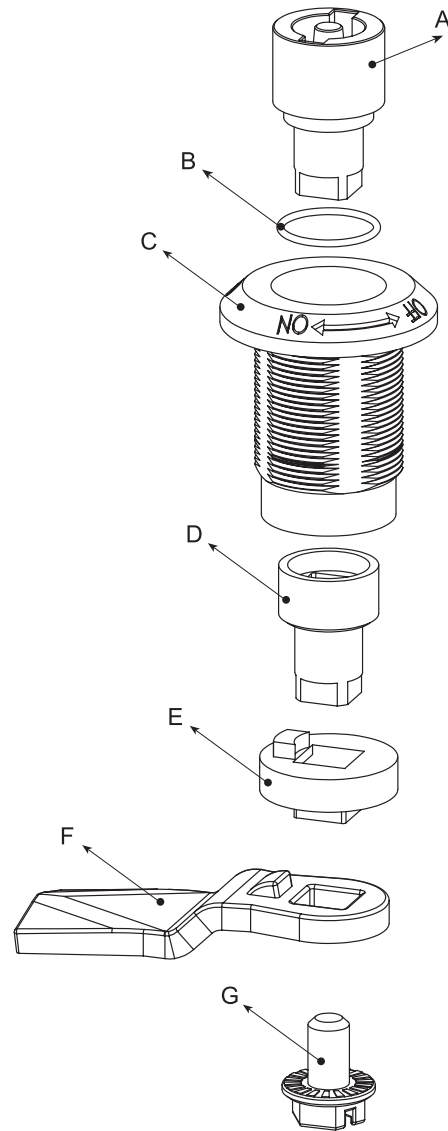


ASSEMBLY

Stepped Cam



Standard Cam

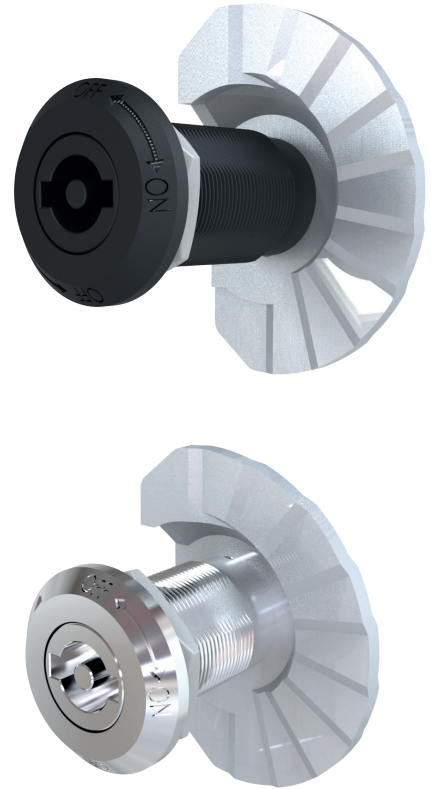
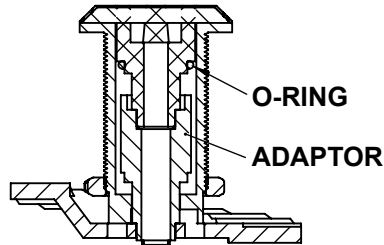
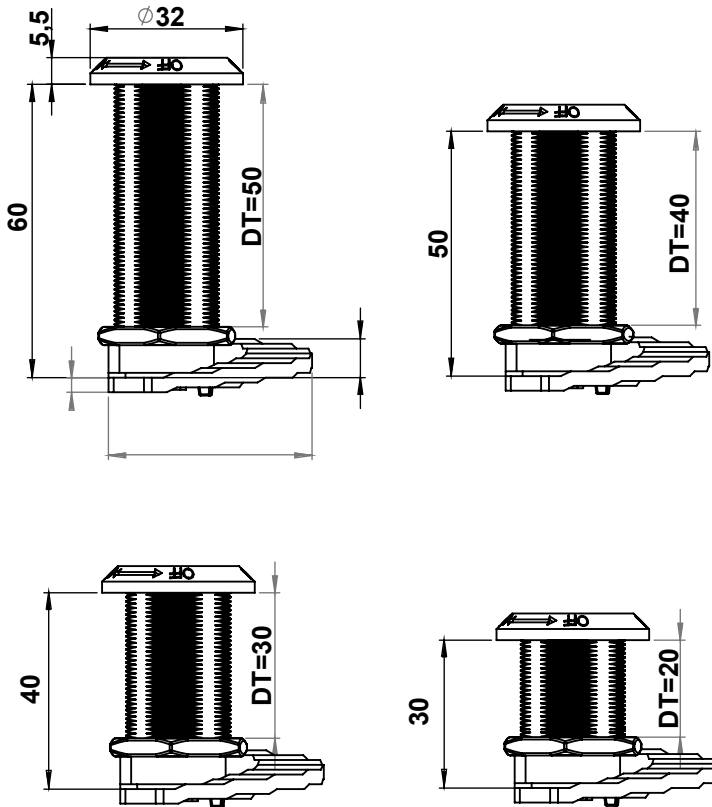


1020

- A : Insert (Zinc die)
- B : O'ring
- C : Housing (Zinc die)
- D : Adapter (Zinc die)
- E : Stepped Cam (Zinc die)
- F : Screw

1120

- A : Insert (Zinc die)
- B : O'ring
- C : Housing (Zinc die)
- D : Adapter (Zinc die)
- E : Adapter (Zinc die)
- F : Cam (Steel)
- G : Screw



MATERIAL

- Housing:** Zinc die, chrome plated or black coated
- Insert :** Zinc die, chrome plated or black coated
- Cam :** Zinc die, zinc plated.

OPTIONS

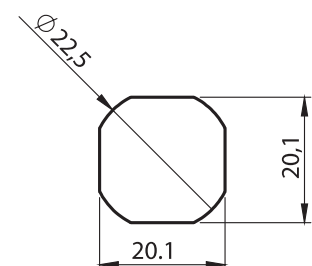
Cams :

1020 - High Body, Stepped Lock - Zinc die, Chrome Plated

	Insert Types	GH=30	GH=40	GH=50	GH=60
	Double Bit 3 mm	1023 - 201	1024 - 201	1025 - 201	1026 - 201
	Double Bit 5 mm	1023 - 202	1024 - 202	1025 - 202	1026 - 202
	Triangular 8 mm	1023 - 203	1024 - 203	1025 - 203	1026 - 203
	Triangular 9 mm	1023 - 209	1024 - 209	1025 - 209	1026 - 209
	Square 7 mm	1023 - 204	1024 - 204	1025 - 204	1026 - 204
	Square 8 mm	1023 - 205	1024 - 205	1025 - 205	1026 - 205
	Slotted	1023 - 208	1024 - 208	1025 - 208	1026 - 208
	Eastern Europe	1023 - 210	1024 - 210	1025 - 210	1026 - 210

For the black coated versions, the fifth digit of the code should be 3 instead of 2. Example 1025 - 302

CUTOUT



IP 65 LH/RH RoHS

Quarter Turns



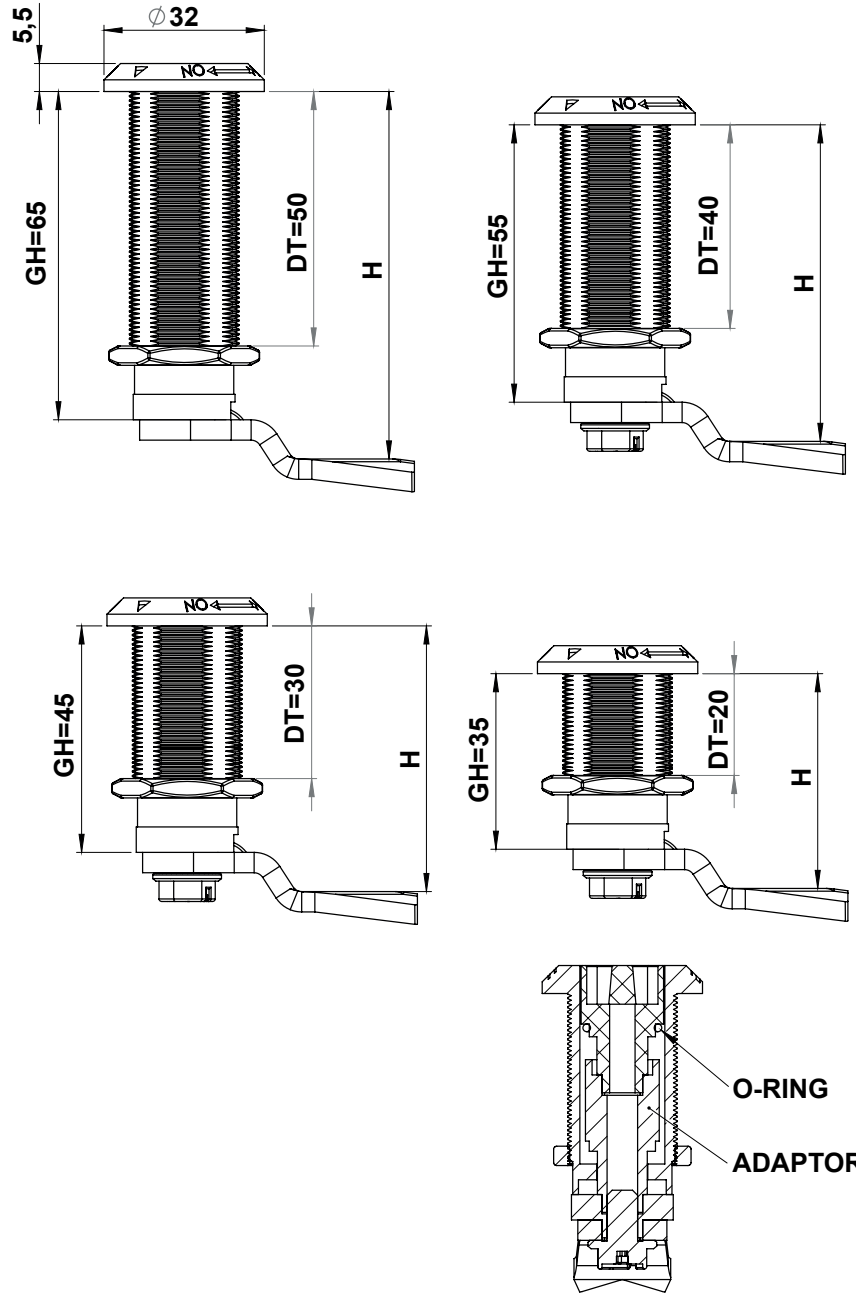
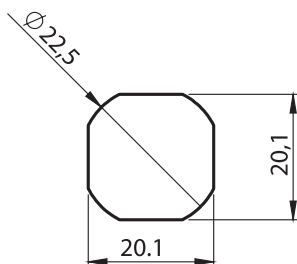
MATERIAL

- Housing:** Zinc die, Chrome Plated or black coated
- Insert :** Zinc die, Chrome Plated or black coated
- Cam :** Zinc die, zinc plated.

OPTIONS

- Cams :**
- Keys :**

CUTOUT



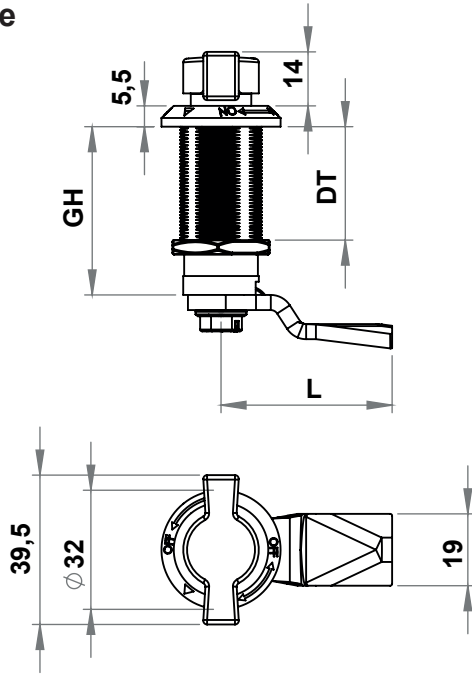
1120 - High Body Lock - Zinc die, Chrome Plated

	Insert Types	GH=35	GH=45	GH=55	GH=65
	Double Bit 3 mm	1123 - 201 - xxx	1124 - 201 - xxx	1125 - 201 - xxx	1126 - 201 - xxx
	Double Bit 5 mm	1123 - 202 - xxx	1124 - 202 - xxx	1125 - 202 - xxx	1126 - 202 - xxx
	Triangular 8 mm	1123 - 203 - xxx	1124 - 203 - xxx	1125 - 203 - xxx	1126 - 203 - xxx
	Triangular 9 mm	1123 - 209 - xxx	1124 - 209 - xxx	1125 - 209 - xxx	1126 - 209 - xxx
	Square 7 mm	1123 - 204 - xxx	1124 - 204 - xxx	1125 - 204 - xxx	1126 - 204 - xxx
	Square 8 mm	1123 - 205 - xxx	1124 - 205 - xxx	1125 - 205 - xxx	1126 - 205 - xxx
	Slotted	1123 - 208 - xxx	1124 - 208 - xxx	1125 - 208 - xxx	1126 - 208 - xxx
	Eastern Europe	1123 - 210 - xxx	1124 - 210 - xxx	1125 - 210 - xxx	1126 - 210 - xxx

For the black coated versions, the fifth digit of the code should be 3 instead of 2. Example 1125 - 302 - xxx

IP 65 LH/RH RoHS

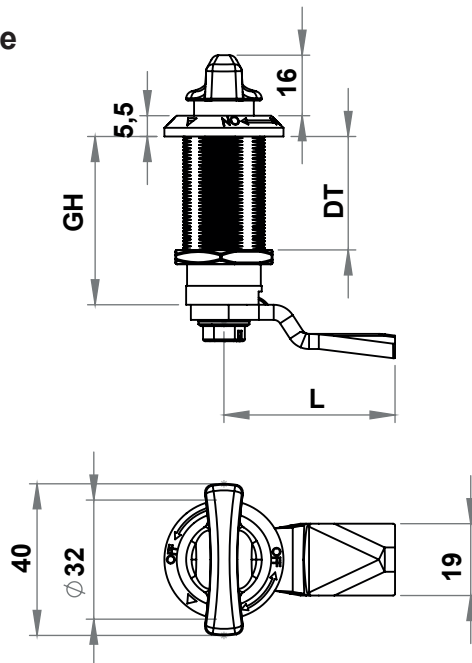
A Type



GH	DT	Wing knob PA over Zinc Die	Wing knob Plastic (PA)
35	20	1123 - 265 - xxx	1123 - 267 - xxx
45	30	1124 - 265 - xxx	1124 - 267 - xxx
55	40	1125 - 265 - xxx	1125 - 267 - xxx
65	50	1126 - 265 - xxx	1126 - 267 - xxx

You may chose the XXX section from tables of cams with stoper.
* Housing Zinc die, black coated.

B Type



GH	DT	Wing knob Zinc die Chrome Plated	Wing knob Plastic (PA)
35	20	1123 - 276 - xxx	1123 - 277 - xxx
45	30	1124 - 276 - xxx	1124 - 277 - xxx
55	40	1125 - 276 - xxx	1125 - 277 - xxx
65	50	1126 - 276 - xxx	1126 - 277 - xxx

You may chose the XXX section from tables of cams with stoper.



Quarter Turns

MATERIAL

Housing: Zinc die, chrome plated or black coated

Insert : Zinc die, chrome plated or black coated

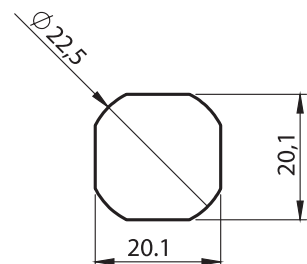
Cam : Zinc die, zinc plated.

OPTIONS

Cams :

Keys :

CUTOUT



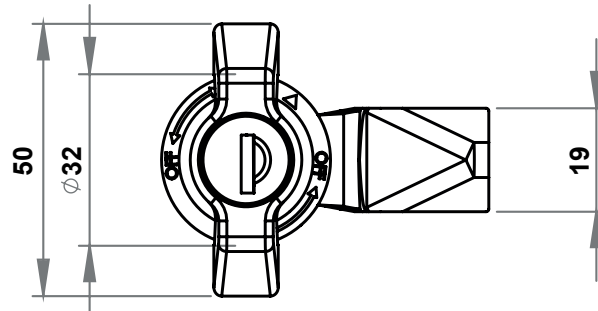
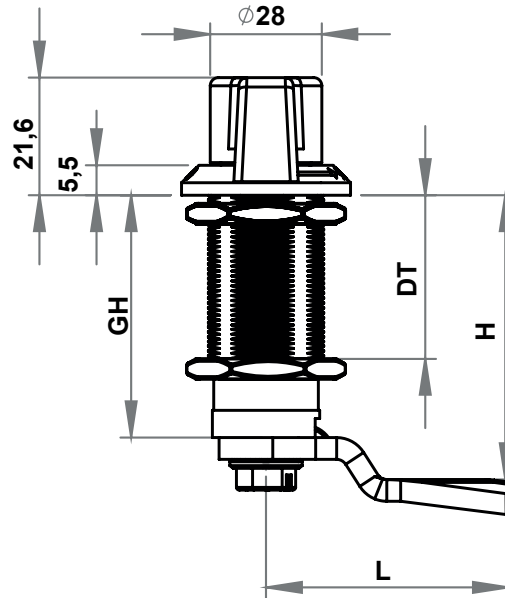
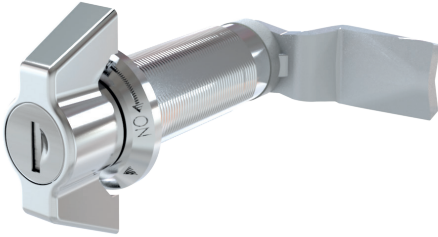
IP 65



LH/RH

RoHS

Quarter Turns



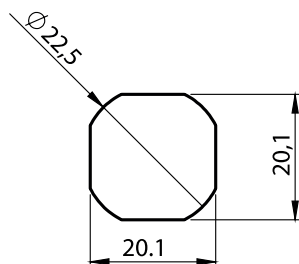
MATERIAL

- Housing** : Zinc die, chrome plated or black coated
- Wing knob** : Zinc die, chrome plated or black coated
- Nut** : Zinc die, zinc plated
- Cam** : Steel, zinc plated

OPTIONS

- Cams** :
- Keys** :

CUTOUT

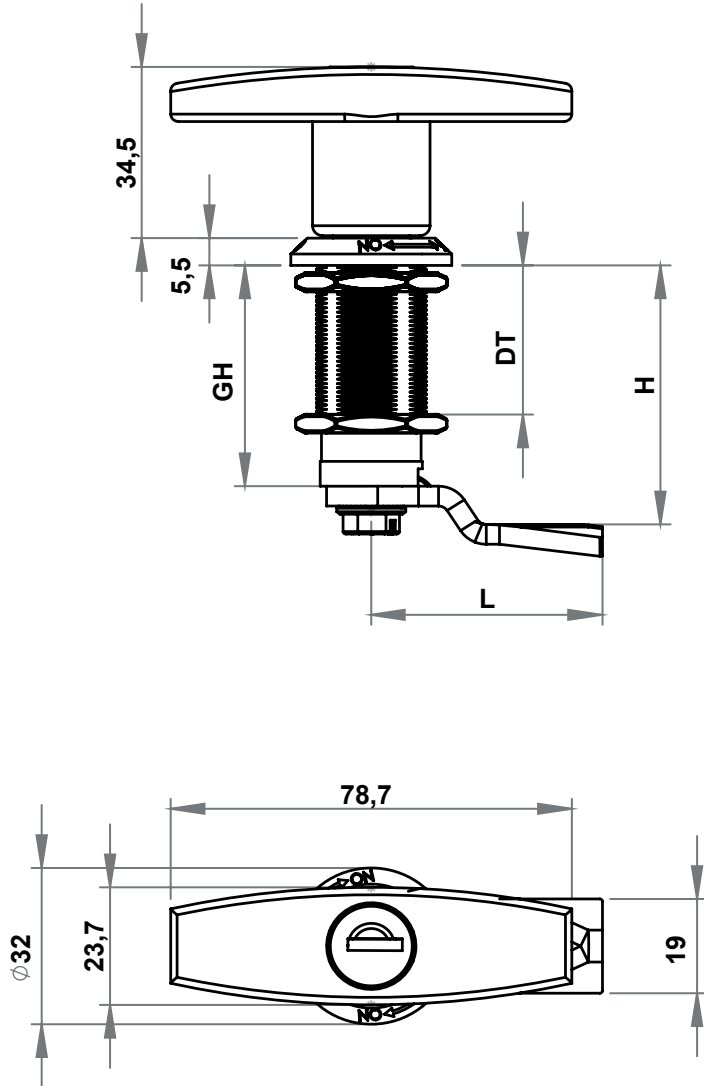


1015 - High Body Locking Wing Knob - Chrome Plated Zinc die

GH	35	45	55	65
DT	20	30	40	50
Non-locking	1015 - 320 - xxx	1015 - 420 - xxx	1015 - 520 - xxx	1015 - 620 - xxx
Keyed 3333	1015 - 323 - xxx	1015 - 423 - xxx	1015 - 523 - xxx	1015 - 623 - xxx
Keyed Same	1015 - 329 - xxx	1015 - 429 - xxx	1015 - 529 - xxx	1015 - 629 - xxx

For the black coated versions, the fifth digit of the code should be 3 instead of 2. Example 1015 - 533 - xxx





Quarter Turns

MATERIAL

Housing : Zinc die, chrome plated or black coated

T Handle : Zinc die, chrome plated or black coated

Nut : Zinc die, zinc plated

Cam : Steel, zinc plated

OPTIONS

Cams :

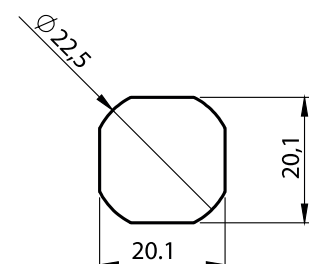
Keys :

1201 - High Body T Handle Locking

GH	35	45	55	65
DT	20	30	40	50
Non-locking	1201 - 320 - xxx	1201 - 420 - xxx	1201 - 520 - xxx	1201 - 620 - xxx
Keyed 3333	1201 - 323 - xxx	1201 - 423 - xxx	1201 - 523 - xxx	1201 - 623 - xxx
Keyed Same	1201 - 329 - xxx	1201 - 429 - xxx	1201 - 529 - xxx	1201 - 629 - xxx

For the black coated versions, the fifth digit of the code should be 3 instead of 2. Example 1201 -- 533 xxx

CUTOUT



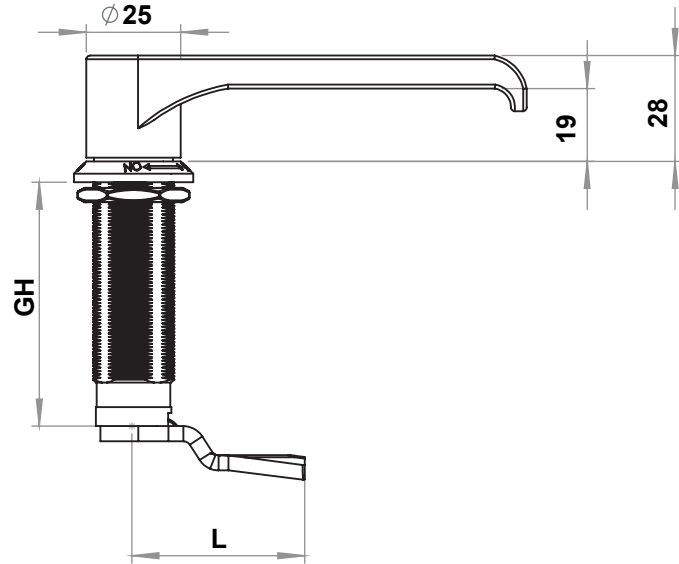
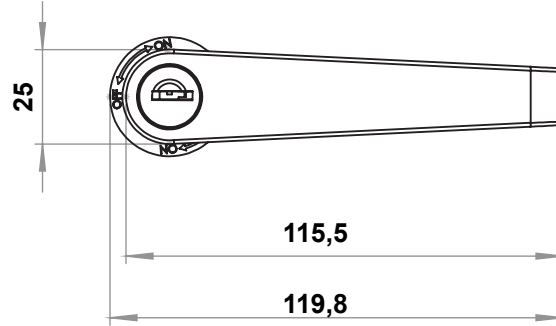
IP 65



LH/RH

RoHS

Quarter Turns



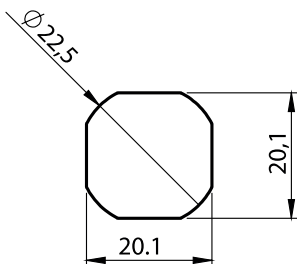
MATERIAL

- Housing:** Zinc die chrome plate or black coated
- L Handle:** Zinc die chrome plate or black coated
- Nut** : Zinc die, zinc plated
- Cam** : Steel, zinc plated

OPTIONS

- Cams** :
- Keys** :

CUTOUT

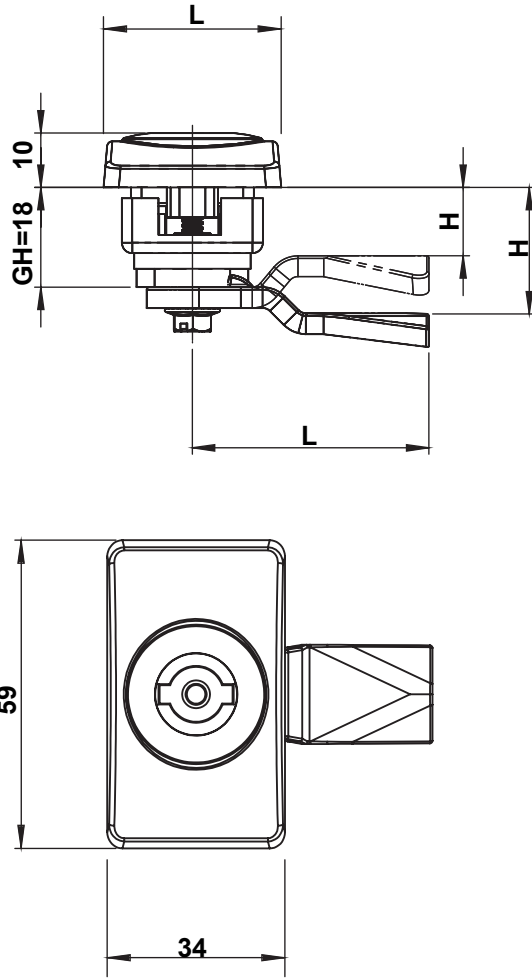


1205 - High Body L Handle Locking - Chrome Plated Zinc die

GH	35	45	55	65
DT	20	30	40	50
Non-locking	1205 - 320 - xxx	1205 - 420 - xxx	1205 - 520 - xxx	1205 - 620 - xxx
Keyed 3333	1205 - 323 - xxx	1205 - 423 - xxx	1205 - 523 - xxx	1205 - 623 - xxx
Keyed Same	1205 - 329 - xxx	1205 - 429 - xxx	1205 - 529 - xxx	1205 - 629 - xxx

For the black coated versions, the fifth digit of the code should be 3 instead of 2. Example 1205 - 533 xxx

IP 65  LH/RH  RoHS 



Quarter Turns

MATERIAL

Housing: Polyamide (PA6 GFR30), black
Insert : Zinc die, chrome plated
Cam : Plastic / Steel, zinc plated

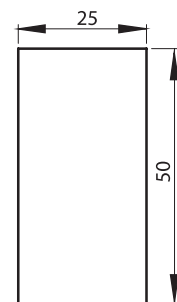
Options

Cams :
Keys :

2810 - Quarter Turn GH=18

	Insert Types	
	Double Bit 3 mm	2810 - 201 - xxx
	Double Bit 5 mm	2810 - 202 - xxx
	Triangular 8 mm	2810 - 203 - xxx
	Triangular 9 mm	2810 - 209 - xxx
	Square 7 mm	2810 - 204 - xxx
	Square 8 mm	2810 - 205 - xxx
	Slotted	2810 - 208 - xxx
	Eastern Europe	2810 - 210 - xxx

You may chose the XXX section from tables of cams with stoper.

CUTOUT

IP 65



LH/RH



RoHS



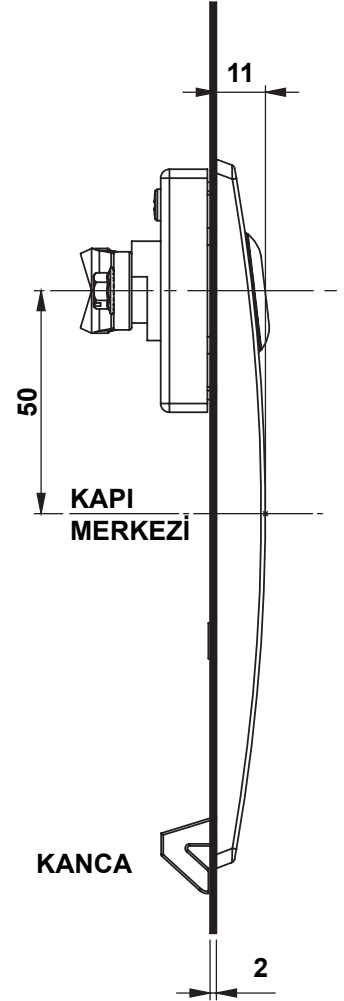
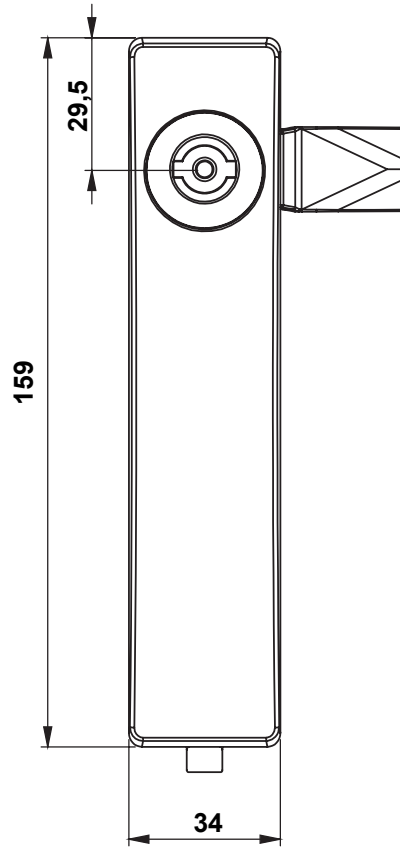
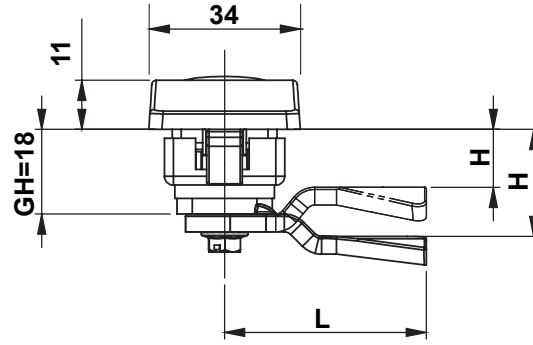
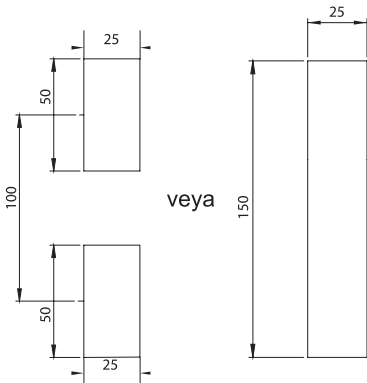
MATERIAL

Housing: Polyamide (PA6 GFR30), black
Insert : Zinc die, chrome plated
Cam : Plastic / Steel, zinc plated

OPTIONS

Cams :
Keys :

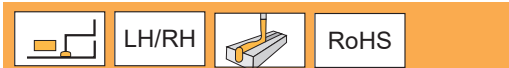
CUTOUT

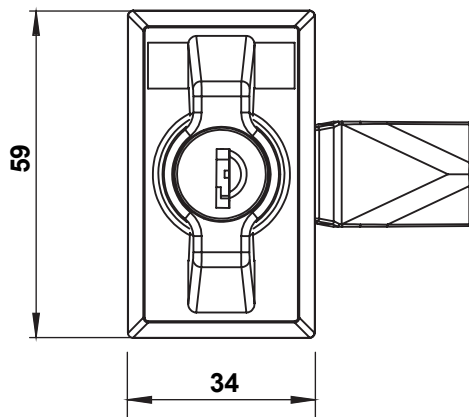
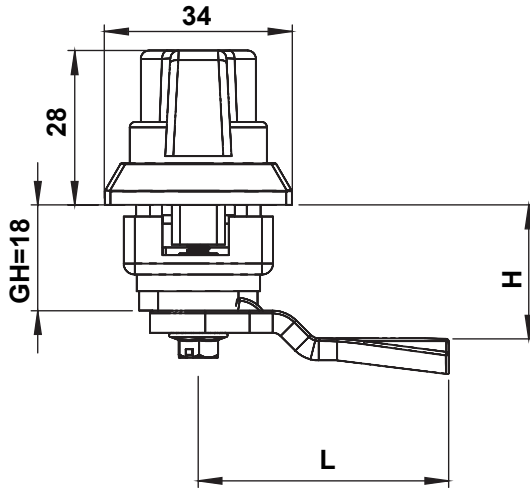


2840 - Quarter Turn

	Insert Types	GH=30
	Double Bit 3 mm	2840 - 201 - xxx
	Double Bit 5 mm	2840 - 202 - xxx
	Triangular 8 mm	2840 - 203 - xxx
	Triangular 9 mm	2840 - 209 - xxx
	Square 7 mm	2840 - 204 - xxx
	Square 8 mm	2840 - 205 - xxx
	Slotted	2840 - 208 - xxx
	Eastern Europe	2840 - 210 - xxx

You may chose the XXX section from tables of cams with stoper.





Quarter Turns

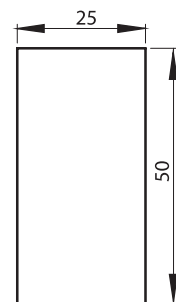
MATERIAL

Housing : Polyamide (PA6 GFR30), black
Wing knob: Zinc die, black coated
Cam : Plastic / Steel, zinc plated

OPTIONS

Cams :

CUTOUT



2850 - Quarter Turns Wing Knob Locking

Non-locking	2850 - 300 - xxx
Keyed 3333	2850 - 303 - xxx

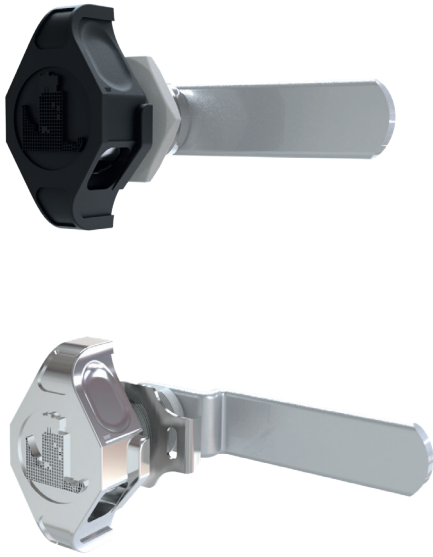
You may chose the XXX section from tables of cams with stoper.



LH/RH



RoHS



MATERIAL

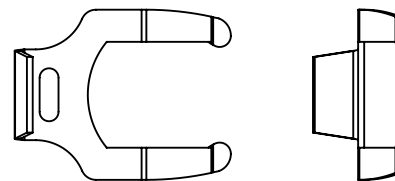
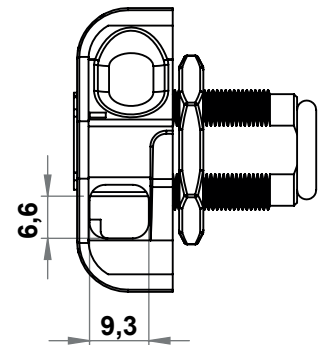
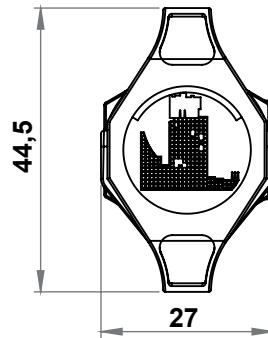
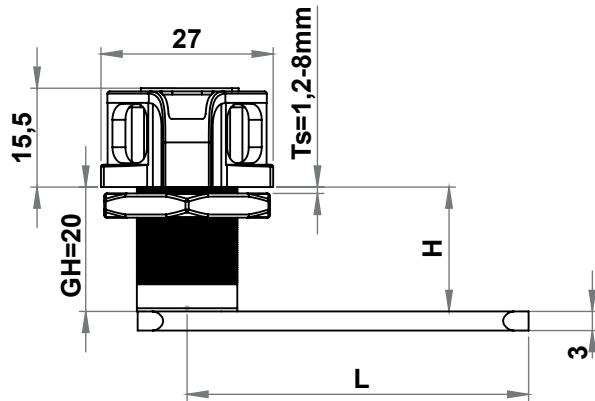
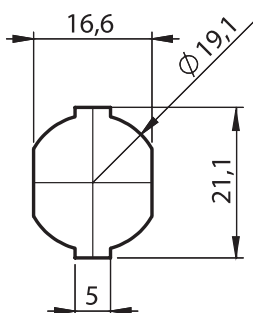
- Housing:** Zinc die, chrome plated or black coated
- Nut** : Zinc die, zinc plated
- Cam** : Steel, zinc plated
- Fork** : Spring Steel

OPTIONS

Cams :

Stock Code	XXX	CH	L	GH=20
1900-801	801	0	53,5	20
1900-802	802	0	85	20
1900-803	803	1	53,5	21
1900-804	804	6	63	26
1900-800	800	7	40	27
1900-806	806	8	50	28
1900-805	805	13,5	76	33,5

CUTOUT



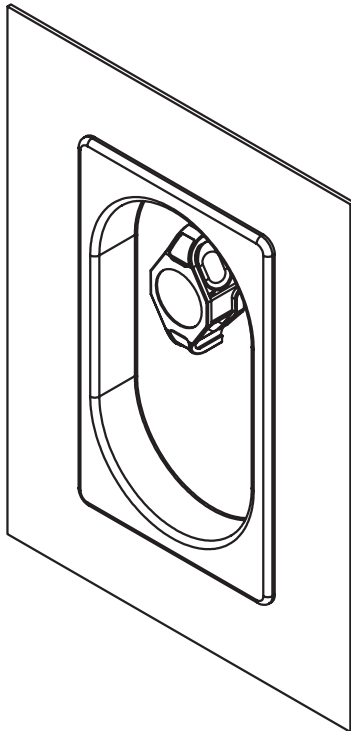
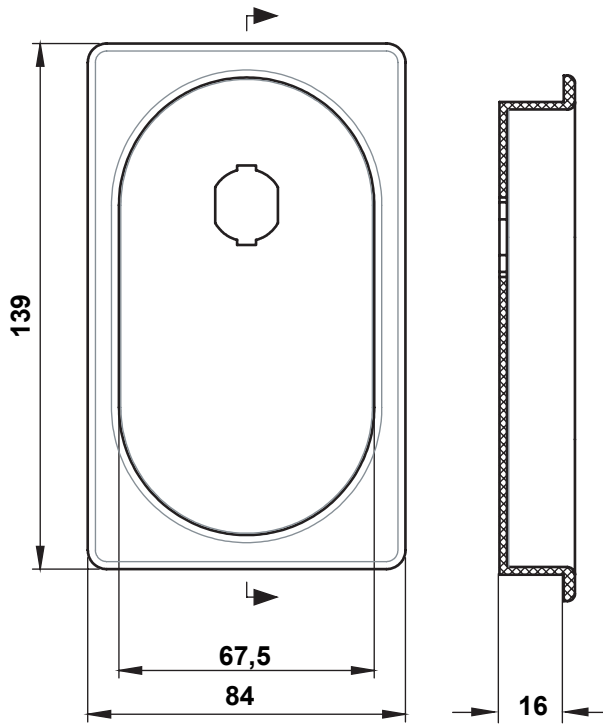
Assembly Circlip

1100 - Padlockable Quarter Turn GH=20

Assembly Nut	Zinc die Chrome Plated	Zinc die Black Coated
Suitable for right door	1100 - 100 - xxx	1100 - 180 - xxx
Suitable for left door	1100 - 101 - xxx	1100 - 181 - xxx

Assembly Fork	Zinc die Chrome Plated	Zinc die Black Coated
Suitable for right door	1100 - 200 - xxx	1100 - 280 - xxx
Suitable for left door	1100 - 201 - xxx	1100 - 281 - xxx

You may chose the XXX section, on the side of the page.

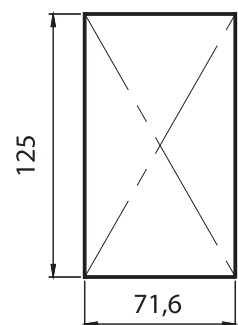


Quarter Turns

MATERIAL

Panel : Polistrane (PS), black

CUTOUT



7202 - Assembly Dish

Item Number	7202 - 001
-------------	------------

RoHS

**7203
Finger Pull**

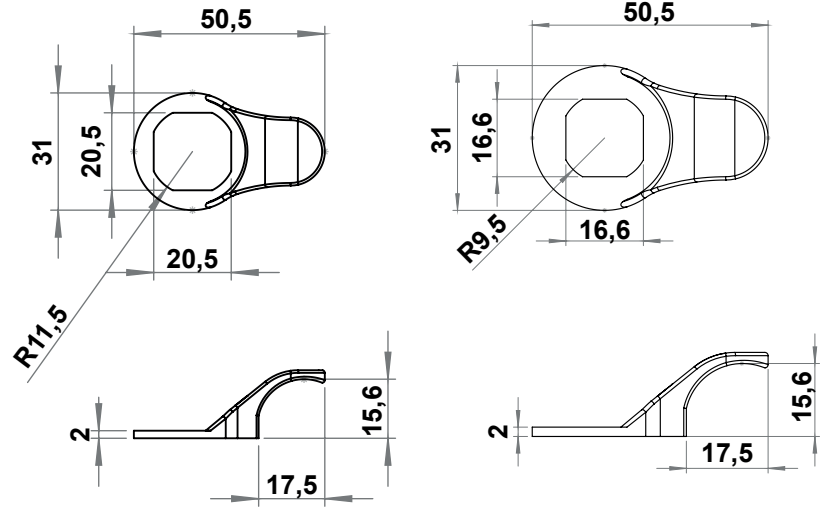


Quarter Turns

MATERIAL

Housing : Polyamide

Important Note: When fingerpull is used, it is necessary to note that the GH dimension will become smaller 2mm. Because of this reason, the H dimension of the chosen cam, should be +2mm deeper.



7203 - Finger Pull

Cutout	Product Family can be used	Item Number
	1800, 1817, 1842, 1801, 1011, 1001	7203 - 001
	1814, 1824, 1834	7203 - 002
	1004, 1890	7203 - 002

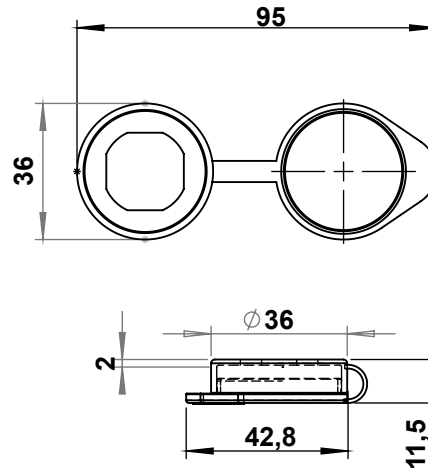
**7210
Dust Cover**



MATERIAL

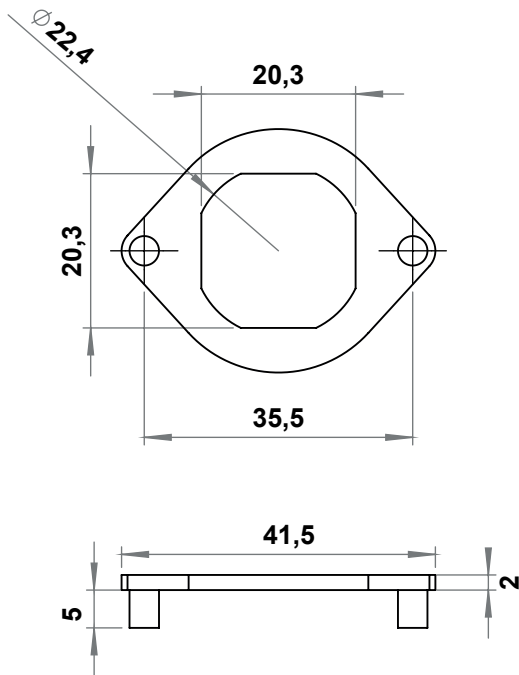
Housing : Poli Propilen

Important Note: When dust cover is used, it is necessary to note that the GH dimension will be smaller by 2mm. Because of this reason, the H dimension of the chosen cam, should be +2mm deeper.



7210 -Dust Cover

Cutout	Product Family can be used	Item Number
	1800, 1817, 1842, 1801, 1011, 1001	7210 - 001
	1814, 1824, 1834	7210 - 002
	1004, 1890	7210 - 002



2900-407 - Fixing Adapter

Item Number	2900 - 407
-------------	------------

2900-407
Fixing Adapter

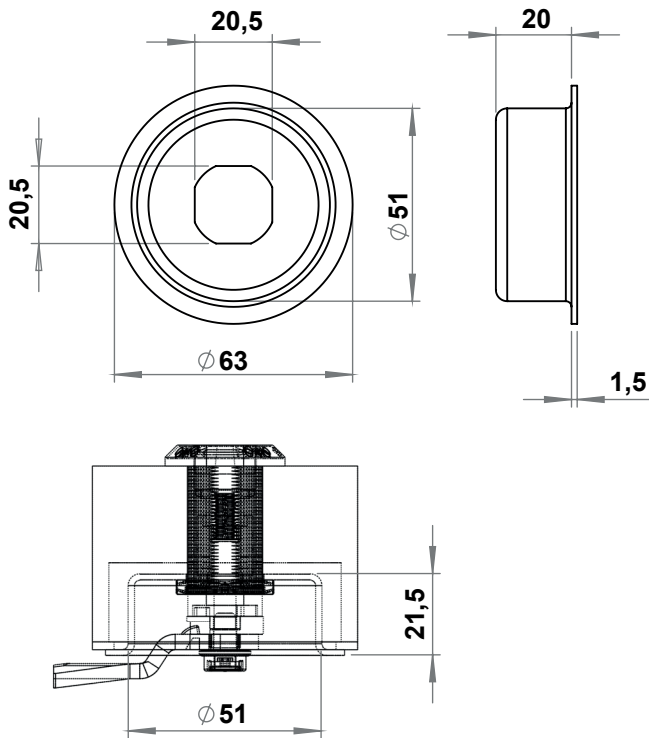


Quarter Turns

MATERIAL

Zinc die, zinc plated

Important Note: When Fixing Adapter is used, it is necessary to note that the GH dimension will be smaller by 2mm.



2900-450 - Assembly Dish

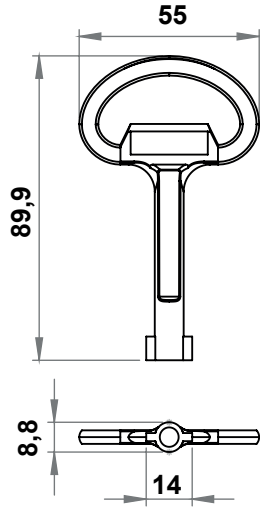
Item Number	2900 - 450
-------------	------------

2900 - 450
Assembly Dish

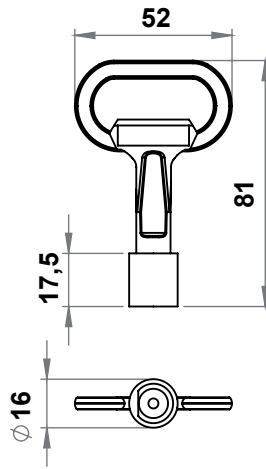


MATERIAL

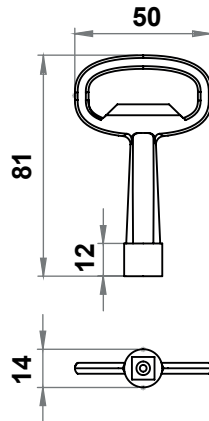
Steel, zinc plated



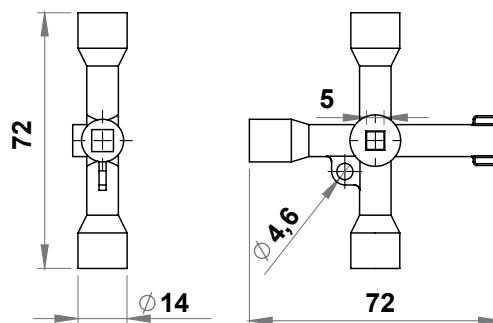
	Material	Zinc die, Chrome Plated	Zinc die, Black Coated
	Çentikli 3mm	1000-612	1000-512
	Çentikli 5mm	1000-611	1000-511





	Material	Zinc die, Chrome Plated	Zinc die, Black Coated
	Doğu Avrupa	1000-616	1000-516

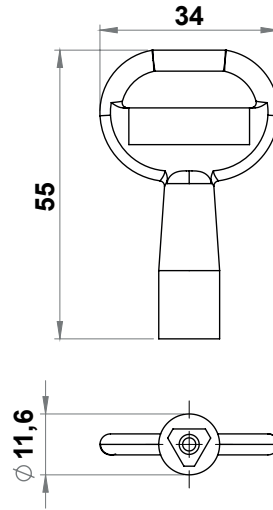









	Material	Zinc die, Chrome Plated	Zinc die, Black Coated
	Square 6	1000-618C	1000-518C
	Square 7	1000-620	1000-520
	Square 8	1000-614	1000-514
	Square 10	1000-622	1000-522

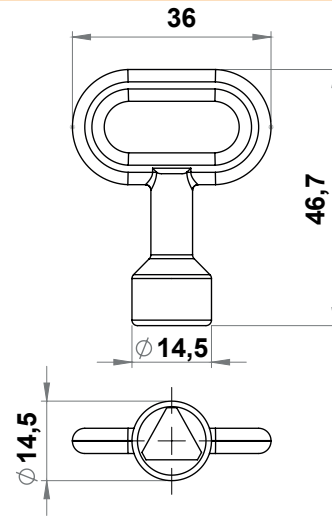









Zinc die, Chrome Plated	Zinc die, Black Coated
1000-999	1000-888

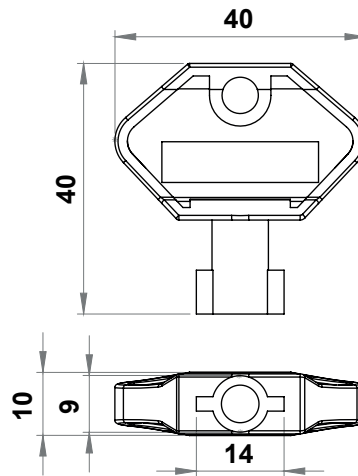
	Material	Zinc die, Chrome Plated	Zinc die, Black Coated
	Square 6	1000-618	1000-518
	Triangular 6,5	1000-617	1000-517



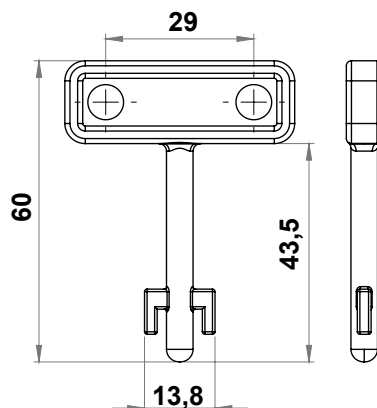
	Material	Zinc die, Chrome Plated	Zinc die, Black Coated
	Double Bit 3 mm	1000-811	1000-711
	Double Bit 5 mm	1000-812	1000-712
	Triangular 7	1000-819	1000-719
	Triangular 8	1000-813	1000-713
	Triangular 9	1000-821	1000-721
	Square 7	1000-820	1000-720
	Square 8	1000-814	1000-714



	Material	Plastic(PA) Black
	Square 6	1000-515
	Double Bit 3 mm	1000-501
	Double Bit 5 mm	1000-502
	Triangular 7	1000-509
	Triangular 8	1000-503
	Square 7	1000-520P
	Square 8	1000-504

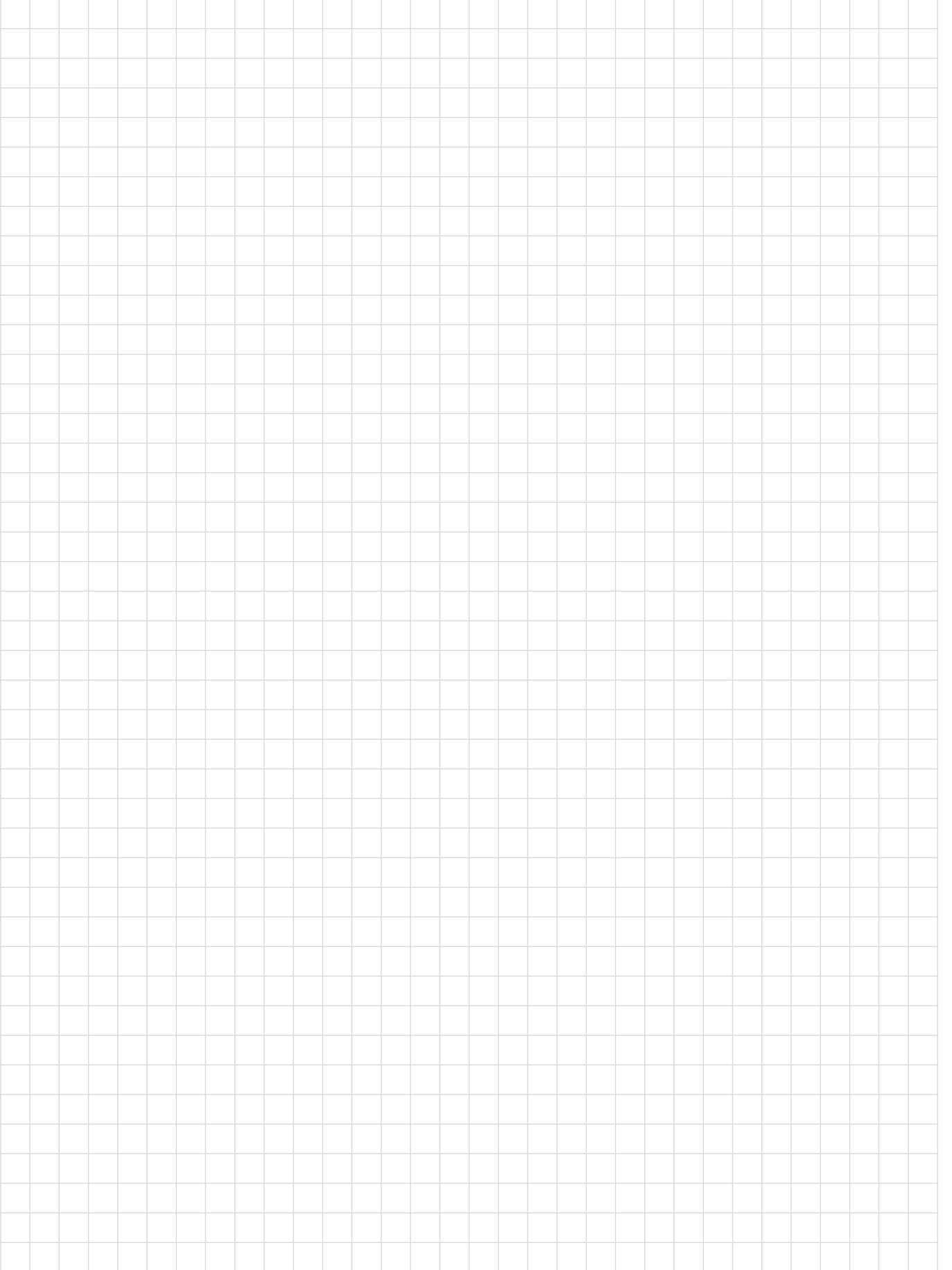


	Chrome Plated
Item Number	1000-615



Quarter Turns

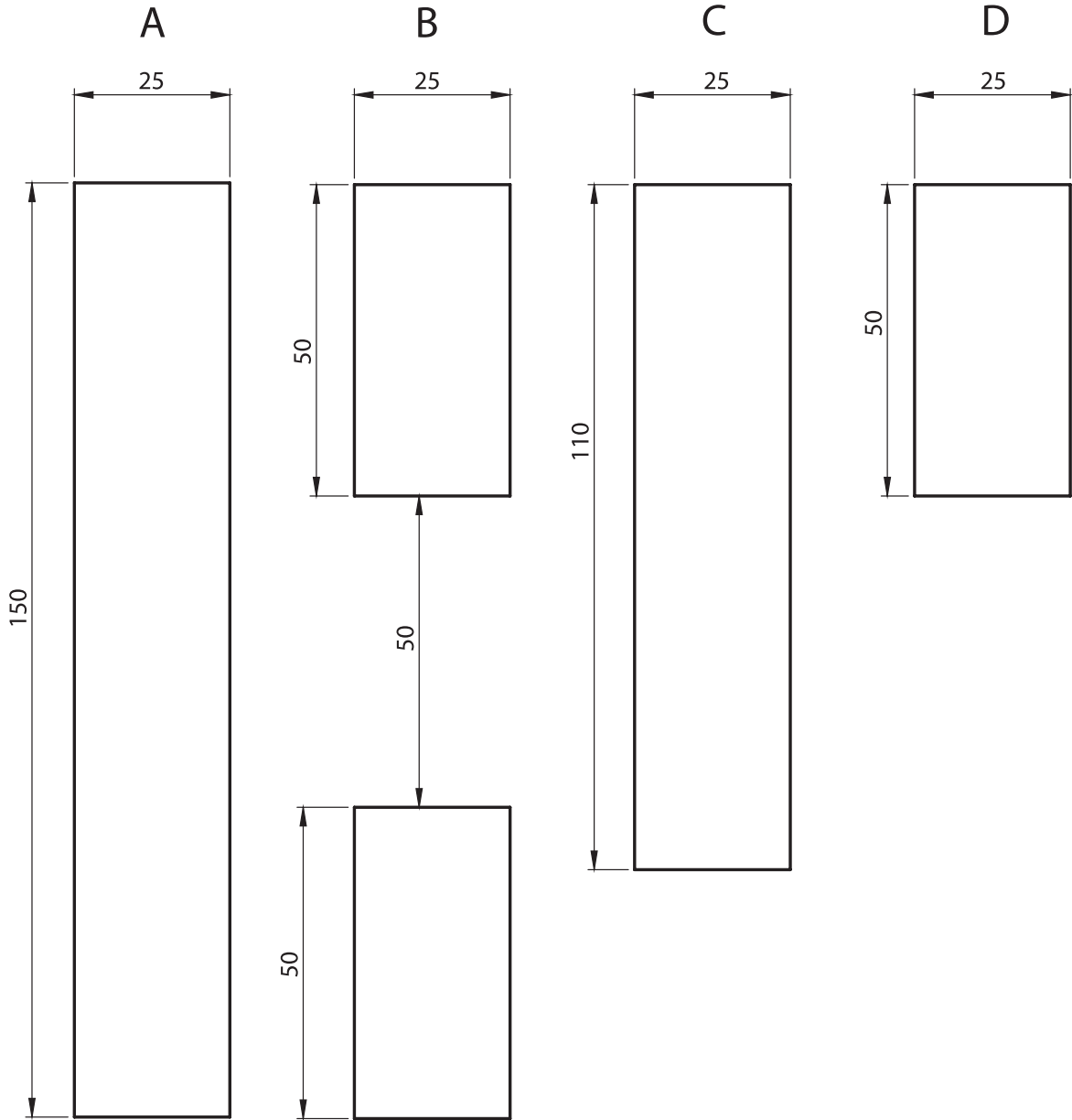
Quarter Turns



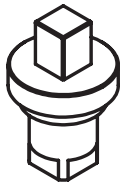
Swinghandles

CUTOUT

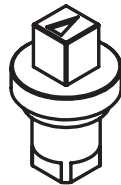
Swinghandles



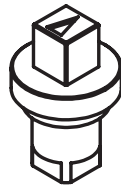
Insert and Barrel Types



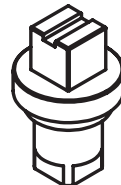
Square 6



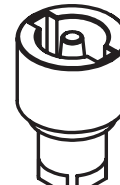
Square 7



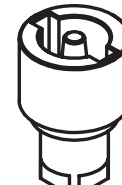
Square 8



Double bit
Square 8



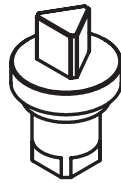
Double bit 3
mm



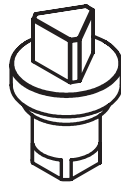
Double bit 5
mm



Triangular
6,5 mm



Triangular
7 mm



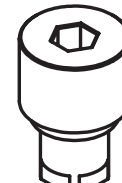
Triangular
8 mm



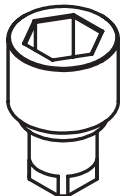
Triangular
9 mm



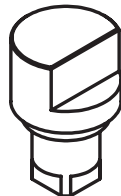
Fiat Type



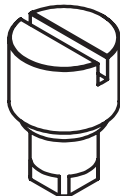
Socket
Hexagon 5




Soket
Hexagon 8





Doğu Avrupa
Tipi



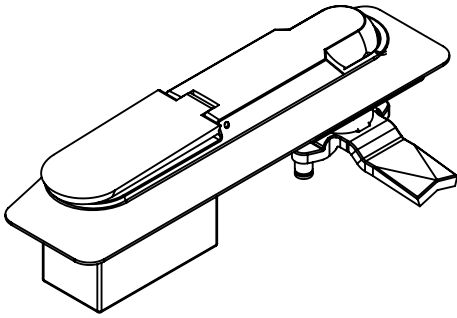
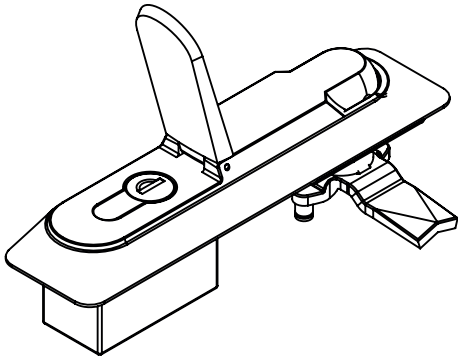
Çentikli

	Keyed 3333
	Keyed Same
	Keyed Differ

	Keyed 3333
	Keyed Same
	Keyed Differ

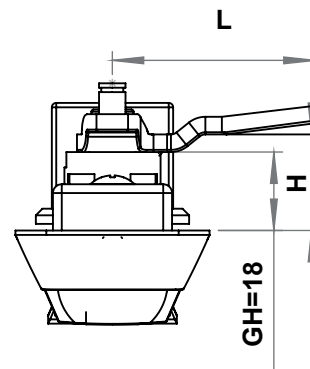
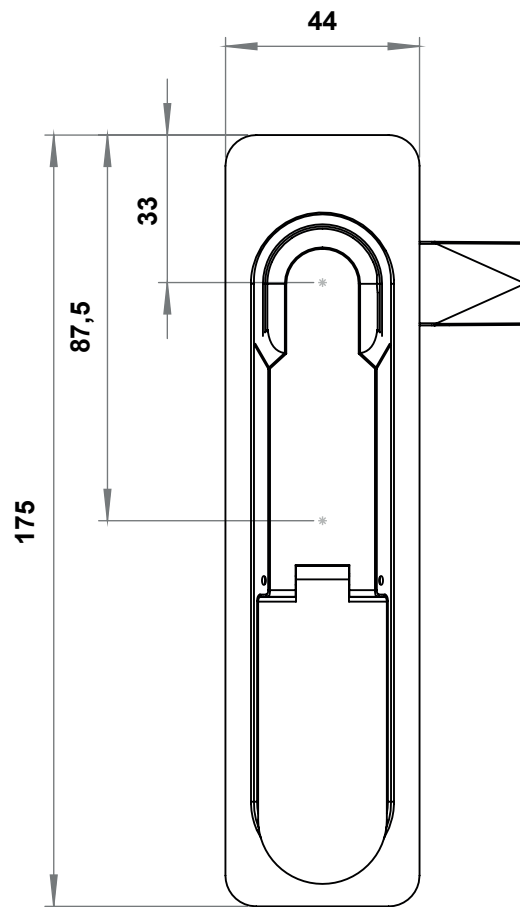
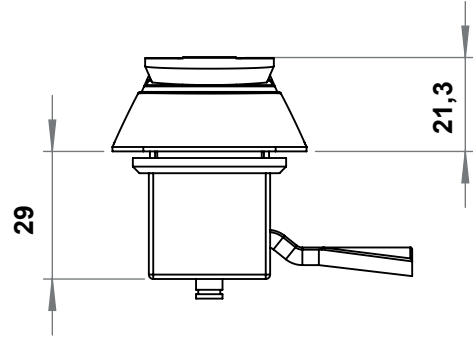
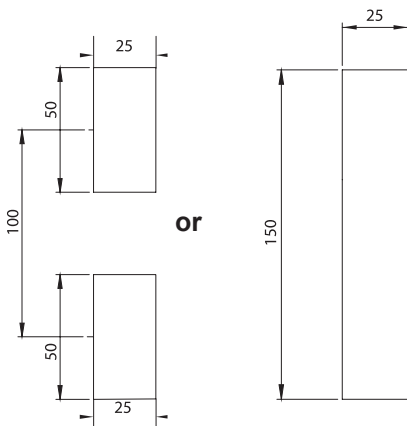
PUSH LOCK 	Keyed 3333
	Keyed Same
	Keyed Differ

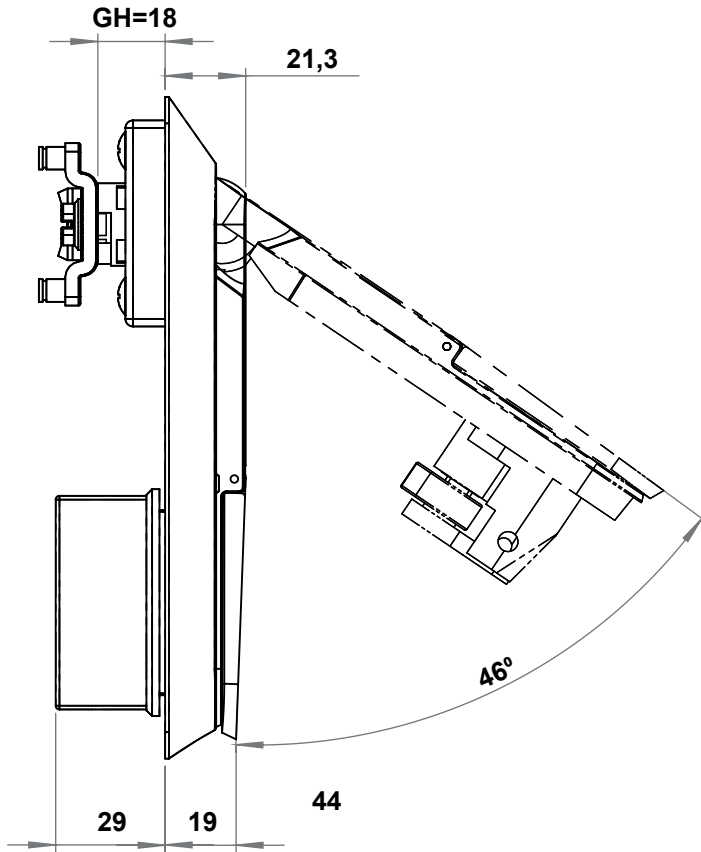
Swinghandles



- Suitable for DIN V ENV 16301:1999-04/ WK2
- Push to Close
- Complete Metal

CUTOUT





2137 - Swinghandle

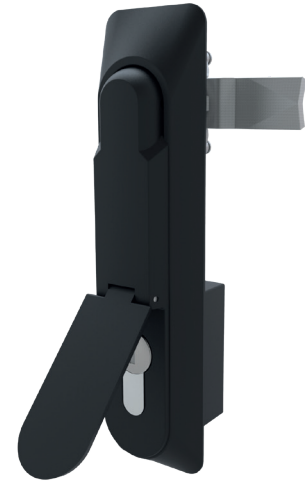
Profile Cylinder Type		
	Double bit 3 mm	2137 - 031 - xxx
	Double bit 5 mm	2137 - 032 - xxx
	Triangular 7 mm	2137 - 037 - xxx
	Triangular 8 mm	2137 - 033 - xxx
	Triangular 9 mm	2137 - 039 - xxx
	Square 7 mm	2137 - 034 - xxx
	Square 8 mm	2137 - 035 - xxx
	Slotted	2137 - 038 - xxx

Suitable for your own profile cylinder (hole)	2137 - 000 - xxx
---	------------------

	Keyed 3333	2137 - 013 - xxx
	Keyed Same	2137 - 017 - xxx
	Keyed Differ	2137 - 019 - xxx

PUSH LOCK 	Keyed 3333	2137 - 713 - xxx
	Keyed Same	2137 - 717 - xxx
	Keyed Differ	2137 - 719 - xxx

You may chose the XXX section from the tables of cams with stopper.



Swinghandles

MATERIAL

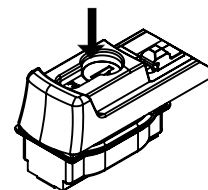
Housing : Zinc die, black coated
Handle : Zinc die, black coated
Cover : Zinc die, black coated

OPTIONS

Cams :
Round Rods :
Rod Guides :

Suitable for Ts=1,5-2mm

PUSH LOCK

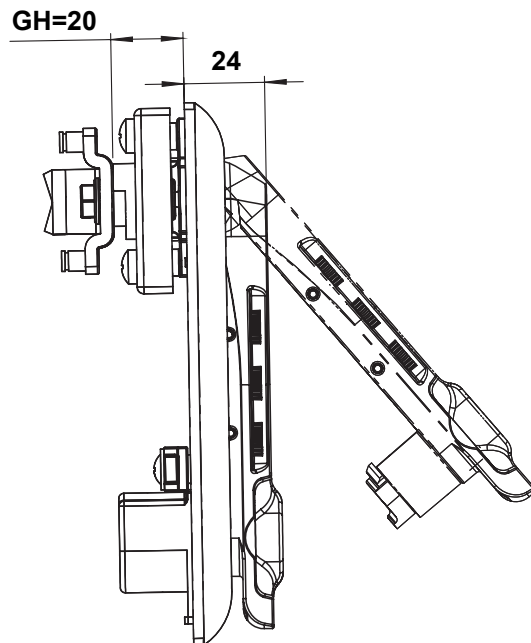
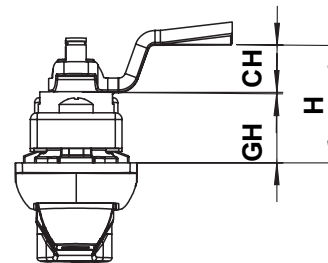
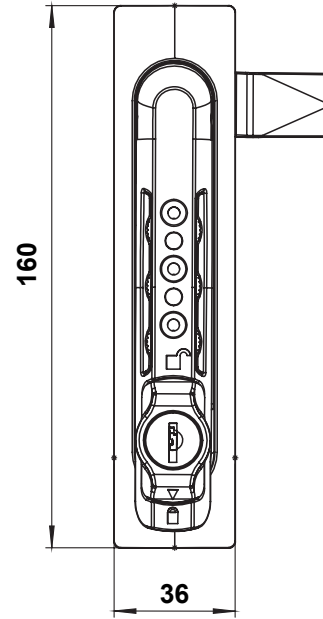
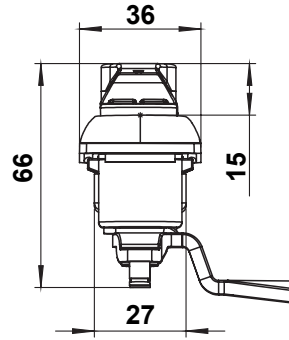
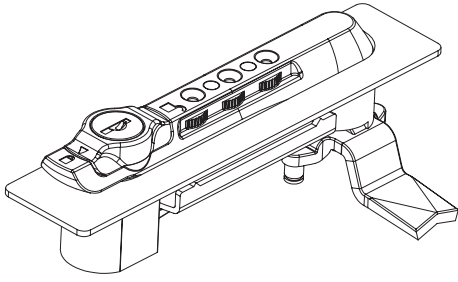


If the key is in the open position, the handle is opened by pushing the cylinder

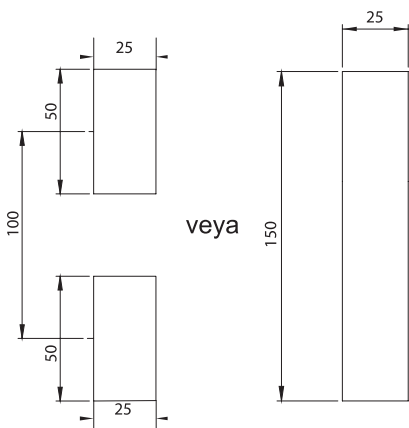
If the key is in closed position, than the handle can not be opened.

IP 65		LH/RH		RoHS	
-------	--	-------	--	------	--

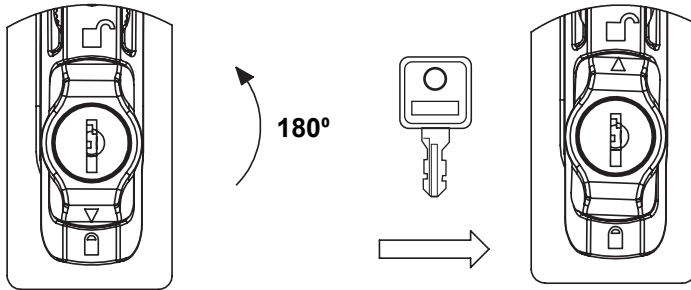
Swinghandles



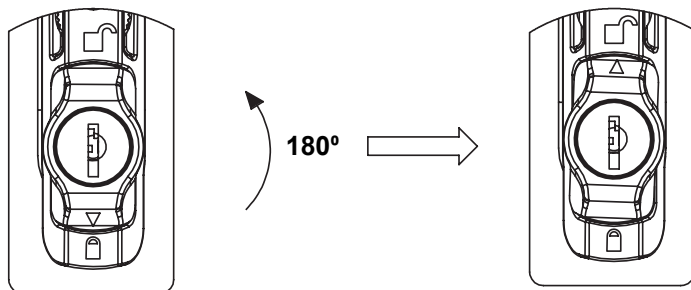
CUTOUT



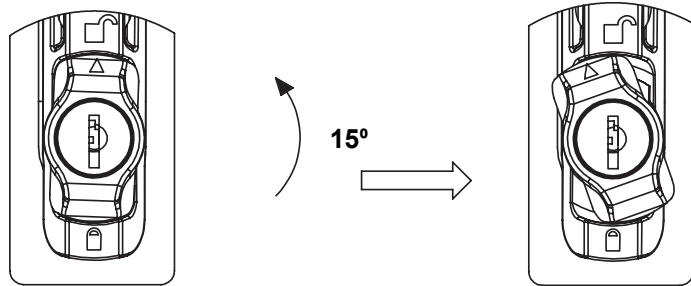
Open with key



Open with the pin code



To change the pin code



To change the pin code, turn the key 15°, change the pin code as new pin and turn to the closed position again. The new pin code is fixed now.



Swinghandles

MATERIAL

Housing: Polyamide (PA6 GFR30), black
Handle : Polyamide (PA6 GFR30), black
Cam : Steel, zinc plated

OPTIONS

Cams :
Round Rods :
Rod Guides :

The handle operates in 180°, if you want to stop it in 90° please contact Elkomsan

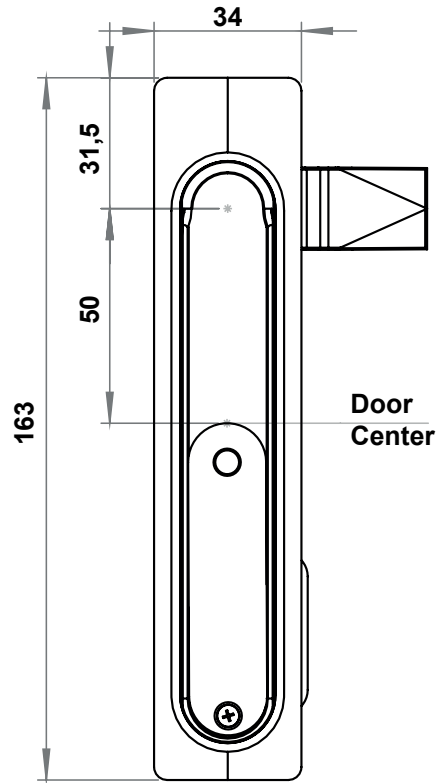
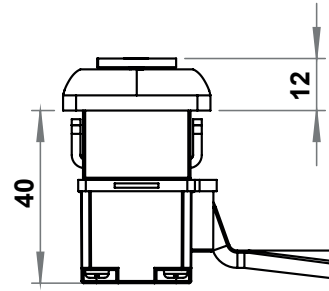
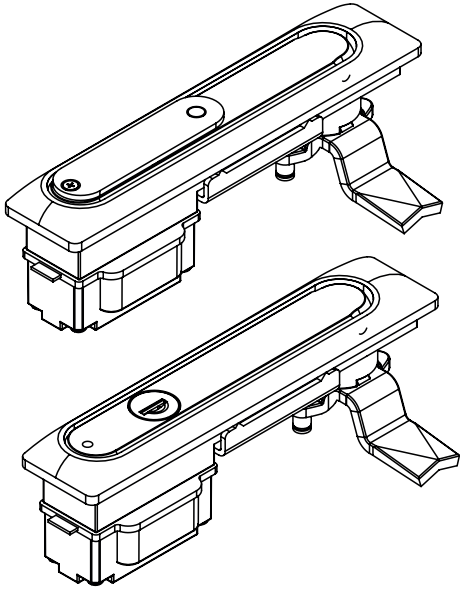
2209 - Keyed and Combination

	Item No
Keyed and Combination	2209 - 923 - XXX

You may chose the XXX section from the tables of cams with stopper.

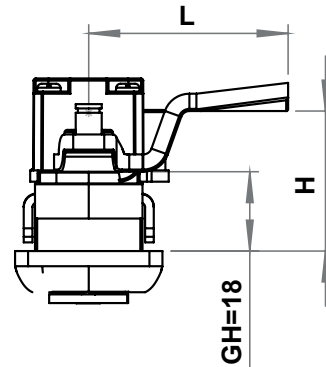
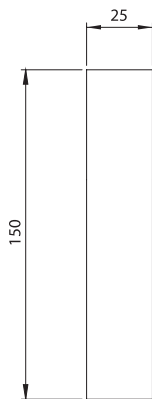


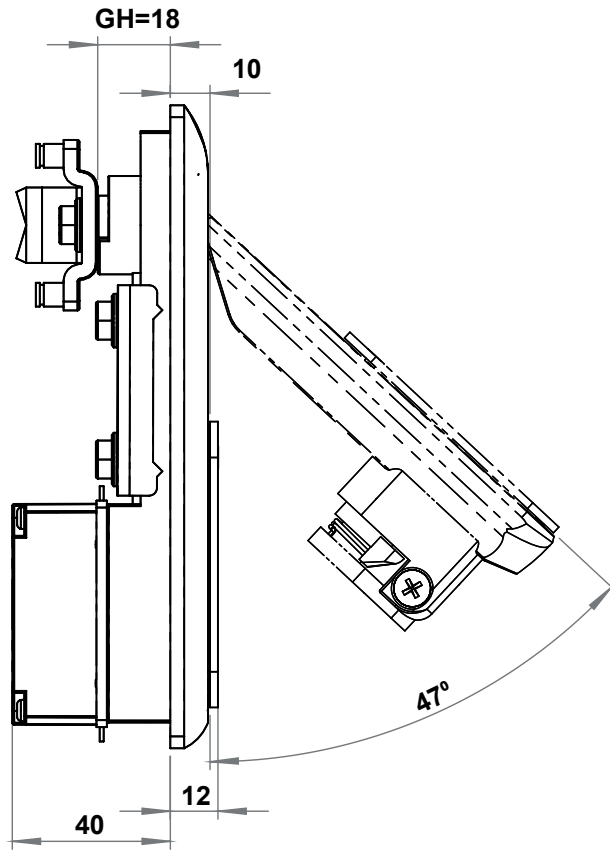
Swinghandles



- * Push to Close
- * Complete Metal
- * Stainless Steel version is available

CUTOUT





2101 - Swinghandle (Zinc Die, Black Coated)

Profile Cylinder Type		No Dustcover	With Dustcover
	Double bit 3 mm	2101 - 031 - xxx	2101 - 131 - xxx
	Double bit 5 mm	2101 - 032 - xxx	2101 - 132 - xxx
	Triangular 7 mm	2101 - 037 - xxx	2101 - 137 - xxx
	Triangular 8 mm	2101 - 033 - xxx	2101 - 133 - xxx
	Triangular 9 mm	2101 - 039 - xxx	2101 - 139 - xxx
	Square 7 mm	2101 - 034 - xxx	2101 - 134 - xxx
	Square 8 mm	2101 - 035 - xxx	2101 - 135 - xxx
	Slotted	2101 - 038 - xxx	2101 - 138 - xxx
	Keyed 3333	2101 - 013 - xxx	2101 - 113 - xxx
	Keyed Same	2101 - 017 - xxx	2101 - 117 - xxx
	Keyed Differ	2101 - 019 - xxx	2101 - 119 - xxx

For the chrome plated version, please use 2121 code instead of 2101.
You may chose the XXX section from the tables of cams with stopper.



Swinghandles

MATERIAL

Housing : Zinc die, black coated or chrome plated

Handle : Zinc die, black coated or chrome plated

Dustcover : Steel, zinc plated

Cam : Steel, zinc plated

OPTIONS

Cams :
Round Rods :
Rod Guides :

IP 65

Complete Zinc Die

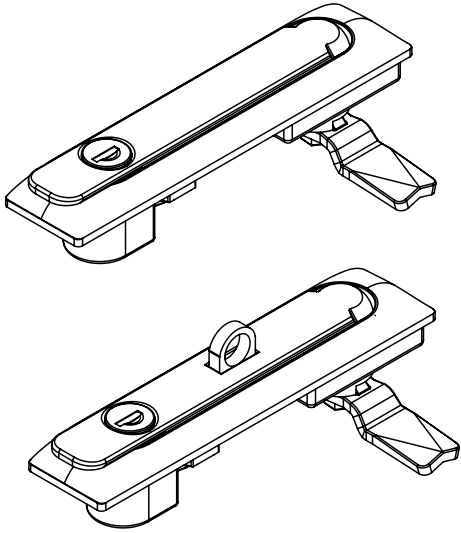


LH/RH



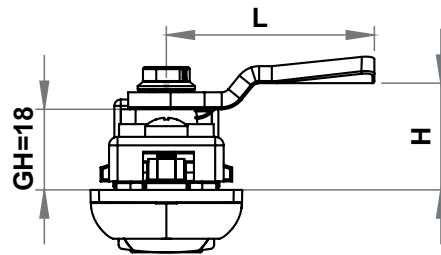
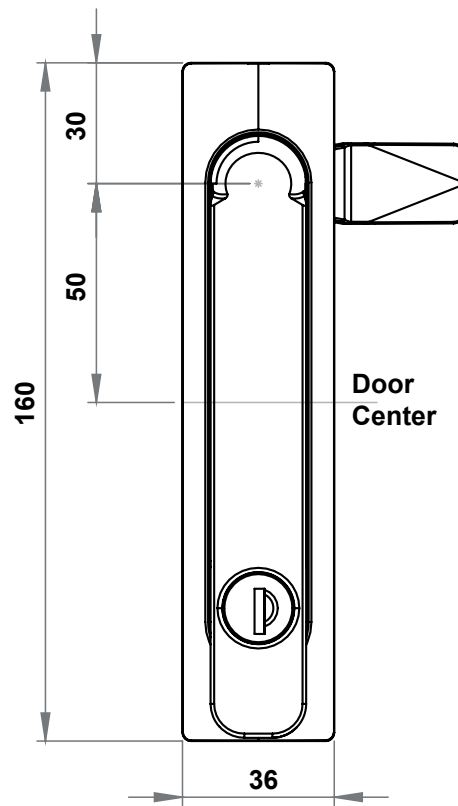
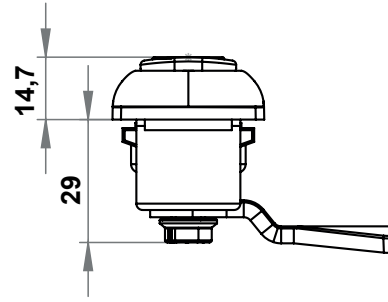
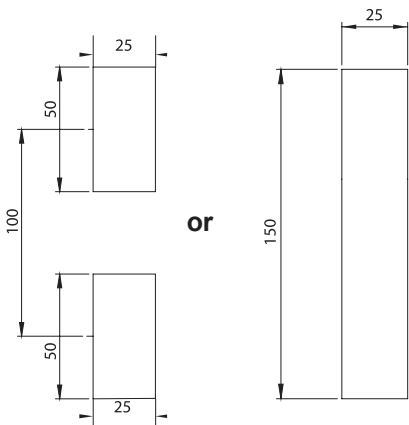
RoHS

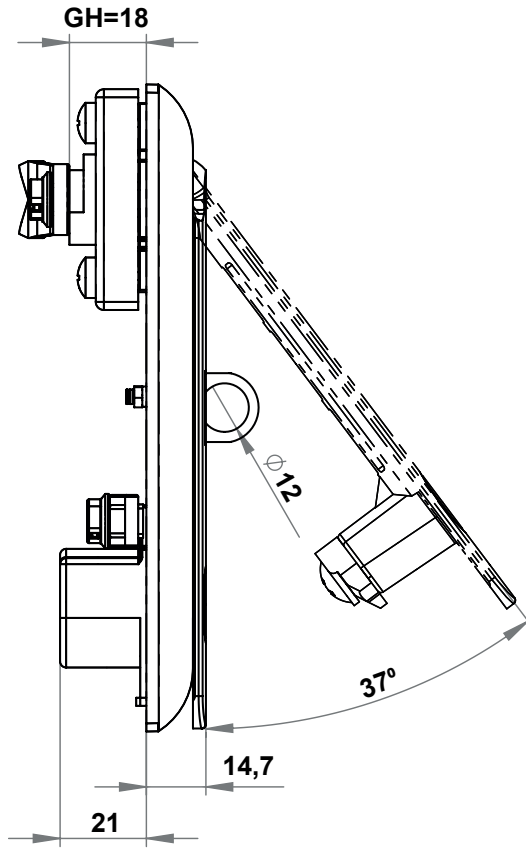
Swinghandles



* Stainless Steel version is available

CUTOUT





2104 - Swinghandle (Zinc Die, Black Coated)

Barrel Type		Plain	Padlock Applicable
	Double bit 3 mm	2104 - 041 - xxx	2104 - 341 - xxx
	Double bit 5 mm	2104 - 042 - xxx	2104 - 342 - xxx
	Triangular 7 mm	2104 - 047 - xxx	2104 - 347 - xxx
	Triangular 8 mm	2104 - 043 - xxx	2104 - 343 - xxx
	Triangular 9 mm	2104 - 049 - xxx	2104 - 349 - xxx
	Square 7 mm	2104 - 044 - xxx	2104 - 344 - xxx
	Square 8 mm	2104 - 045 - xxx	2104 - 345 - xxx
	Slotted	2101 - 048 - xxx	2104 - 348 - xxx
	Keyed 3333	2104 - 023 - xxx	2104 - 323 - xxx
	Keyed Same	2104 - 027 - xxx	2104 - 327 - xxx
	Keyed Differ	2104 - 029 - xxx	2104 - 329 - xxx

For the chrome plated version, please use 2121 code instead of 2101.
You may chose the XXX section from the tables of cams with stopper.



Swinghandles

MATERIAL

Housing: Zinc die, black coated or chrome plated

Handle : Zinc die, black coated or chrome plated

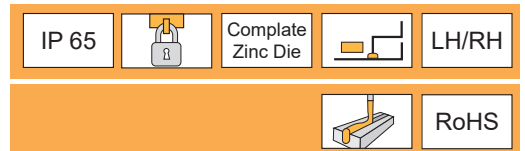
Cam : Steel, zinc plated

Padlock Device : Stainless steel AISI 304

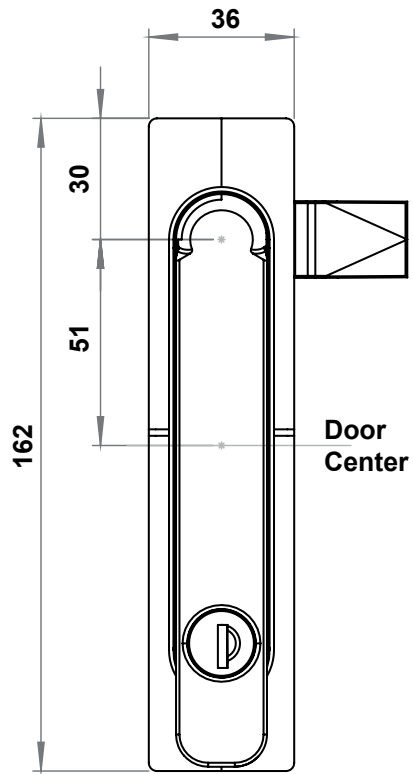
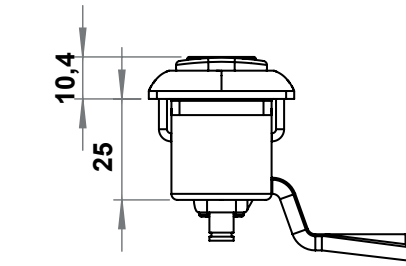
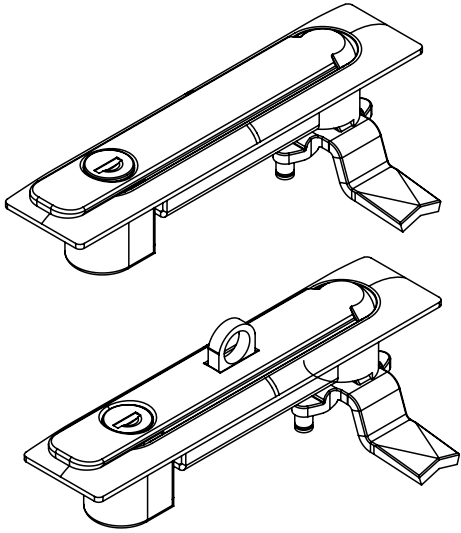
OPTIONS

Cams :
Round Rods :
Rod Guides :

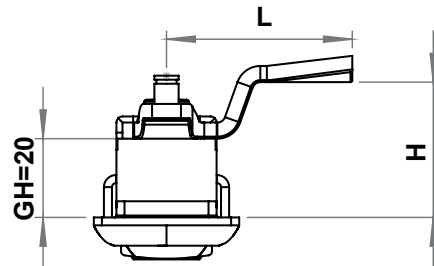
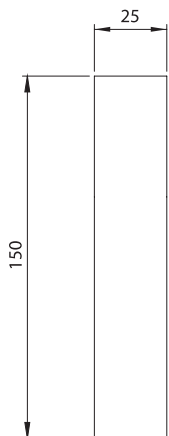
* Ts=1,5-2mm' ye uygundur.

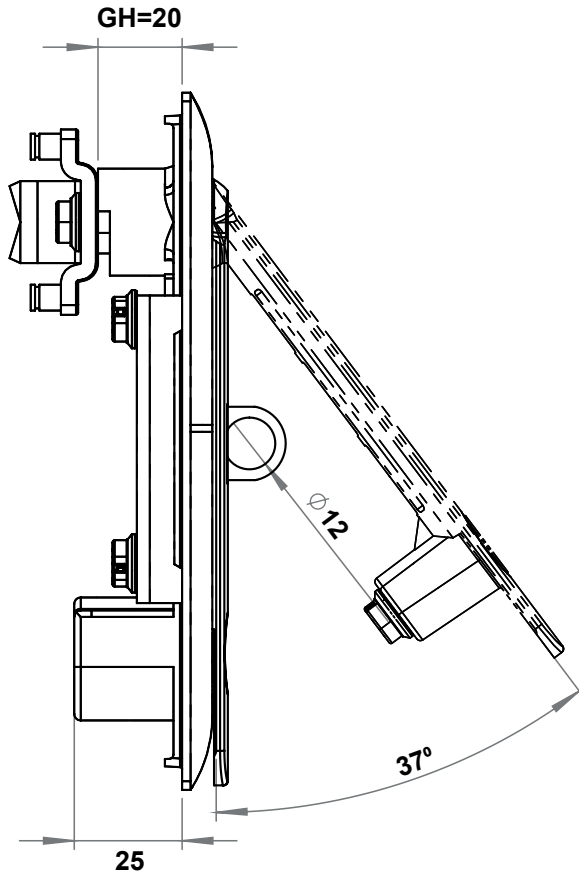


Swinghandles



CUTOUT





2103 - Swinghandle (Zinc Die, Black Coated)

Barrel Type	Black Coated	Black Coated Padlock Applicable
	2103 - 041 - xxx	2103 - 341 - xxx
	2103 - 042 - xxx	2103 - 342 - xxx
	2103 - 047 - xxx	2103 - 347 - xxx
	2103 - 043 - xxx	2103 - 343 - xxx
	2103 - 049 - xxx	2103 - 349 - xxx
	2103 - 044 - xxx	2103 - 344 - xxx
	2103 - 045 - xxx	2103 - 345 - xxx
	2103 - 048 - xxx	2103 - 348 - xxx



	Keyed 3333	2103 - 023 - xxx	2103 - 323 - xxx
	Keyed Same	2103 - 027 - xxx	2103 - 327 - xxx
	Keyed Differ	2103 - 029 - xxx	2103 - 329 - xxx

For the chrome plated version, please use 2123 code instead of 2103. You may chose the XXX section from the tables of cams with stopper.



Swinghandles

MATERIAL

- Housing** : Zinc die, black coated or chrome plated
- Handle** : Zinc die, black coated or chrome plated
- Cam** : Steel, zinc plated
- Padlock Device** : Stainless steel AISI 304

OPTIONS

- Cams** :
- Round Rods** :
- Rod Guides** :

* The handle operates in 180°, if you want to stop it in 90°, please contact Elkomsan.

IP 65

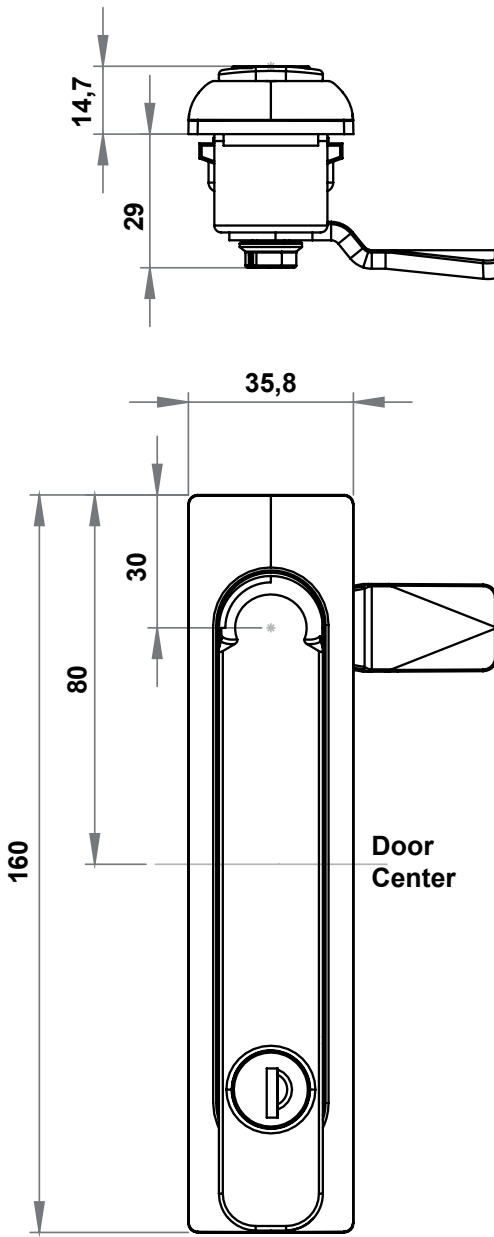
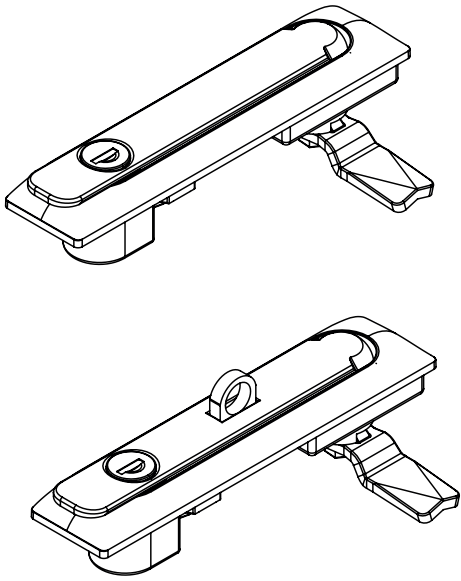
Complete Zinc Die



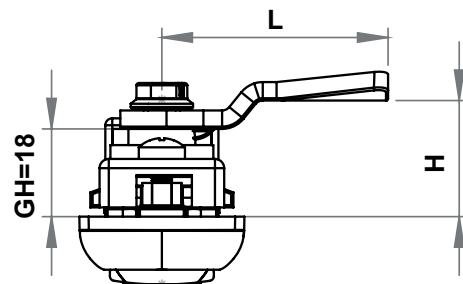
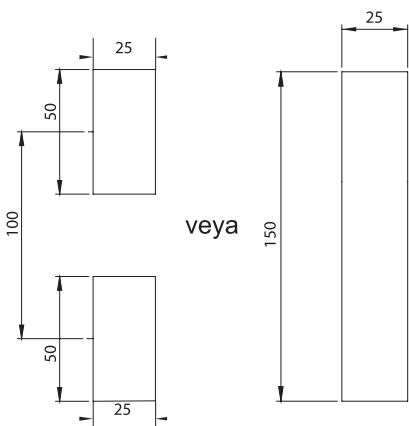
LH/RH

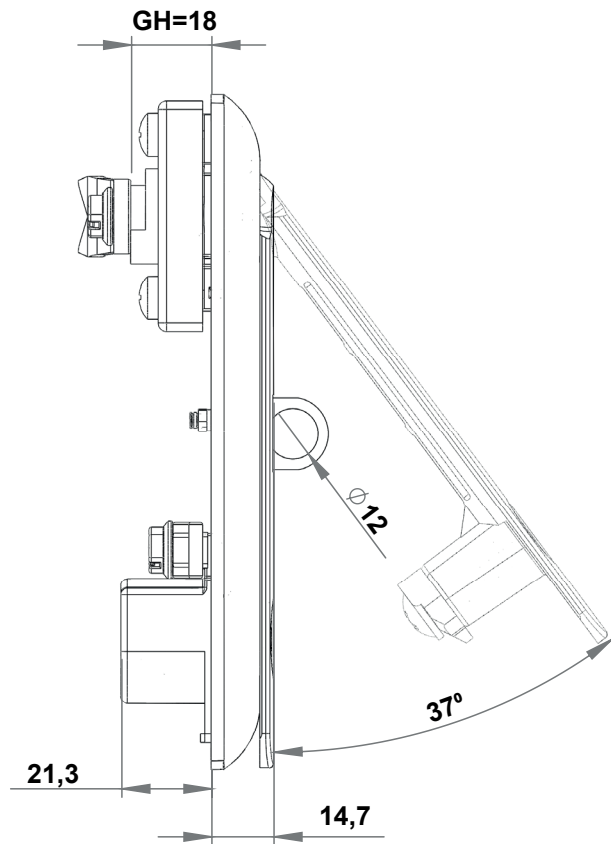


RoHS



CUTOUT





2302 - Swinghandle

Barrel Type	Black Coated Plain	Black Coated Asma Kilit Hamili	
Double bit 3 mm	2302 - 041 - xxx	2302 - 341 - xxx	
Double bit 5 mm	2302 - 042 - xxx	2302 - 342 - xxx	
Triangular 7 mm	2302 - 047 - xxx	2302 - 347 - xxx	
Triangular 8 mm	2302 - 043 - xxx	2302 - 343 - xxx	
Triangular 9 mm	2302 - 049 - xxx	2302 - 349 - xxx	
Square 7 mm	2302 - 044 - xxx	2302 - 344 - xxx	
Square 8 mm	2302 - 045 - xxx	2302 - 345 - xxx	
Slotted	2302 - 048 - xxx	2302 - 348 - xxx	
	Keyed 3333	2302 - 023 - xxx	2302 - 323 - xxx
	Keyed Same	2302 - 027 - xxx	2302 - 327 - xxx
	Keyed Differ	2302 - 029 - xxx	2302 - 329 - xxx

For the chrome plated version, please use 2123 code instead of 2103.
You may chose the XXX section from the tables of cams with stopper.



Swinghandles

MATERIAL

Housing : Polyamide (PA6 GFR30), black
Handle : Zinc die, black coated or chrome plated
Cam : Steel, zinc plated
Padlock Device : Stainless steel AISI 304

OPTIONS

Cams :
Round Rods :
Rod Guides :

* Suitable for Ts=1,5-2mm

IP 65

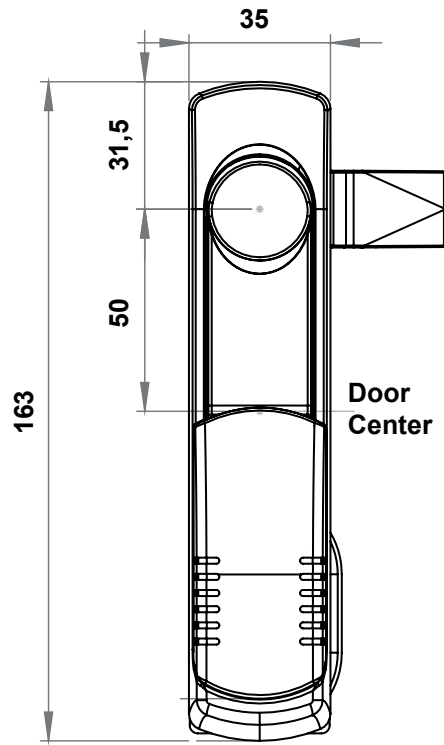
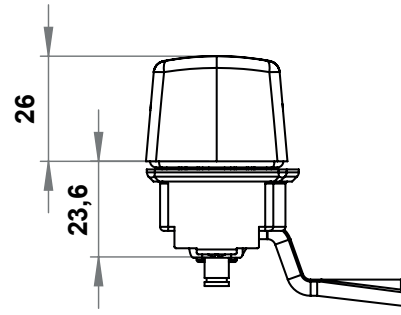
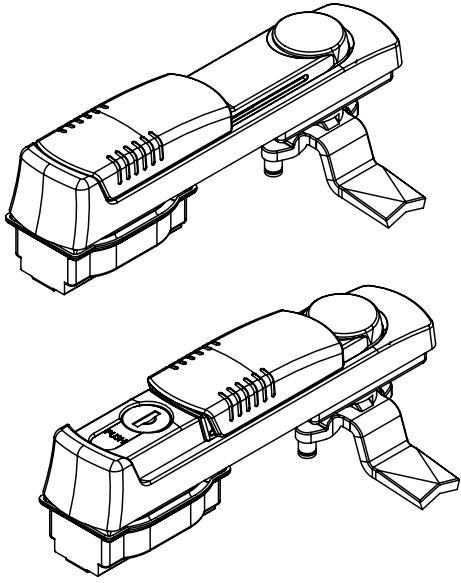


LH/RH

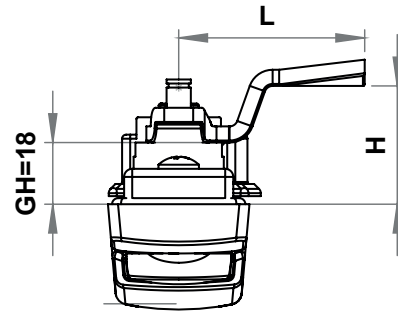
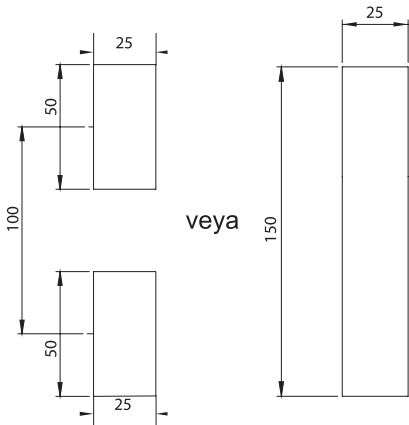


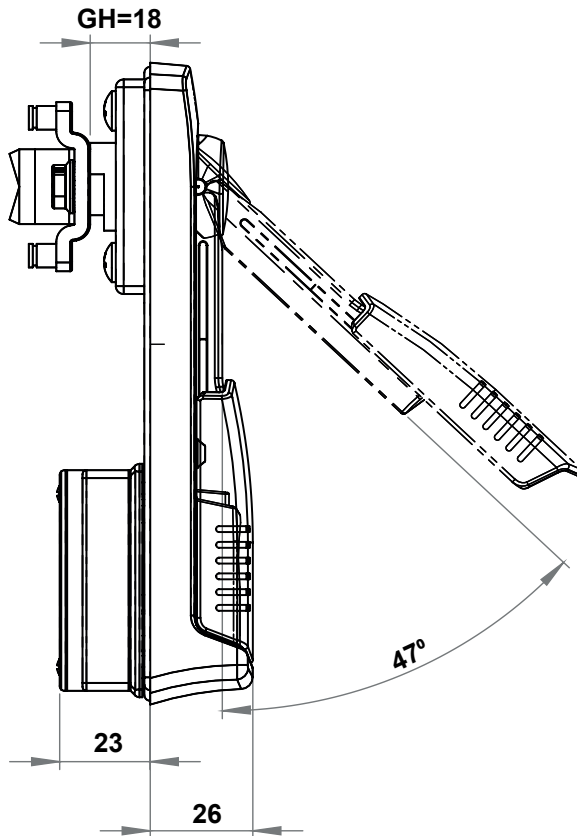
RoHS

Swinghandles



CUTOUT





2304 - Swinghandle

Profile Cylinder Type		
	Double bit 3 mm	2304 - 031 - xxx
	Double bit 5 mm	2304 - 032 - xxx
	Triangular 7 mm	2304 - 037 - xxx
	Triangular 8 mm	2304 - 033 - xxx
	Triangular 9 mm	2304 - 039 - xxx
	Square 7 mm	2304 - 034 - xxx
	Square 8 mm	2304 - 035 - xxx
	Slotted	2304 - 038 - xxx

	Keyed 3333	2304 - 013 - xxx
	Keyed Same	2304 - 017 - xxx
	Keyed Differ	2304 - 019 - xxx

PUSH LOCK 	Keyed 3333	2304 - 713 - xxx
	Keyed Same	2304 - 717 - xxx
	Keyed Differ	2304 - 719 - xxx

You may chose the XXX section from the tables of cams with stopper.



Swinghandles

MATERIAL

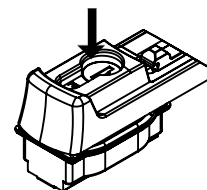
Housing : Polyamide (PA6 GFR30), black
Handle : Zinc die, black coated
Sliding Cover : Polyamide (PA6 GFR30), black
Cam : Steel, zinc plated

OPTIONS

Cams :
Round Rods :
Rod Guides :

Suitable for Ts=1,5-2mm

PUSH LOCK



If the key is in open position, the handle is opened by cylinder

If the key is in closed position, the handle can not be opened.

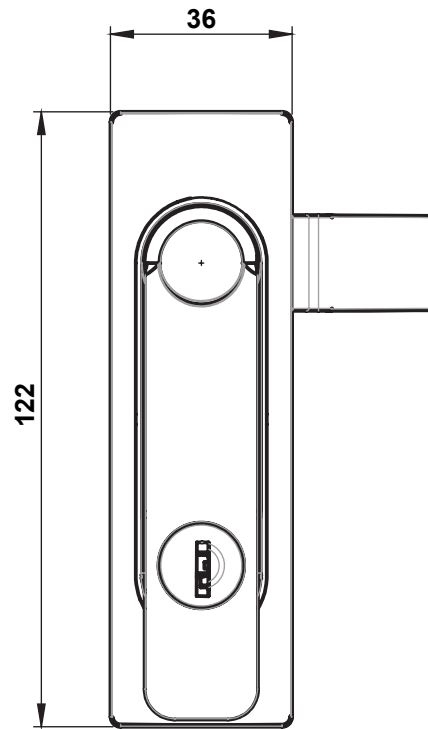
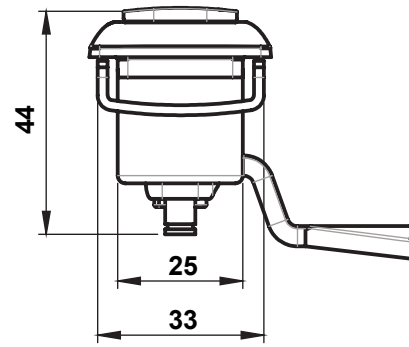
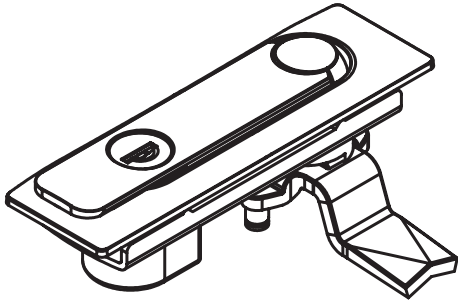
IP 65



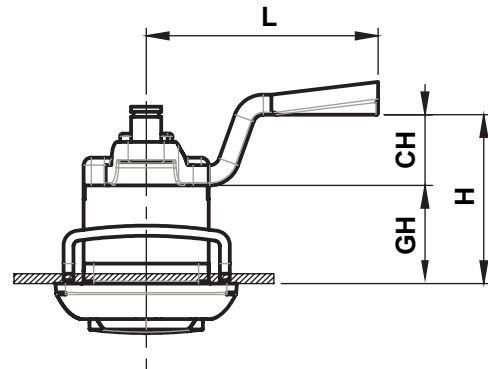
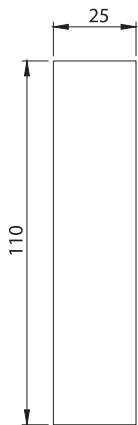
LH/RH

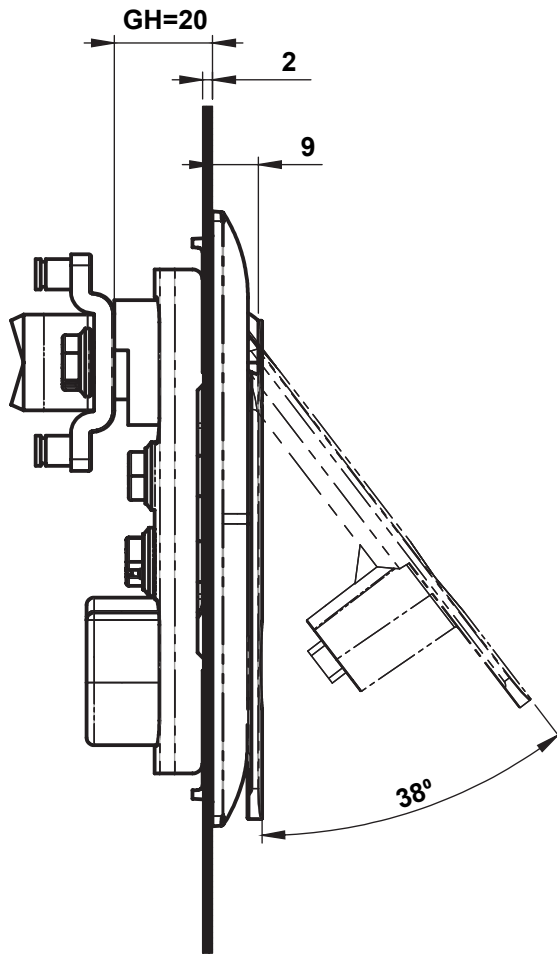


RoHS



CUTOUT





Swinghandles

2102 - Swinghandle

	Barrel Type	Complete Zinc Die Black Coated	Complete Plastic
	Double bit 3 mm	2102 - 041 - xxx	2217 - 041 - xxx
	Double bit 5 mm	2102 - 042 - xxx	2217 - 042 - xxx
	Triangular 7 mm	2102 - 047 - xxx	2217 - 047 - xxx
	Triangular 8 mm	2102 - 043 - xxx	2217 - 043 - xxx
	Triangular 9 mm	2102 - 049 - xxx	2217 - 049 - xxx
	Square 7 mm	2102 - 044 - xxx	2217 - 044 - xxx
	Square 8 mm	2102 - 045 - xxx	2217 - 045 - xxx
	Slotted	2102 - 048 - xxx	2217 - 048 - xxx

	Keyed 3333	2102 - 113 - xxx	2217 - 113 - xxx
	Keyed Same	2102 - 117 - xxx	2217 - 117 - xxx
	Keyed Differ	2102 - 119 - xxx	2217 - 119 - xxx

For the chrome plated version, please use 2122 code instead of 2102.
You may chose the XXX section from the tables of cams with stopper.

MATERIAL

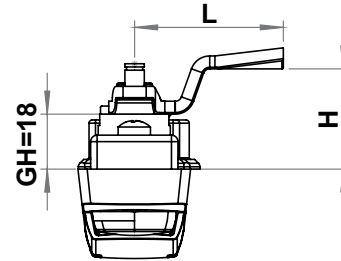
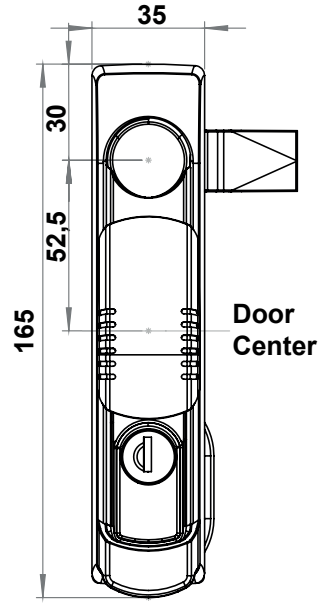
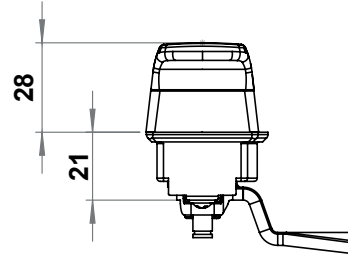
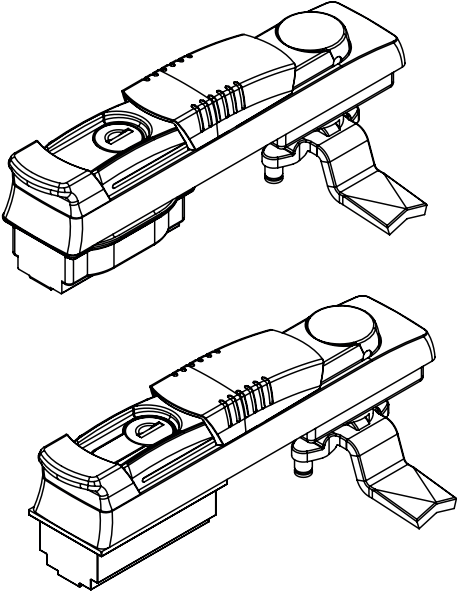
Housing	: Zinc die, black coated or chrome plated / Polyamide (PA6 GFR30), black
Handle	: Zinc die, black coated or chrome plated / Polyamide (PA6 GFR30), black
Cam	: Steel, zinc plated

OPTIONS

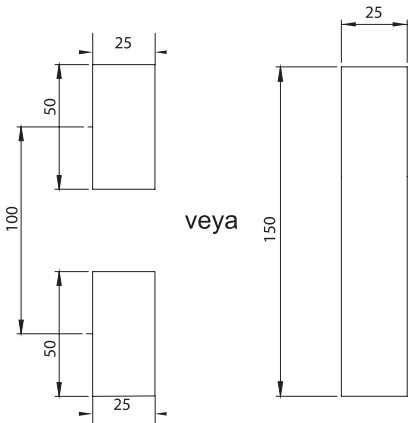
Cams	:
Round Rods	:
Rod Guides	:

* The handle operates with in 180°, if you want to stop it in 90°, please contact Elkomsan.

IP 65	Complete Plastic	Complete Zinc Die		LH/RH	
					RoHS

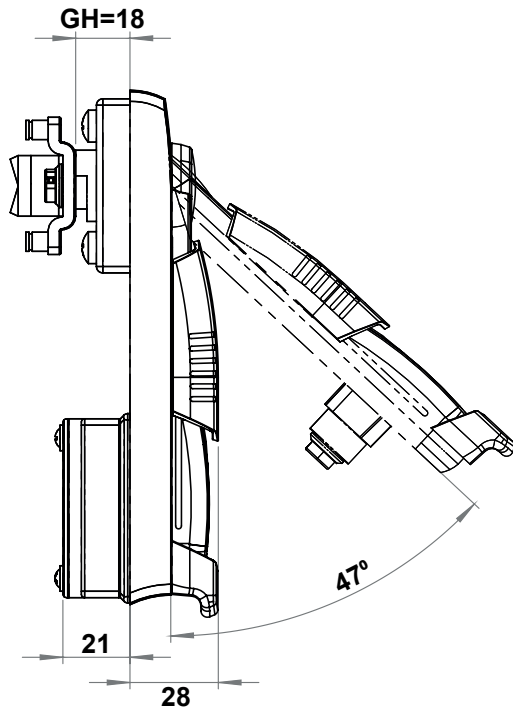


CUTOUT



2206 - Swinghandle

Barrel Type		
	Double bit 3 mm	2206 - 041 - xxx
	Double bit 5 mm	2206 - 042 - xxx
	Triangular 7 mm	2206 - 047 - xxx
	Triangular 8 mm	2206 - 043 - xxx
	Triangular 9 mm	2206 - 049 - xxx
	Square 7 mm	2206 - 044 - xxx
	Square 8 mm	2206 - 045 - xxx
	Slotted	2206 - 048 - xxx
	Keyed 3333	2206 - 023 - xxx
	Keyed Same	2206 - 027 - xxx
	Keyed Differ	2206 - 029 - xxx



Swinghandles

2206 - Swinghandle

Profile Cylinder Type		
	Double bit 3 mm	2206 - 031 - xxx
	Double bit 5 mm	2206 - 032 - xxx
	Triangular 7 mm	2206 - 037 - xxx
	Triangular 8 mm	2206 - 033 - xxx
	Triangular 9 mm	2206 - 039 - xxx
	Square 7 mm	2206 - 034 - xxx
	Square 8 mm	2206 - 035 - xxx
	Slotted	2206 - 038 - xxx
	Keyed 3333	2206 - 013 - xxx
	Keyed Same	2206 - 017 - xxx
	Keyed Differ	2206 - 019 - xxx

You may chose the XXX section from the tables of cams with stopper.

MATERIAL

Handle : Polyamide (PA6 GFR30), black
Panel : Polyamide (PA6 GFR30), black
Sliding Cover : Polyamide (PA6 GFR30), black
Cam : Steel, zinc plated

OPTIONS

Cams :
Round Rods :
Rod Guides :

* Suitable for Ts=1,5-2mm

IP 65

Complete Plastic

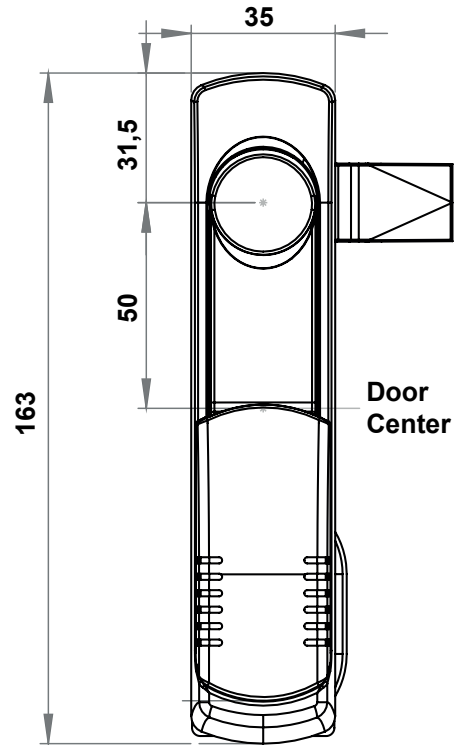
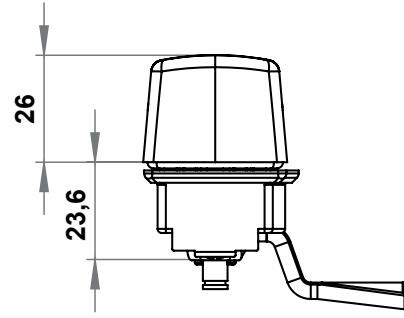
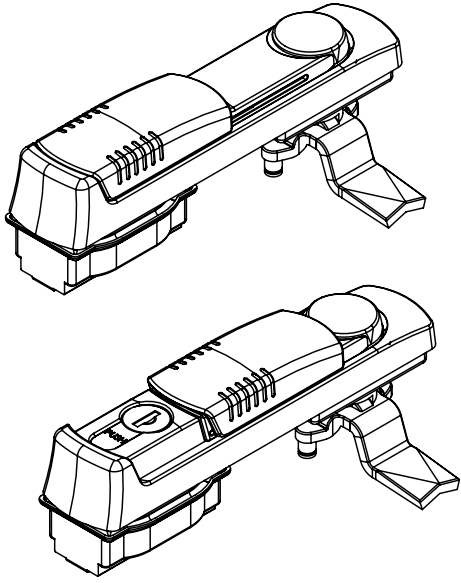


LH/RH

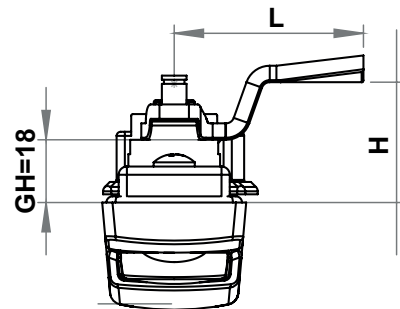
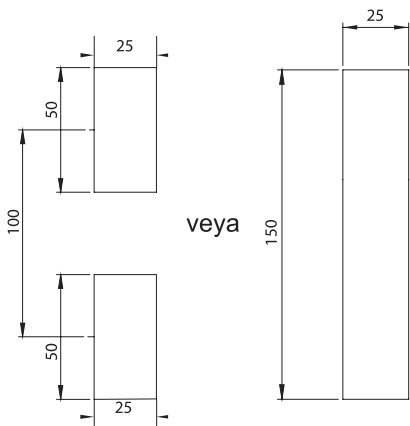


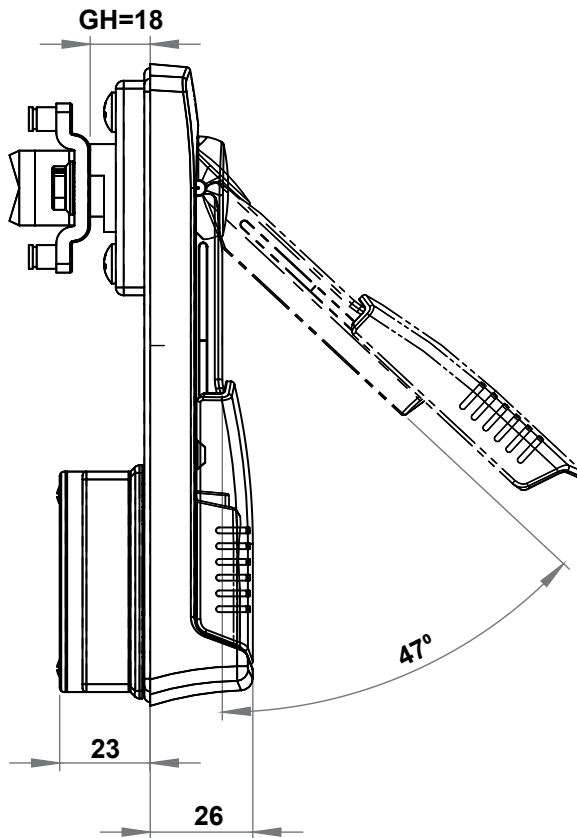
RoHS

Swinghandles



CUTOUT





Swinghandles

2214 - Swinghandle

Profile Cylinder Type		
	Double bit 3 mm	2214 - 031 - xxx
	Double bit 5 mm	2214 - 032 - xxx
	Triangular 7 mm	2214 - 037 - xxx
	Triangular 8 mm	2214 - 033 - xxx
	Triangular 9 mm	2214 - 039 - xxx
	Square 7 mm	2214 - 034 - xxx
	Square 8 mm	2214 - 035 - xxx
	Slotted	2214 - 038 - xxx
	Keyed 3333	2214 - 013 - xxx
	Keyed Same	2214 - 017 - xxx
	Keyed Differ	2214 - 019 - xxx
PUSH LOCK 	Keyed 3333	2214 - 713 - xxx
	Keyed Same	2214 - 717 - xxx
	Keyed Differ	2214 - 719 - xxx

You may chose the XXX section from the tables of cams with stopper.

MATERIAL

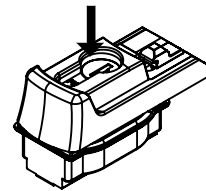
Housing : Polyamide (PA6 GFR30), black
Handle : Polyamide (PA6 GFR30), black
Sliding Cover : Polyamide (PA6 GFR30), black
Cam : Steel, zinc plated

OPTIONS

Cams :
Round Rods :
Rod Guides :

* Suitable for Ts=1,5-2mm

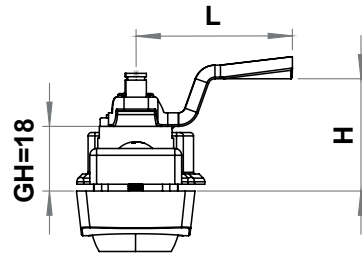
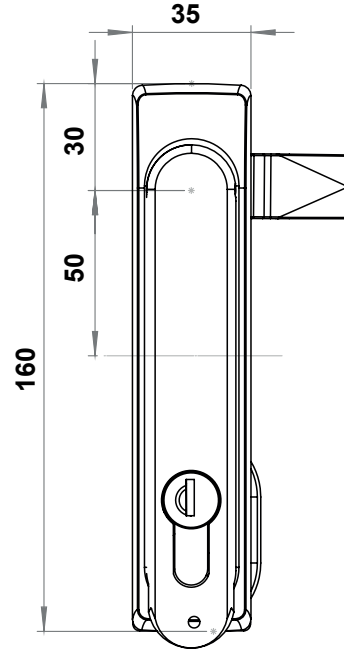
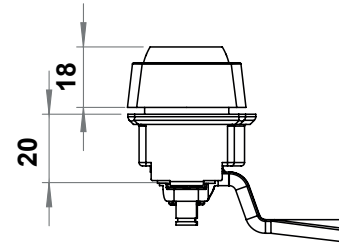
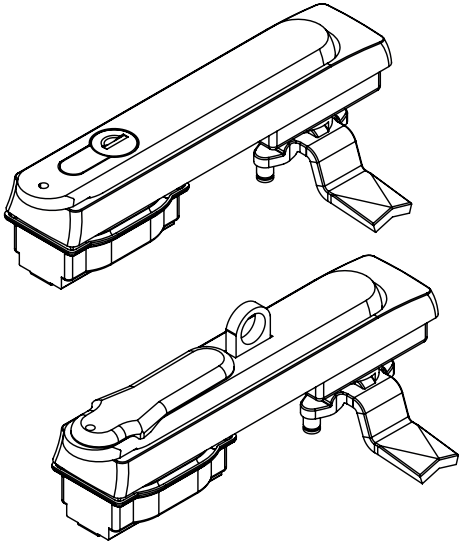
PUSH LOCK



If the key is in open position, the handle is opened by cylinder

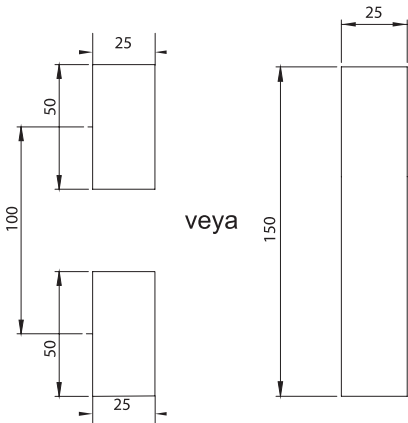
If the key is in closed position, the handle can not be opened.

IP 65	Complete Plastic		LH/RH



* Stainless Steel version is available

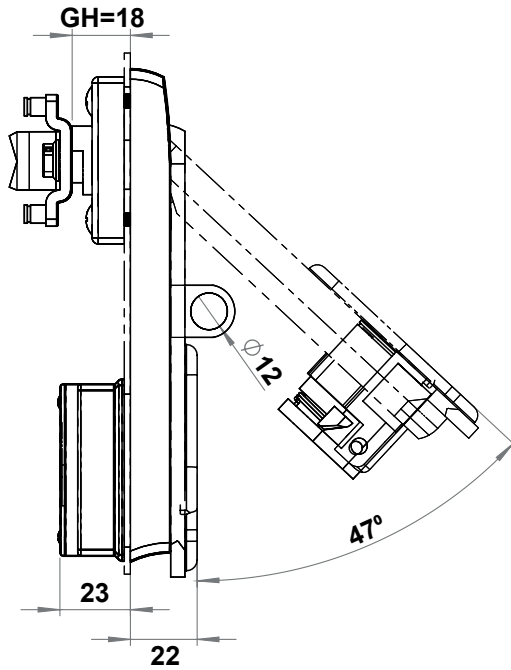
CUTOUT



2204 - Swinghandle








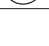


	No Padlock	No Dustcover	With Dustcover
	Double bit 3 mm	2204 - 031 - xxx	2204 - 131 - xxx
	Double bit 5 mm	2204 - 032 - xxx	2204 - 132 - xxx
	Triangular 7 mm	2204 - 037 - xxx	2204 - 137 - xxx
	Triangular 8 mm	2204 - 033 - xxx	2204 - 133 - xxx
	Triangular 9 mm	2204 - 039 - xxx	2204 - 139 - xxx
	Square 7 mm	2204 - 034 - xxx	2204 - 134 - xxx
	Square 8 mm	2204 - 035 - xxx	2204 - 135 - xxx
	Slotted	2204 - 038 - xxx	2204 - 138 - xxx
	Keyed 3333	2204 - 013 - xxx	2204 - 113 - xxx
	Keyed Same	2204 - 017 - xxx	2204 - 117 - xxx
	Keyed Differ	2204 - 019 - xxx	2204 - 119 - xxx

You may chose the XXX section from the tables of cams with stopper.



Swinghandles

2204 - Swinghandle

Padlock Applicable 		No Dustcover	With Dustcover
	Double bit 3 mm	2204 - 331 - xxx	2204 - 231 - xxx
	Double bit 5 mm	2204 - 332 - xxx	2204 - 232 - xxx
	Triangular 7 mm	2204 - 337 - xxx	2204 - 237 - xxx
	Triangular 8 mm	2204 - 333 - xxx	2204 - 233 - xxx
	Triangular 9 mm	2204 - 339 - xxx	2204 - 239 - xxx
	Square 7 mm	2204 - 334 - xxx	2204 - 234 - xxx
	Square 8 mm	2204 - 335 - xxx	2204 - 235 - xxx
	Slotted	2204 - 338 - xxx	2204 - 238 - xxx
	Keyed 3333	2204 - 313 - xxx	2204 - 213 - xxx
	Keyed Same	2204 - 317 - xxx	2204 - 217 - xxx
	Keyed Differ	2204 - 319 - xxx	2204 - 219 - xxx

You may chose the XXX section from the tables of cams with stopper.



MATERIAL

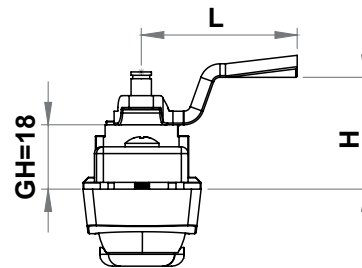
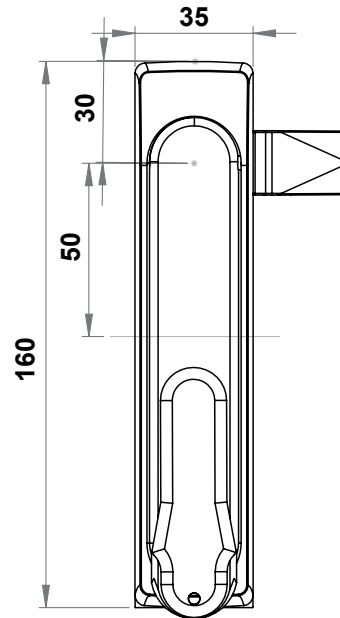
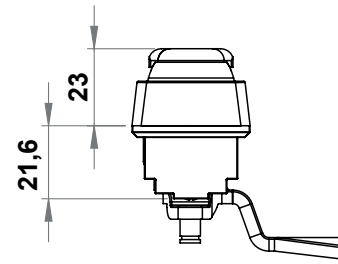
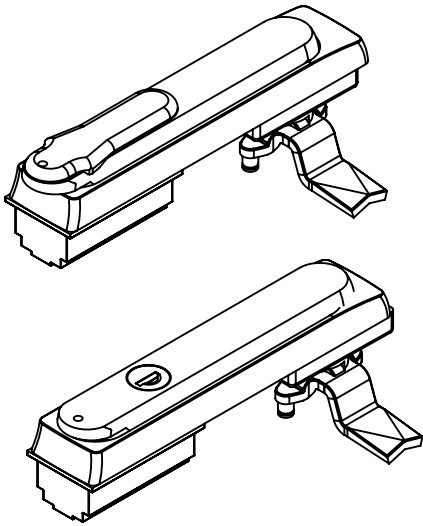
Housing : Polyamide (PA6 GFR30), black
Handle : Polyamide (PA6 GFR30), black
Dustcover : Polyamide (PA6 GFR30), black
Cam : Steel, zinc plated
Padlock Device : Stainless steel AISI 304

OPTIONS

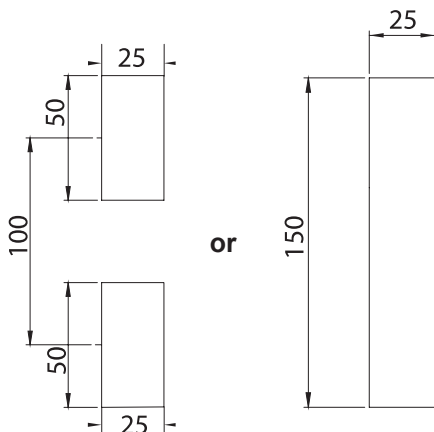
Cams :
Round Rods :
Rod Guides :

* Suitable for Ts=1,5-2mm

IP 65		Complete Plastic		LH/RH
				RoHS

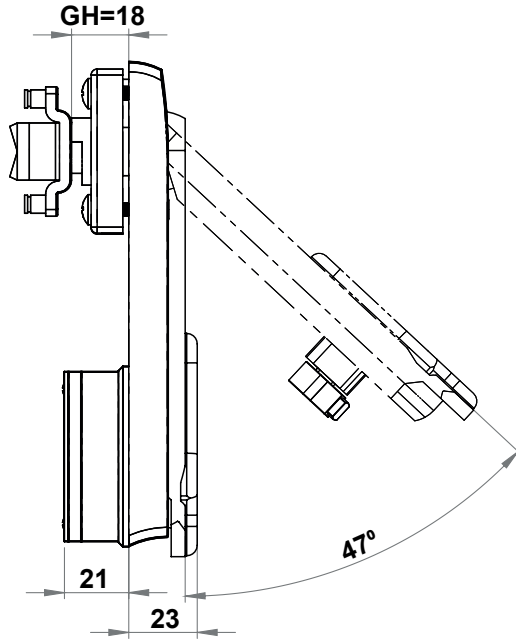


CUTOUT










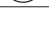
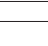

2205 - Swinghandle

	No Padlock	No Dustcover	With Dustcover
	Double bit 3 mm	2205 - 041 - xxx	2205 - 141 - xxx
	Double bit 5 mm	2205 - 042 - xxx	2205 - 142 - xxx
	Triangular 7 mm	2205 - 047 - xxx	2205 - 147 - xxx
	Triangular 8 mm	2205 - 043 - xxx	2205 - 143 - xxx
	Triangular 9 mm	2205 - 049 - xxx	2205 - 149 - xxx
	Square 7 mm	2205 - 044 - xxx	2205 - 144 - xxx
	Square 8 mm	2205 - 045 - xxx	2205 - 145 - xxx
	Slotted	2205 - 048 - xxx	2205 - 148 - xxx
	Keyed 3333	2205 - 023 - xxx	2204 - 123 - xxx
	Keyed Same	2205 - 027 - xxx	2204 - 127 - xxx
	Keyed Differ	2205 - 029 - xxx	2204 - 129 - xxx



Swinghandles

2204 - Swinghandle

Padlock Applicable 		No Dustcover	With Dustcover
	Double bit 3 mm	2205 - 341 - xxx	2205 - 241 - xxx
	Double bit 5 mm	2205 - 342 - xxx	2205 - 242 - xxx
	Triangular 7 mm	2205 - 347 - xxx	2205 - 247 - xxx
	Triangular 8 mm	2205 - 343 - xxx	2205 - 243 - xxx
	Triangular 9 mm	2205 - 349 - xxx	2205 - 249 - xxx
	Square 7 mm	2205 - 344 - xxx	2205 - 244 - xxx
	Square 8 mm	2205 - 345 - xxx	2205 - 245 - xxx
	Slotted	2205 - 348 - xxx	2205 - 248 - xxx
	Keyed 3333	2205 - 323 - xxx	2205 - 223 - xxx
	Keyed Same	2205 - 327 - xxx	2205 - 227 - xxx
	Keyed Differ	2205 - 329 - xxx	2205 - 229 - xxx

You may chose the XXX section from the tables of cams with stopper.




MATERIAL

Handle : Polyamide (PA6 GFR30), black
Housing : Polyamide (PA6 GFR30), Black
Dustcover : Polyamide (PA6 GFR30), black
Cam : Steel, zinc plated
Padlock Device : Stainless steel AISI 304

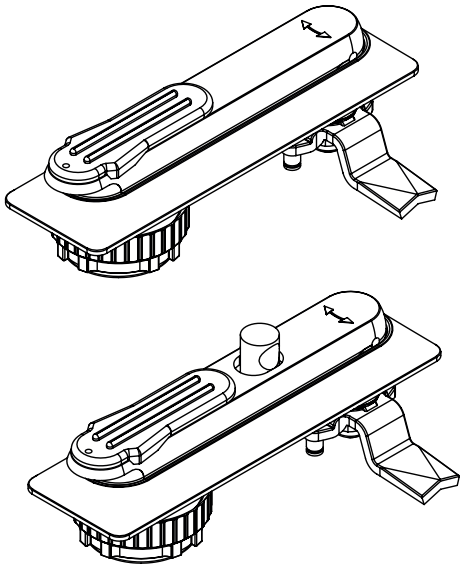
OPTIONS

Cams :
Round Rods :
Rod Guides :

* Suitable for Ts=1,5-2mm

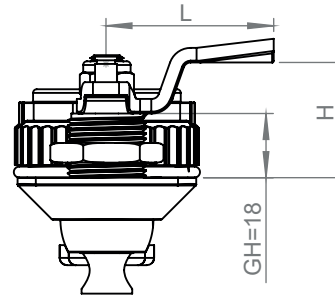
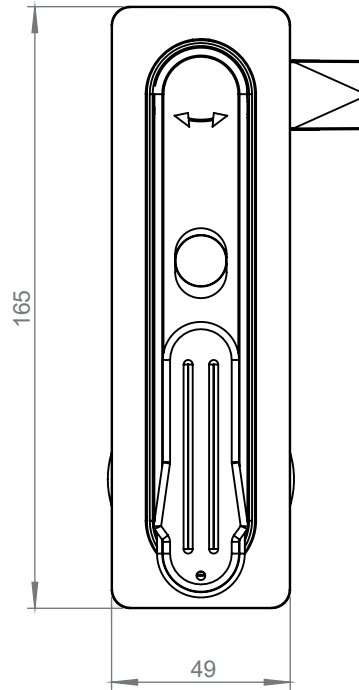
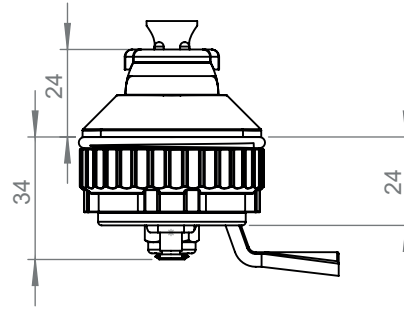
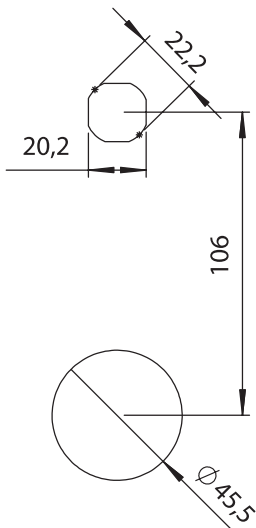
IP 65		Complete Plastic		LH/RH
				RoHS

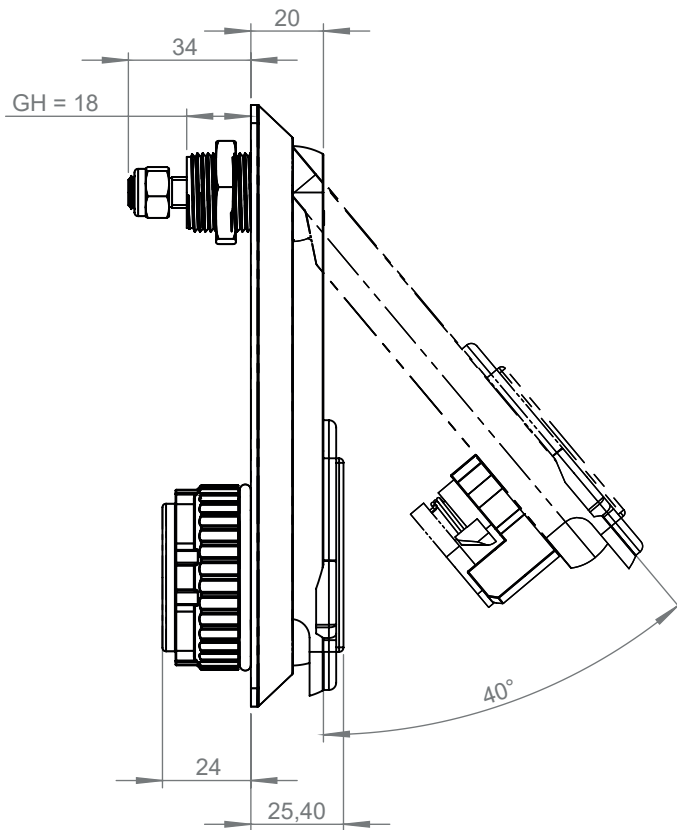
Swinghandles



* Push to Close

CUTOUT





2215 - Swinghandle

Barrel Type	With Dustcover	With Dustcover Padlock Applicable
	2215 - 131 - xxx	2215 - 231 - xxx
	2215 - 132 - xxx	2215 - 232 - xxx
	2215 - 137 - xxx	2215 - 237 - xxx
	2215 - 133 - xxx	2215 - 233 - xxx
	2215 - 139 - xxx	2215 - 239 - xxx
	2215 - 134 - xxx	2215 - 234 - xxx
	2215 - 135 - xxx	2215 - 235 - xxx
	2215 - 138 - xxx	2215 - 238 - xxx

	Keyed 3333	2215 - 113 - xxx	2215 - 213 - xxx
	Keyed Same	2215 - 117 - xxx	2215 - 217 - xxx
	Keyed Differ	2215 - 119 - xxx	2215 - 219 - xxx

You may chose the XXX section from the tables of cams with stopper.



Swinghandles

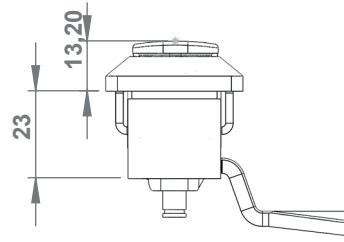
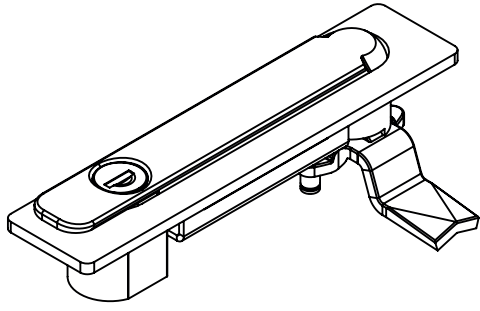
MATERIAL

Handle : Polyamide (PA6 GFR30), black
Housing : Polyamide (PA6 GFR30), black
Dustcover : Polyamide (PA6 GFR30), black
Cam : Steel, zinc plated
Padlock Device : Stainless steel AISI 304

OPTIONS

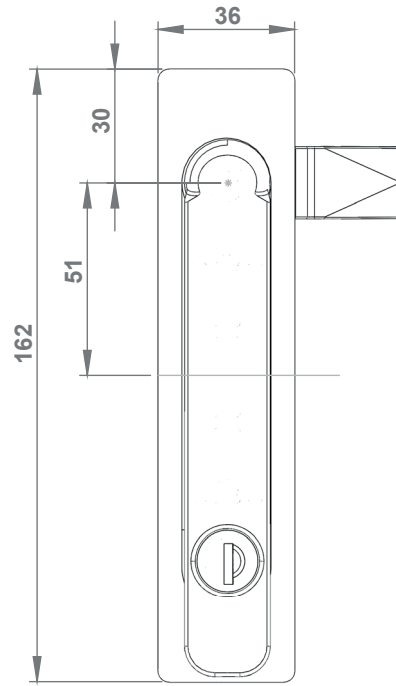
Cams :
Round Rods :
Rod Guides :

IP 65		Complete Plastic		LH/RH
				RoHS

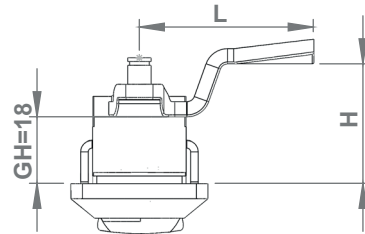
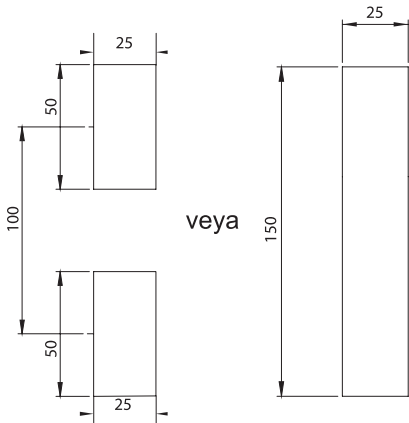


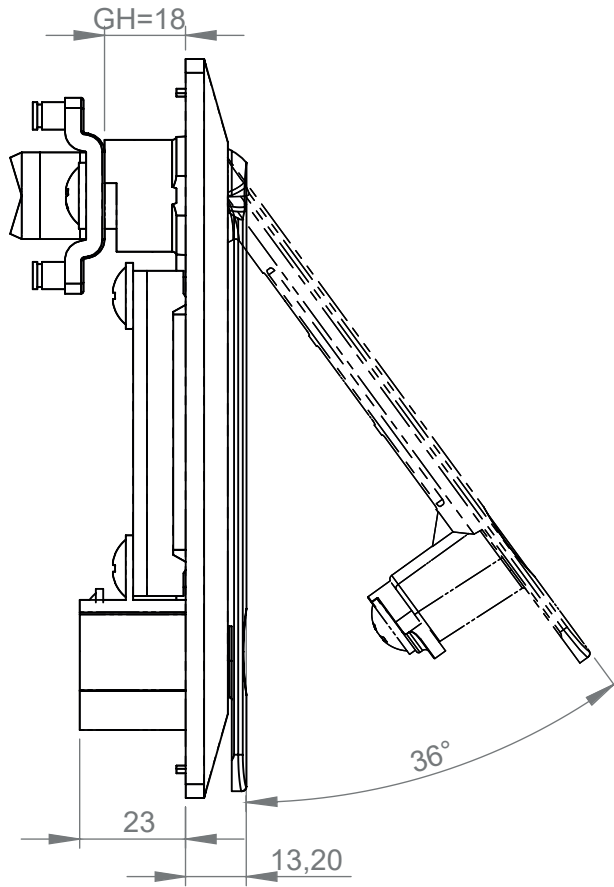
Swinghandles

* Stainless Steel version is available



CUTOUT





Swinghandles

2207 - Swinghandle

Barrel Type		
	Double bit 3 mm	2207 - 041 - xxx
	Double bit 5 mm	2207 - 042 - xxx
	Triangular 7 mm	2207 - 047 - xxx
	Triangular 8 mm	2207 - 043 - xxx
	Triangular 9 mm	2207 - 049 - xxx
	Square 7 mm	2207 - 044 - xxx
	Square 8 mm	2207 - 045 - xxx
	Slotted	2207 - 048 - xxx
	Keyed 3333	2207 - 023 - xxx
	Keyed Same	2207 - 027 - xxx
	Keyed Differ	2207 - 029 - xxx

You may chose the XXX section from the tables of cams with stopper.

MATERIAL

Handle : Polyamide (PA6 GFR30), black
Panel : Polyamide (PA6 GFR30), black
Cam : Steel, zinc plated.

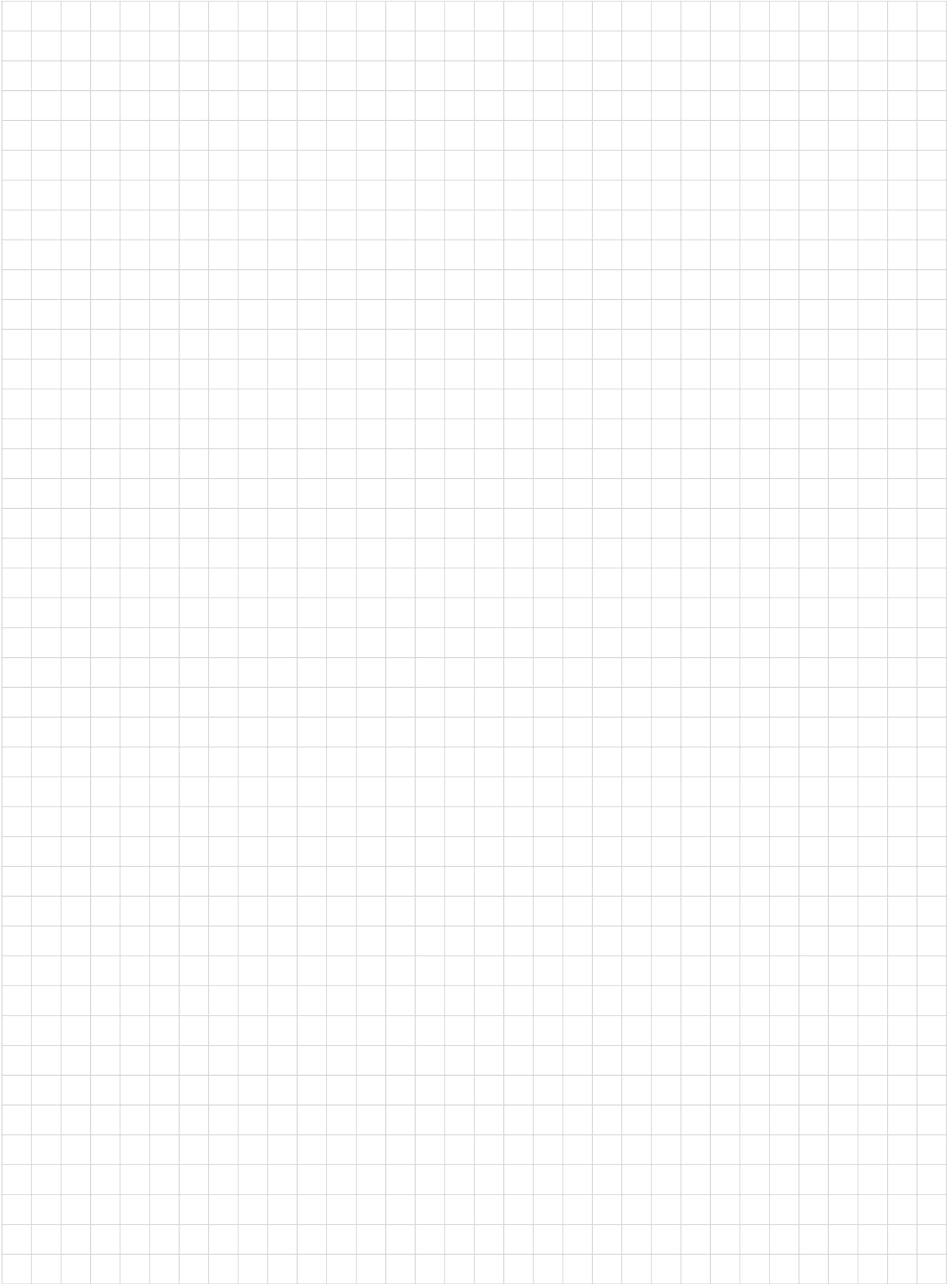
OPTIONS

Cams :
Round Rods :
Rod Guides :

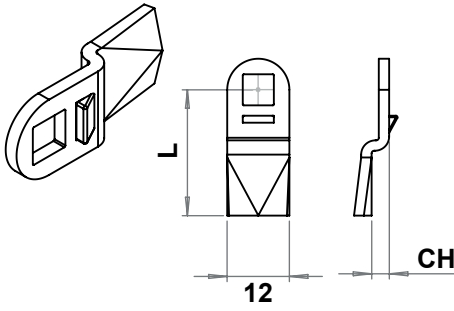
* The handle operates within 180°, if you want to stop it in 90° please contact Elkomsan

IP 65	Complete Plastic		LH/RH
			RoHS

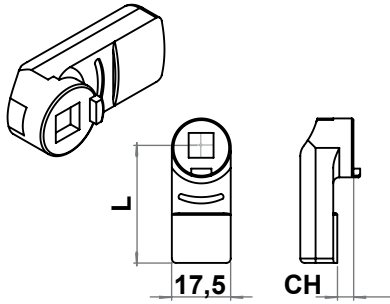
Swinghandles



Cams
Rods
Accessories



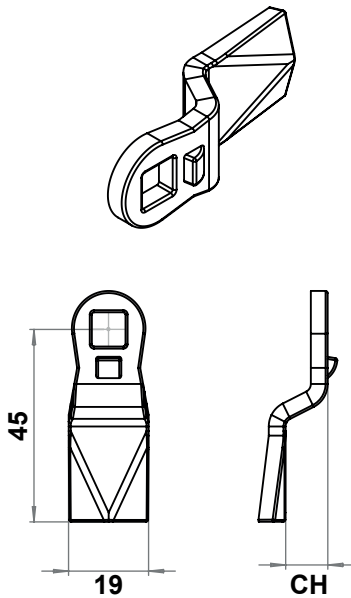
Stock Code	XXX	CH	L	GH=13,5
1900-604	604	-6	24	7,5
1900-602	602	0	24	13,5
1900-607	607	0	32	13,5
1900-606	606	0	33	13,5
1900-603	603	6	24	19,5



Stock Code	XXX	CH	L	GH=18	GH=20	GH=22	GH=32	GH=35	GH=45	GH=55	GH=65
1900-101	101	0	35	18	20	22	32	35	45	55	65
1900-111	111	0	45	18	20	22	32	35	45	55	65
1900-102	102	4	35	22	24	26	36	39	49	59	69
1900-104	104	4	40	22	24	26	36	39	49	59	69
1900-103	103	6	35	24	26	28	38	41	51	61	71
1900-105	105	6	40	24	26	28	38	41	51	61	71

Cams, Rods
Accessories

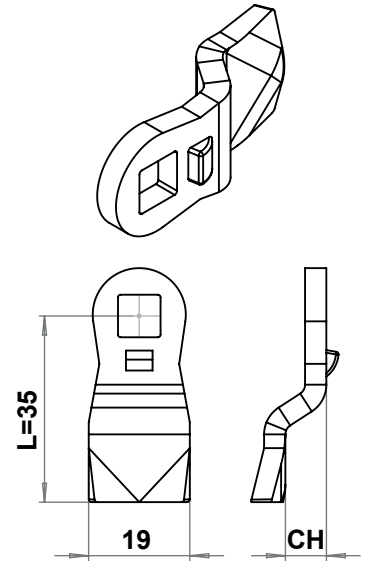
L=45 mm Standard Cams



Stock Code	XXX	CH	L	GH=18	GH=20	GH=22	GH=32	GH=35	GH=45	GH=55	GH=65
1900-200	200	-18	45	0	2	4	14	17	27	37	47
1900-204	204	-14	45	4	6	8	18	21	31	41	51
1900-206	206	-12	45	6	8	10	20	23	33	43	53
1900-208	208	-10	45	8	10	12	22	25	35	45	55
1900-210	210	-8	45	10	12	14	24	27	37	47	57
1900-212	212	-6	45	12	14	16	26	29	39	49	59
1900-213	213	-5	45	13	15	17	27	30	40	50	60
1900-214	214	-4	45	14	16	18	28	31	41	51	61
1900-215	215	-3	45	15	17	19	29	32	42	52	62
1900-216	216	-2	45	16	18	20	30	33	43	53	63
1900-218	218	0	45	18	20	22	32	35	45	55	65
1900-220	220	2	45	20	22	24	34	37	47	57	67
1900-222	222	4	45	22	24	26	36	39	49	59	69
1900-224	224	6	45	24	26	28	38	41	51	61	71
1900-225	225	7	45	25	27	29	39	42	52	62	72
1900-226	226	8	45	26	28	30	40	43	53	63	73
1900-227	227	9	45	27	29	31	41	44	54	64	74
1900-228	228	10	45	28	30	32	42	45	55	65	75
1900-230	230	12	45	30	32	34	44	47	57	67	77
1900-232	232	14	45	32	34	36	46	49	59	69	79
1900-234	234	16	45	34	36	38	48	51	61	71	81
1900-235	235	17	45	35	37	39	49	52	62	72	82
1900-236	236	18	45	36	38	40	50	53	63	73	83
1900-242	242	24	45	42	44	46	56	59	69	79	89
1900-244	244	26	45	44	46	48	58	61	71	81	91
1900-247	247	29	45	47	49	51	61	64	74	84	94
1900-250	250	32	45	50	52	54	64	67	77	87	97

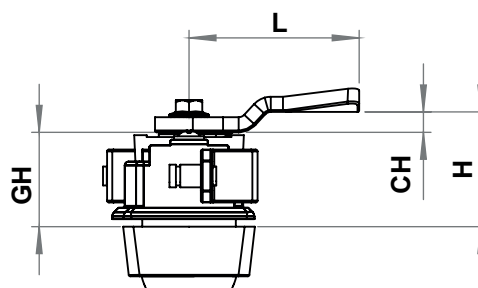
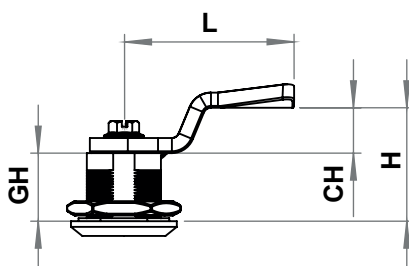
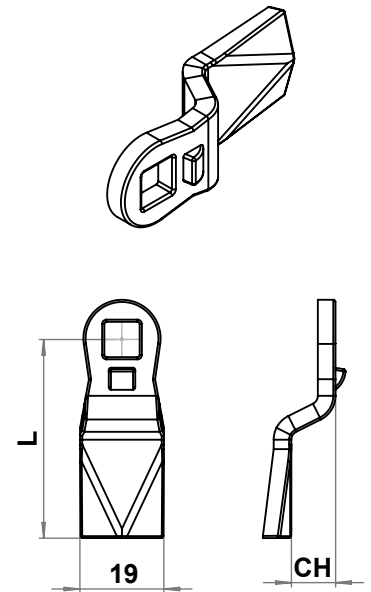
L=35 mm Standard Cams

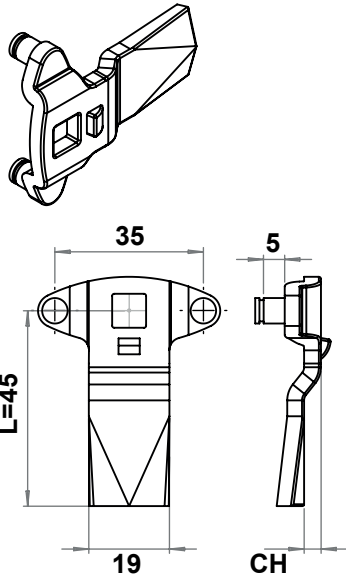
Stock Code	XXX	CH	L	GH=18	GH=20	GH=22	GH=32	GH=35	GH=45	GH=55	GH=65
1900-316	316	-2	35	16	18	20	30	33	43	53	63
1900-318	318	0	35	18	20	22	32	35	45	55	65
1900-320	320	2	35	20	22	24	34	37	47	57	67
1900-322	322	4	35	22	24	26	36	39	49	59	69
1900-324	324	6	35	24	26	28	38	41	51	61	71
1900-325	325	7	35	25	27	29	39	42	52	62	72
1900-326	326	8	35	26	28	30	40	43	53	63	73
1900-327	327	9	35	27	29	31	41	44	54	64	74
1900-328	328	10	35	28	30	32	42	45	55	65	75
1900-329	329	11	35	29	31	33	43	46	56	66	76
1900-330	330	12	35	30	32	34	44	47	57	67	77
1900-332	332	14	35	32	34	36	46	49	59	69	79



Non-Standard Cams

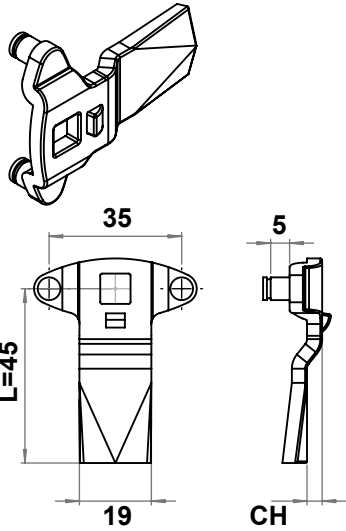
Stock Code	XXX	CH	L	GH=18	GH=20	GH=22	GH=32	GH=35	GH=45	GH=55	GH=65
1900-907	907	-11	48	7	9	11	21	24	34	44	54
1900-208-S1	208-S1	-10	47	8	10	12	22	25	35	45	55
1900-918S	918S	0	29	18	20	22	32	35	45	55	65
1900-118	118	0	37,5	18	20	22	32	35	45	55	65
1900-218S1	218S1	0	51	18	20	22	32	35	45	55	65
1900-218S	218S	0	55	18	20	22	32	35	45	55	65
1900-921	921	3	38	21	23	25	35	38	48	58	68
1900-922	922	4	55	22	24	26	36	39	49	59	69
1900-224-S1	224-S1	6	??	24	26	28	38	41	51	61	71
1900-225-S1	225-S1	7	28	25	27	29	39	42	52	62	72
1900-927	927	7	48	25	27	29	39	42	52	62	72
1900-925	925	7	49	25	27	29	39	42	52	62	72
1900-327S	327S	9	36	27	29	31	41	44	54	64	74
1900-228S	228S	10	48	28	30	32	42	45	55	65	75
1900-230S1	230S1	12	51	30	32	34	44	47	57	67	77
1900-236S1	236S1	18	51	36	38	40	50	53	63	73	83
1900-236S	236S	18	52	36	38	40	50	53	63	73	83
1900-240-S1	240-S1	22	47	40	42	44	54	57	67	77	87
1900-344-S1	344-S1	26	36	44	46	48	58	61	71	81	91
1900-346-S1	346-S1	28	36	46	48	50	60	63	73	83	93





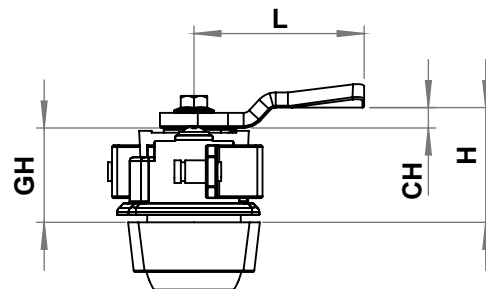
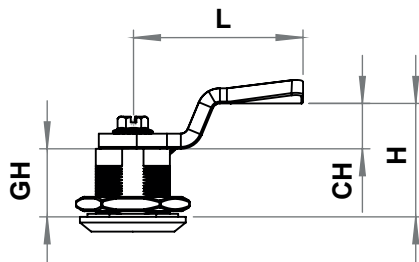
L=45mm T Cams

Stock Code	XXX	CH	L	GH=18	GH=20	GH=22	GH=32	GH=35	GH=45	GH=55	GH=65
1900-418	418	0	45	18	20	22	32	35	45	55	65
1900-420	420	2	45	20	22	24	34	37	47	57	67
1900-422	422	4	45	22	24	26	36	39	49	59	69
1900-424	424	6	45	24	26	28	38	41	51	61	71
1900-425	425	7	45	25	27	29	39	42	52	62	72
1900-426	426	8	45	26	28	30	40	43	53	63	73
1900-428	428	10	45	28	30	32	42	45	55	65	75
1900-430	430	12	45	30	32	34	44	47	57	67	77
1900-432	432	14	45	32	34	36	46	49	59	69	79
1900-435	435	17	45	35	37	39	49	52	62	72	82
1900-447	447	29	45	47	49	51	61	64	74	84	94
1900-450	450	32	45	50	52	54	64	67	77	87	97



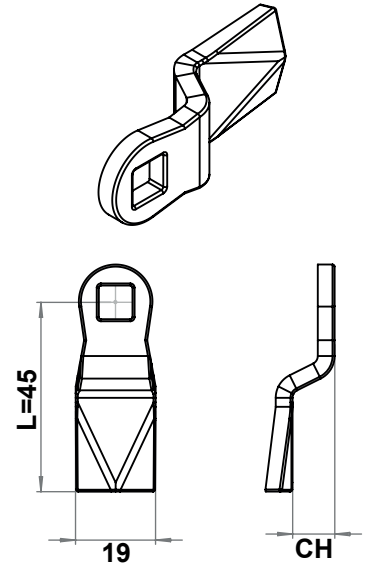
Non-Standard Cams

Stok-Kodu	XXX	CH	L	GH=18	GH=20	GH=22	GH=32	GH=35	GH=45	GH=55	GH=65
1900-155	155	0	55	18	20	22	32	35	45	55	65
1900-424S	424S	6	43	24	26	28	38	41	51	61	71
1900-426S	426S	8	52	26	28	30	40	43	53	63	73
1900-430S	430S	12	49	30	32	34	44	47	57	67	77
1900-433	433	13	47	31	33	35	45	48	58	68	78
1900-432S	432S	14	46	32	34	36	46	49	59	69	79
1900-434	434	17	22	35	37	39	49	52	62	72	82



L=45mm Standard Cams

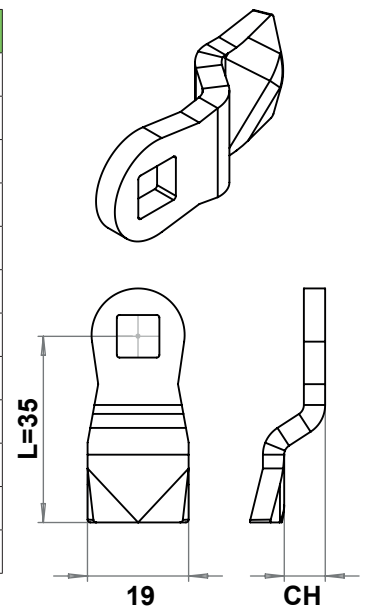
Stock Code	XXX	CH	L	GH=18	GH=20	GH=22	GH=32	GH=35	GH=45	GH=55	GH=65
1900-200-0	200-0	-18	45	0	2	4	14	17	27	37	47
1900-204-0	204-0	-14	45	4	6	8	18	21	31	41	51
1900-206-0	206-0	-12	45	6	8	10	20	23	33	43	53
1900-208-0	208-0	-10	45	8	10	12	22	25	35	45	55
1900-210-0	210-0	-8	45	10	12	14	24	27	37	47	57
1900-212-0	212-0	-6	45	12	14	16	26	29	39	49	59
1900-213-0	213-0	-5	45	13	15	17	27	30	40	50	60
1900-214-0	214-0	-4	45	14	16	18	28	31	41	51	61
1900-215-0	215-0	-3	45	15	17	19	29	32	42	52	62
1900-216-0	216-0	-2	45	16	18	20	30	33	43	53	63
1900-218-0	218-0	0	45	18	20	22	32	35	45	55	65
1900-220-0	220-0	2	45	20	22	24	34	37	47	57	67
1900-222-0	222-0	4	45	22	24	26	36	39	49	59	69
1900-224-0	224-0	6	45	24	26	28	38	41	51	61	71
1900-225-0	225-0	7	45	25	27	29	39	42	52	62	72
1900-226-0	226-0	8	45	26	28	30	40	43	53	63	73
1900-227-0	227-0	9	45	27	29	31	41	44	54	64	74
1900-228-0	228-0	10	45	28	30	32	42	45	55	65	75
1900-230-0	230-0	12	45	30	32	34	44	47	57	67	77
1900-232-0	232-0	14	45	32	34	36	46	49	59	69	79
1900-234-0	234-0	16	45	34	36	38	48	51	61	71	81
1900-235-0	235-0	17	45	35	37	39	49	52	62	72	82
1900-236-0	236-0	18	45	36	38	40	50	53	63	73	83
1900-242-0	242-0	24	45	42	44	46	56	59	69	79	89
1900-244-0	244-0	26	45	44	46	48	58	61	71	81	91
1900-247-0	247-0	29	45	47	49	51	61	64	74	84	94
1900-250-0	250-0	32	45	50	52	54	64	67	77	87	97



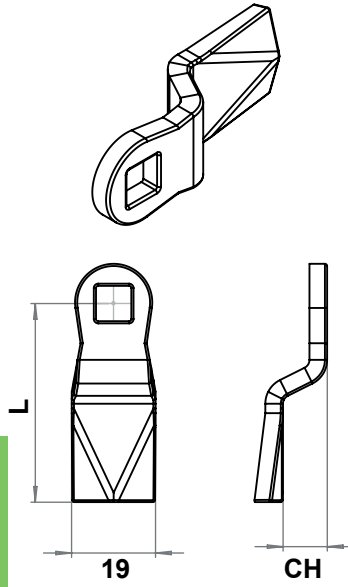
Cams, Rods
Accessories

L=35 mm Standard Cams

Stok-Kodu	XXX	CH	L	GH=18	GH=20	GH=22	GH=32	GH=35	GH=45	GH=55	GH=65
1900-316-0	316-0	-2	35	16	18	20	30	33	43	53	63
1900-318-0	318-0	0	35	18	20	22	32	35	45	55	65
1900-320-0	320-0	2	35	20	22	24	34	37	47	57	67
1900-322-0	322-0	4	35	22	24	26	36	39	49	59	69
1900-324-0	324-0	6	35	24	26	28	38	41	51	61	71
1900-325-0	325-0	7	35	25	27	29	39	42	52	62	72
1900-326-0	326-0	8	35	26	28	30	40	43	53	63	73
1900-327-0	327-0	9	35	27	29	31	41	44	54	64	74
1900-328-0	328-0	10	35	28	30	32	42	45	55	65	75
1900-329-0	329-0	11	35	29	31	33	43	46	56	66	76
1900-330-0	330-0	12	35	30	32	34	44	47	57	67	77
1900-332-0	332-0	14	35	32	34	36	46	49	59	69	79

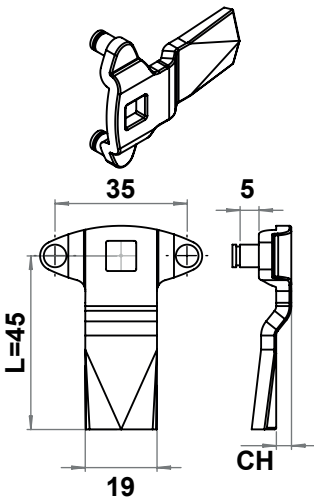


Non-Standard Cams



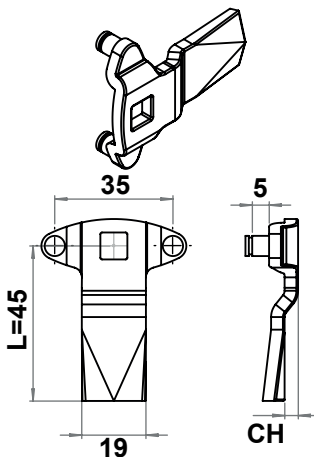
Stock Code	XXX	CH	L	GH=18	GH=20	GH=22	GH=32	GH=35	GH=45	GH=55	GH=65
1900-907-0	907-0	-11	48	7	9	11	21	24	34	44	54
1900-208-S1-0	208-S1-0	-10	47	8	10	12	22	25	35	45	55
1900-918S-0	918S-0	0	29	18	20	22	32	35	45	55	65
1900-118-0	118-0	0	37,5	18	20	22	32	35	45	55	65
1900-218S1-0	218S1-0	0	51	18	20	22	32	35	45	55	65
1900-218S-0	218S-0	0	55	18	20	22	32	35	45	55	65
1900-921-0	921-0	3	38	21	23	25	35	38	48	58	68
1900-922-0	922-0	4	55	22	24	26	36	39	49	59	69
1900-224-S1-0	224-S1-0	6	??	24	26	28	38	41	51	61	71
1900-225-S1-0	225-S1-0	7	28	25	27	29	39	42	52	62	72
1900-927-0	927-0	7	48	25	27	29	39	42	52	62	72
1900-925-0	925-0	7	49	25	27	29	39	42	52	62	72
1900-327S-0	327S-0	9	36	27	29	31	41	44	54	64	74
1900-228S-0	228S-0	10	48	28	30	32	42	45	55	65	75
1900-230S1-0	230S1-0	12	51	30	32	34	44	47	57	67	77
1900-236S1-0	236S1-0	18	51	36	38	40	50	53	63	73	83
1900-236S-0	236S-0	18	52	36	38	40	50	53	63	73	83
1900-240-S1-0	240-S1-0	22	47	40	42	44	54	57	67	77	87
1900-344-S1-0	344-S1-0	26	36	44	46	48	58	61	71	81	91
1900-346-S1-0	346-S1-0	28	36	46	48	50	60	63	73	83	93

L=45mm T Cams



Stock Code	XXX	CH	L	GH=18	GH=20	GH=22	GH=32	GH=35	GH=45	GH=55	GH=65
1900-418-0	418-0	0	45	18	20	22	32	35	45	55	65
1900-420-0	420-0	2	45	20	22	24	34	37	47	57	67
1900-422-0	422-0	4	45	22	24	26	36	39	49	59	69
1900-424-0	424-0	6	45	24	26	28	38	41	51	61	71
1900-425-0	425-0	7	45	25	27	29	39	42	52	62	72
1900-426-0	426-0	8	45	26	28	30	40	43	53	63	73
1900-428-0	428-0	10	45	28	30	32	42	45	55	65	75
1900-430-0	430-0	12	45	30	32	34	44	47	57	67	77
1900-432-0	432-0	14	45	32	34	36	46	49	59	69	79
1900-435-0	435-0	17	45	35	37	39	49	52	62	72	82
1900-447-0	447-0	29	45	47	49	51	61	64	74	84	94
1900-450-0	450-0	32	45	50	52	54	64	67	77	87	97

Non-Standard T Cams



Stock Code	XXX	CH	L	GH=18	GH=20	GH=22	GH=32	GH=35	GH=45	GH=55	GH=65
1900-418-0	418-0	0	45	18	20	22	32	35	45	55	65
1900-420-0	420-0	2	45	20	22	24	34	37	47	57	67
1900-422-0	422-0	4	45	22	24	26	36	39	49	59	69
1900-424-0	424-0	6	45	24	26	28	38	41	51	61	71
1900-425-0	425-0	7	45	25	27	29	39	42	52	62	72
1900-426-0	426-0	8	45	26	28	30	40	43	53	63	73
1900-428-0	428-0	10	45	28	30	32	42	45	55	65	75

Stock Code	XXX	CH	L	GH=13,5
1900-704	704	-6	24	7,5
1900-702	702	0	24	13,5
1900-705S	705S	1,5	30	15
1900-703	703	6	24	19,5

These cams are being used in **1890** coded products.

Stock Code	XXX	CH	L	GH=20
1900-512,7	512,7	-7,3	20	12,7
1900-516,5	516,5	-3,5	34	16,5
1900-520S1	520S1	0	32	20
1900-520	520	0	35	20
1900-520S	520S	0	45	20
1900-522	522	2	35	22
1900-523,5	523,5	3,5	39	23,5
1900-527	527	7	42	27

These cams are being used in **1004** coded products.

Stock Code	XXX	CH	L	GH=20
1900-801	801	0	53,5	20
1900-802	802	0	85	20
1900-803	803	1	53,5	21
1900-804	804	6	63	26
1900-800	800	7	40	27
1900-806	806	8	50	28
1900-805	805	13,5	76	33,5

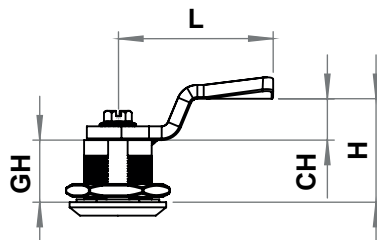
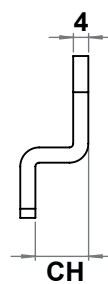
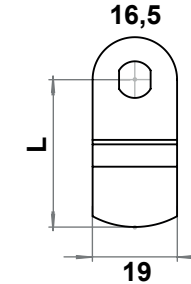
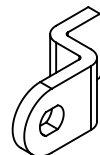
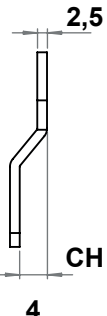
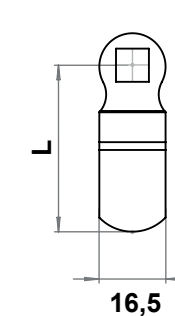
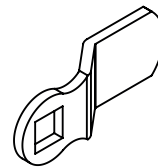
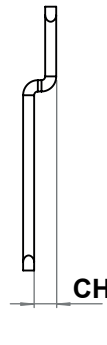
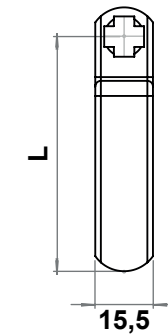
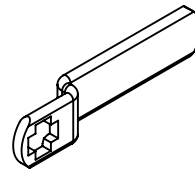
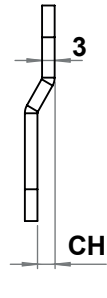
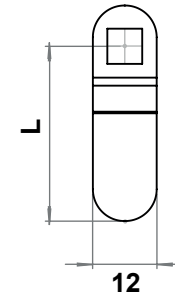
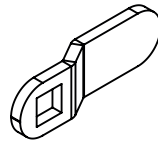
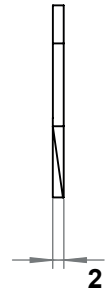
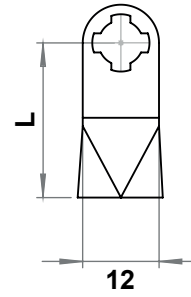
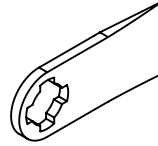
These cams are being used in **1100** coded products.

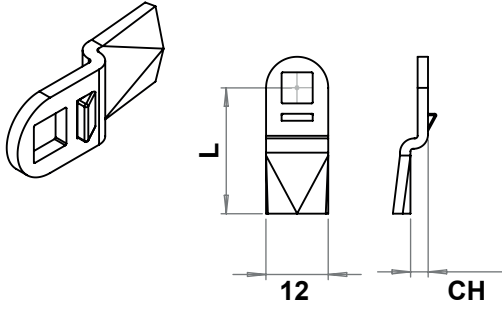
Stock Code	XXX	CH	L	GH=20
1900-8918	8918	0	45	29
1900-8925	8925	±7	45	22/36

These cams are being used in **7710** coded products.

Stock Code	XXX	CH	L
1900-941	941	0	33
1900-942	942	14	33
1900-943	943	27,5	33

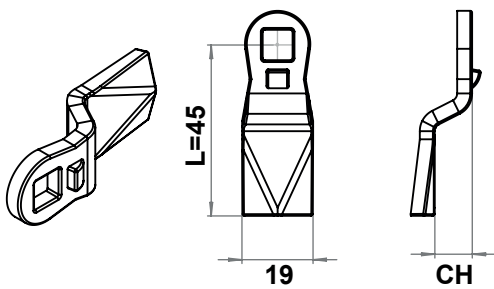
These cams are being used in **1045** coded products.



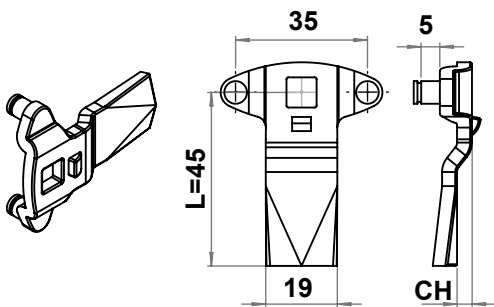


Stock Code	XXX	CH	L	GH=18
5900-604	5604	-6	24	7,5
5900-602	5602	0	24	13,5
5900-607	5607	0	32	13,5
5900-606	5606	0	33	13,5
5900-603	5603	6	24	19,5

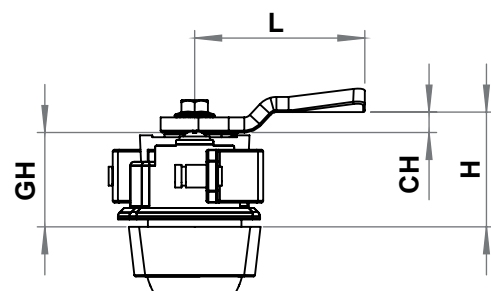
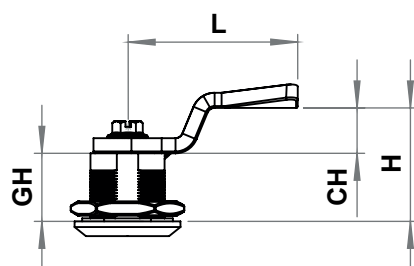
Cams, Rods
Accessories



Stock Code	XXX	CH	L	GH=18	GH=20	GH=22	GH=32
5900-5206	5206	-12	45	6	8	10	20
5900-5210	5210	-8	45	10	12	14	24
5900-5214	5214	-4	45	14	16	18	28
5900-5218	5218	0	45	18	20	22	32
5900-5220	5220	2	45	20	22	24	34
5900-5222	5222	4	45	22	24	26	36
5900-5224	5224	6	45	24	26	28	38
5900-5226	5226	8	45	26	28	30	40
5900-5228	5228	10	45	28	30	32	42
5900-5230	5230	12	45	30	32	34	44

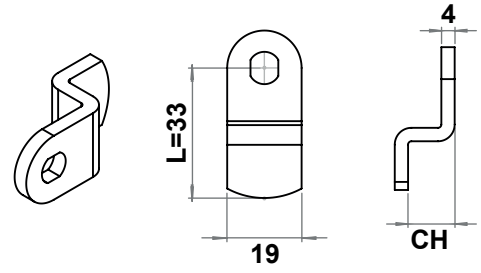


Stock Code	XXX	CH	L	GH=18	GH=20	GH=22	GH=32
5900-5422	5422	4	45	22	24	26	36
5900-5428	5428	10	45	28	30	32	42

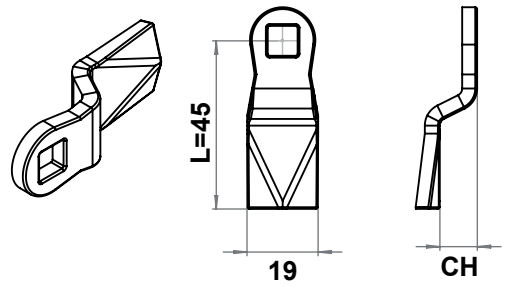


Stock Code	XXX	CH	L
5900-941	5941	0	33
5900-942	5942	14	33
5900-943	5943	27,5	33

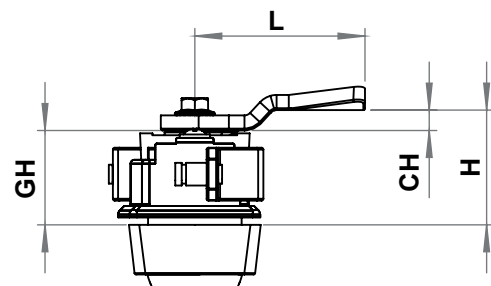
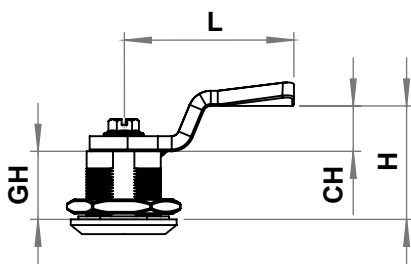
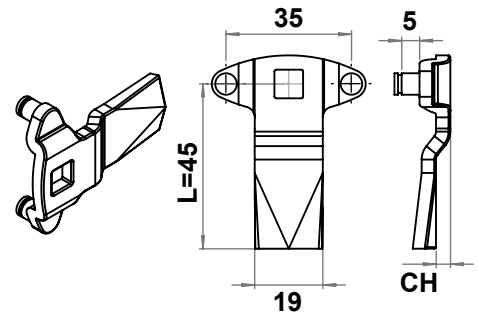
Bu diller 1545 kodlu üründe kullanılmaktadır.



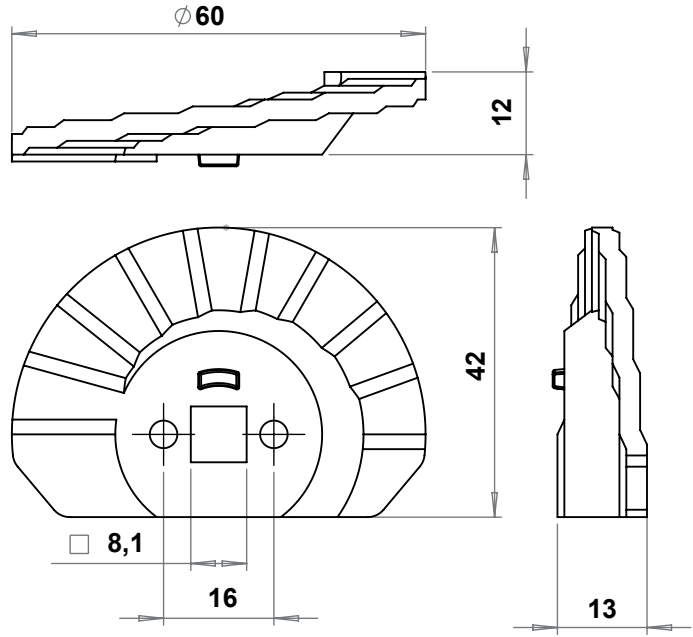
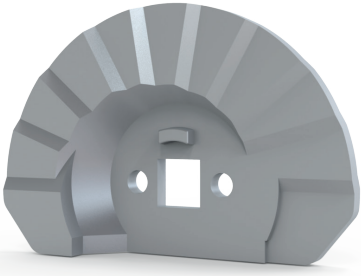
Stock Code	XXX	CH	L	GH=18	GH=20	GH=22	GH=32
5900-5206-0	5206-0	-12	45	6	8	10	20
5900-5210-0	5210-0	-8	45	10	12	14	24
5900-5214-0	5214-0	-4	45	14	16	18	28
5900-5218-0	5218-0	0	45	18	20	22	32
5900-5220-0	5220-0	2	45	20	22	24	34
5900-5222-0	5222-0	4	45	22	24	26	36
5900-5224-0	5224-0	6	45	24	26	28	38
5900-5226-0	5226-0	8	45	26	28	30	40
5900-5228-0	5228-0	10	45	28	30	32	42
5900-5230-0	5230-0	12	45	30	32	34	44



Stock Code	XXX	CH	L	GH=18	GH=20	GH=22	GH=32
5900-5422-0	5422-0	4	45	22	24	26	36
5900-5428-0	5428-0	10	45	28	30	32	42



Stepped Cam

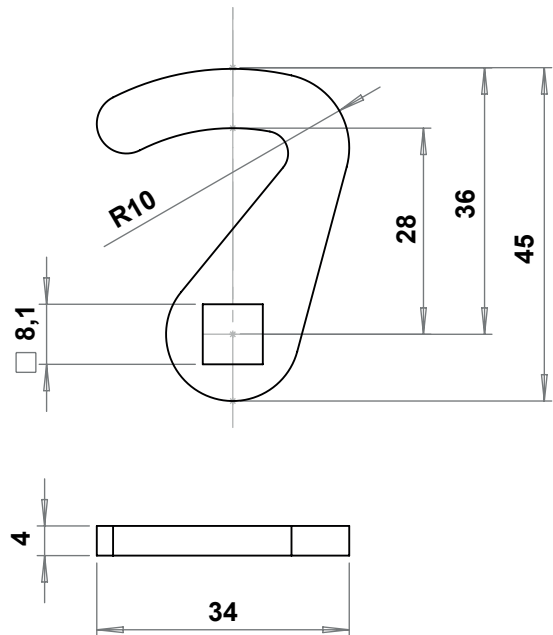


Item Number

1900-601

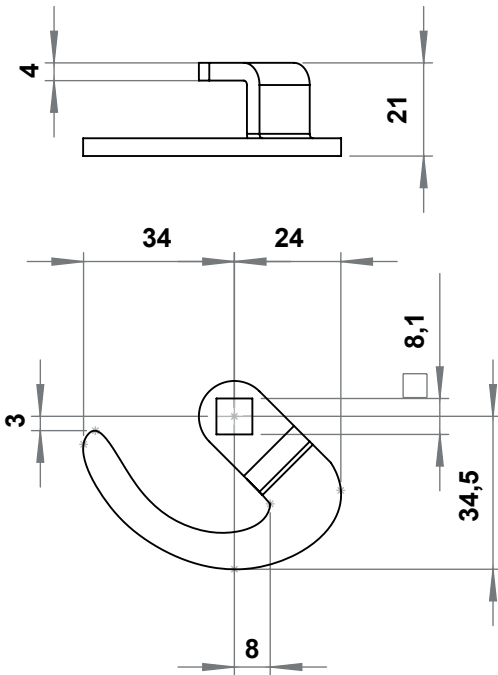
Material : Zinc die, zinc plated

Hooked Cam



	Item Number	XXX
Without Stopper	1900-690	690
With Stopper	1900-790	790

Material : Steel, zinc plated



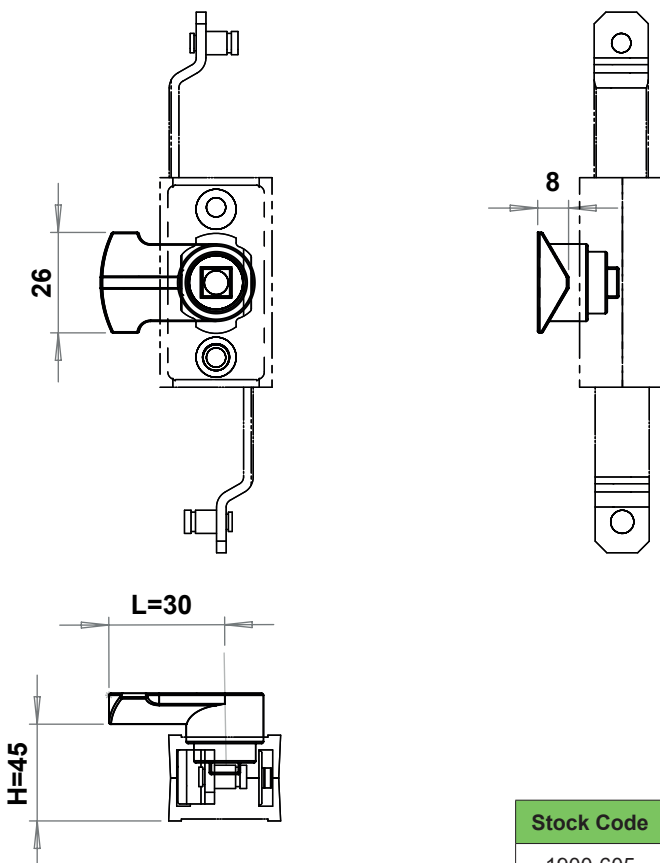
	Item Number	XXX
Without Stopper	1900-692	692
With Stopper	1900-792	792

Hooked Cam



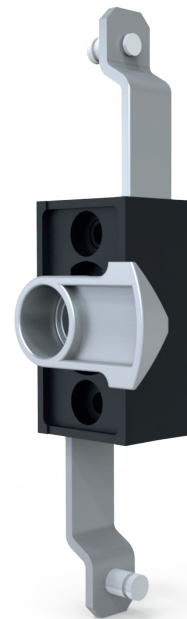
Cams, Rods
Accessories

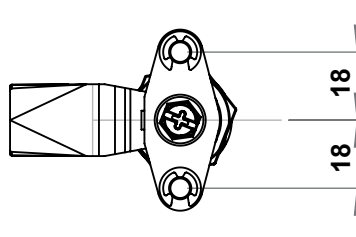
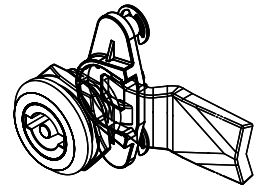
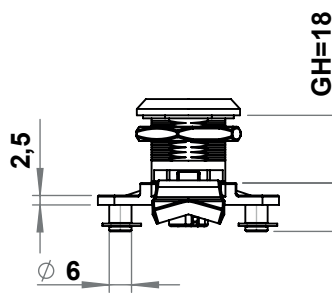
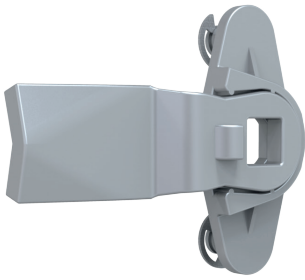
Material : Steel, zinc plated



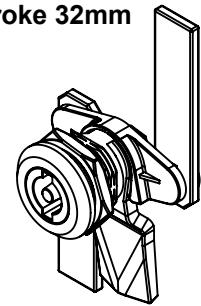
Stock Code	XXX
1900-605	605

Rod Latch Cam





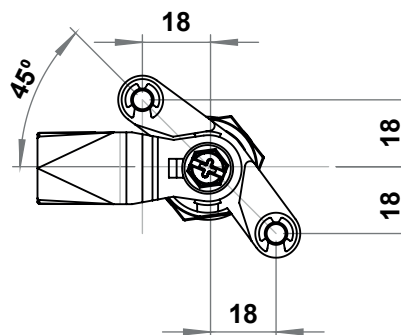
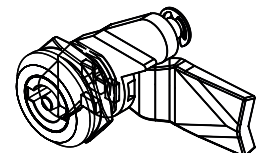
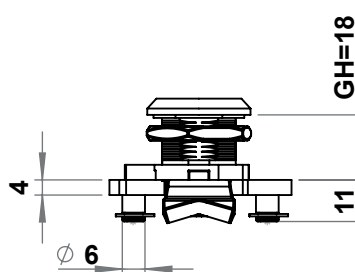
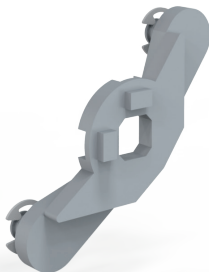
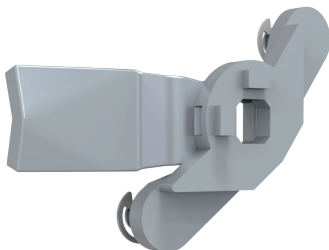
stroke 32mm



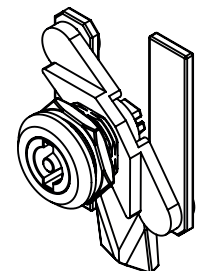
Material : Zinc die, zinc plated /
Stainless steel AISI 316

2900 - Cam Adapter

	Zinc die, Zinc plated	Stainless steel AISI 316
Item Number	2900-405	2900-455



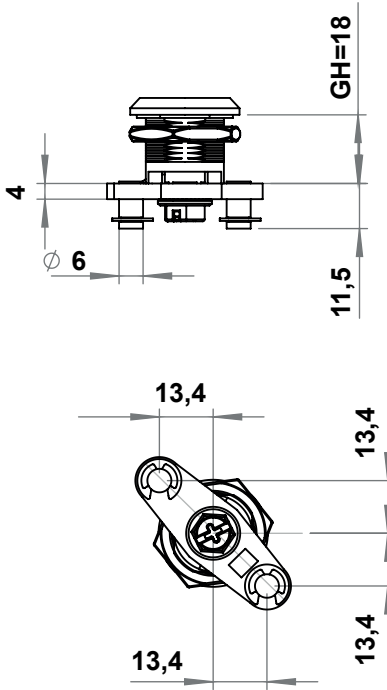
stroke 32mm



Material : Zinc die, zinc plated /
Stainless steel AISI 316

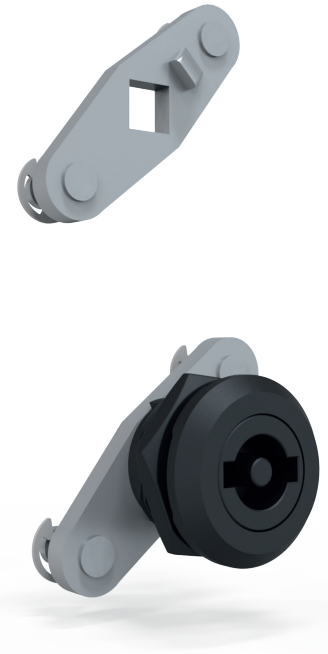
2900 - Cam Adapter

	Zinc die, Zinc plated	Stainless steel AISI 316
Item Number	2900-406	2900-455



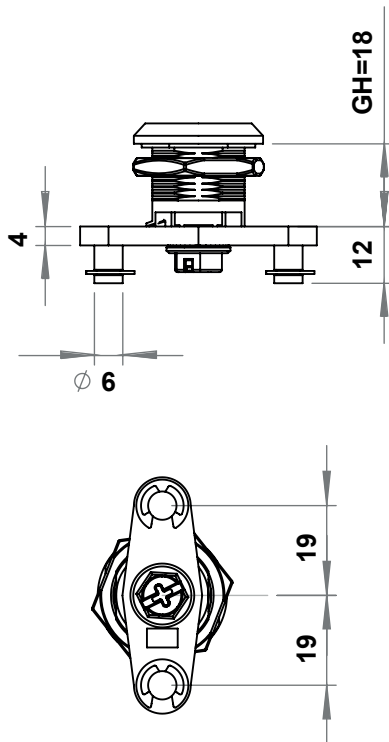
2900 - Rod Adapter

Item Number	2900-401
-------------	----------



Material : Steel, zinc plated

Cams, Rods
Accessories



2900 - Rod Adapter

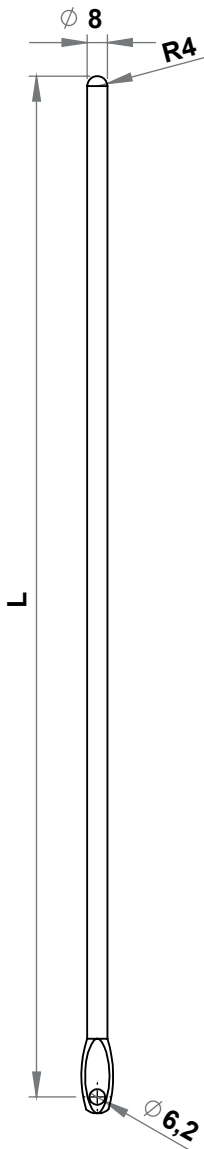
Item Number	2900-402
-------------	----------



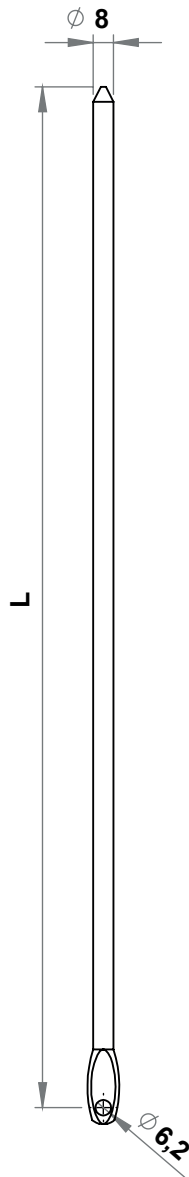
Material : Steel, zinc plated

Cams, Rods
Accessories

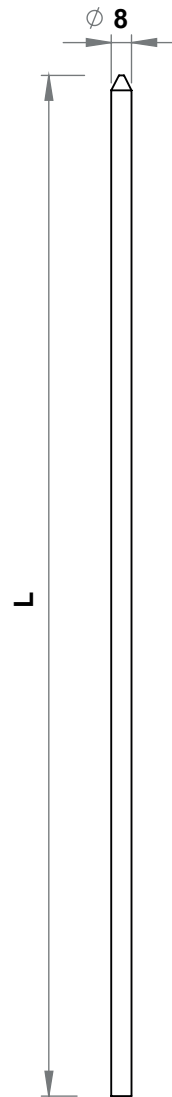
8410



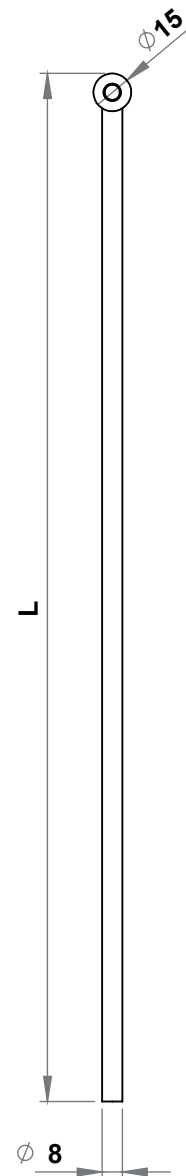
8420



8430



8460

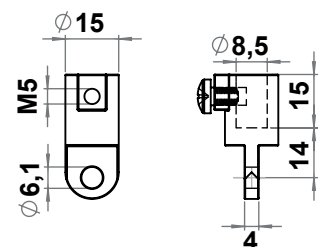
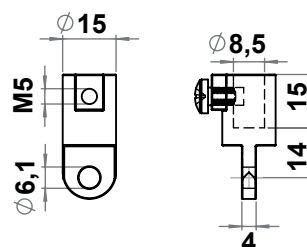


	Steel, Zinc plated	Stainless steel AISI 304
Item Number	8410-L	5410-L

	Steel, Zinc plated	Stainless steel AISI 304
Item Number	8420-L	5420-L

	Steel, Zinc plated	Stainless steel AISI 304
Item Number	8430-L	5430-L

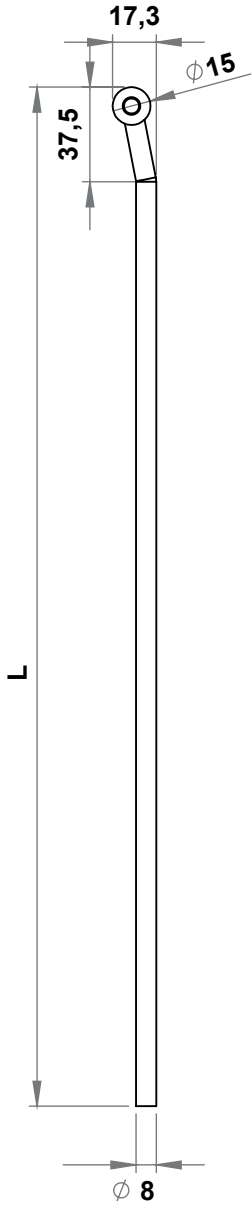
	Steel, Zinc plated	Stainless steel AISI 304
Item Number	8460-L	5460-L



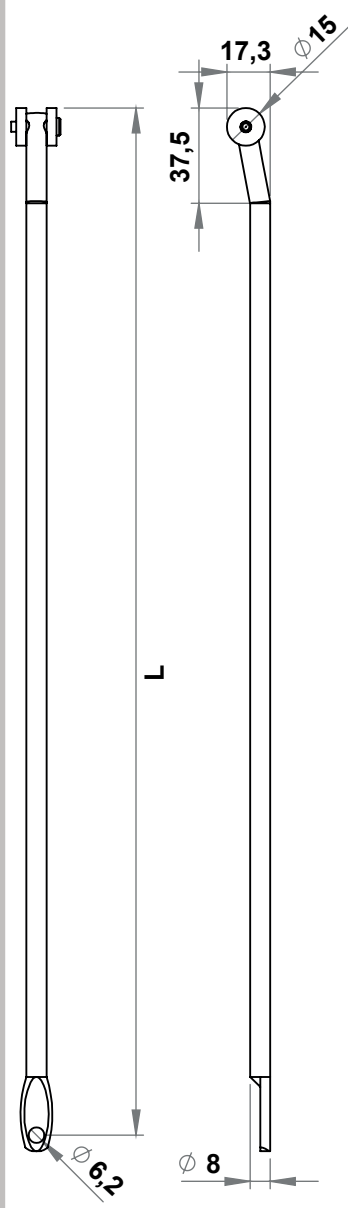
	Steel, Zinc plated	Stainless steel AISI 316
Adaptör	8515-001	8515-501

	Steel, Zinc plated	Stainless steel AISI 316
Adaptör	8515-001	8515-501

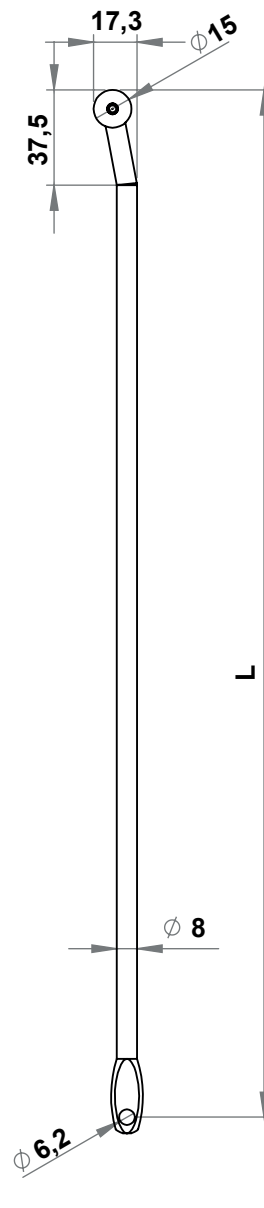
8450



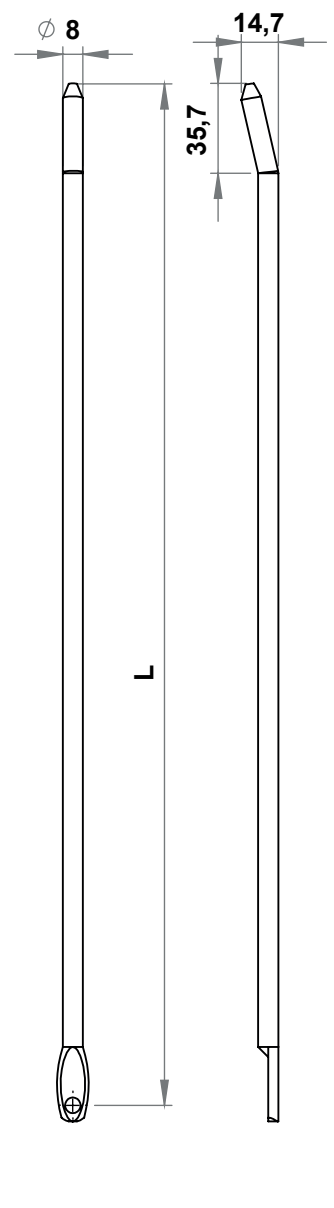
8470



8480



8490



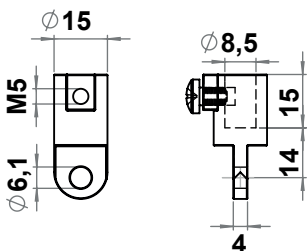
Cams, Rods
Accessories

	Steel, Zinc plated	Stainless steel AISI 304
Item Number	8450-L	5450-L

	Steel, Zinc plated	Stainless steel AISI 304
Item Number	8470-L	5470-L

	Steel, Zinc plated	Stainless steel AISI 304
Item Number	8480-L	5480-L

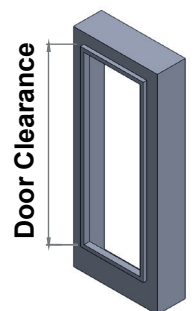
	Steel, Zinc plated	Stainless steel AISI 304
Item Number	8490-L	5490-L



If the door center is same with swinghandle center, the L dimension is calculated as follows:

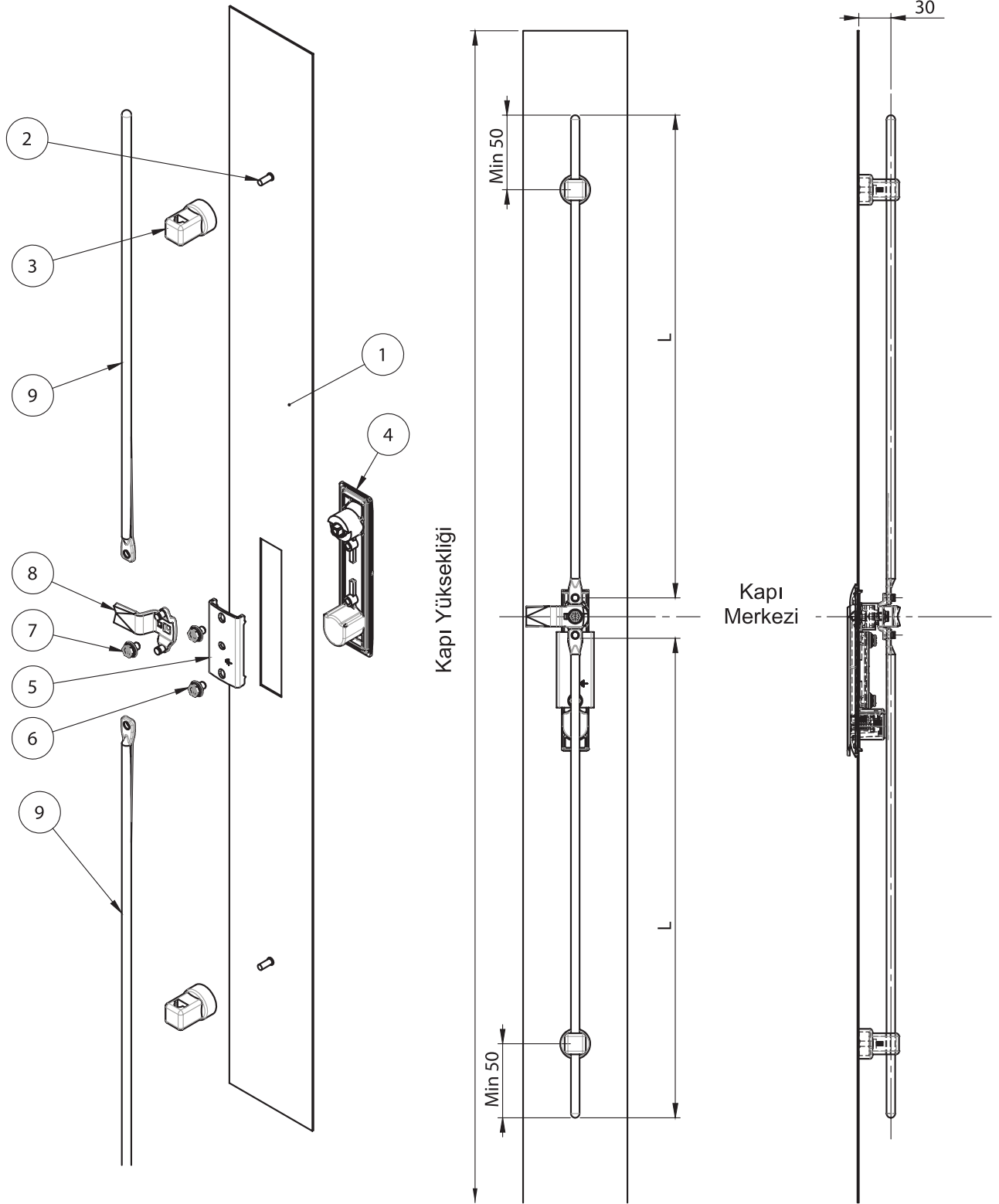
If Adapter Used : $\frac{\text{Door Clearance} - 40\text{mm}}{2}$

If Rods with Eye Used : $\frac{\text{Door Clearance} - 12\text{mm}}{2}$



	Steel, Zinc plated	Stainless steel AISI 316
Adaptör	8515-001	8515-501

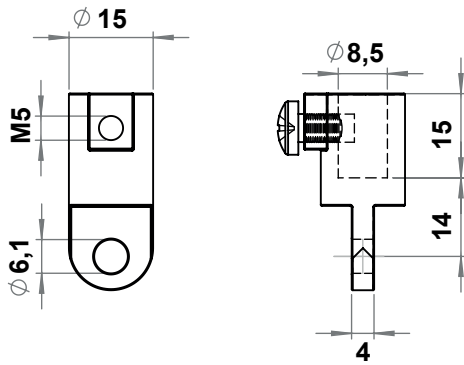
3 Point Locking Table



1- Door
2- Screw
3- Rod Guides

4- Swinghandle
5- Swinghandle Assembly Part
6- Screw

7- Screw
8- 3 Point Locking Cam
9- Round Rod



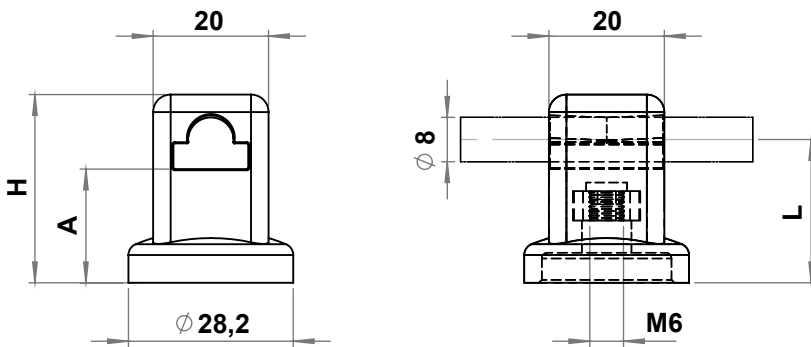
	Steel, Zinc plated	Stainless steel AISI 316
Item Number	8515-001	8515-501

8515 Round Rod Guide



Material: Zinc die, zinc plated /
Stainless steel AISI 316

8511 Round Rod Guide

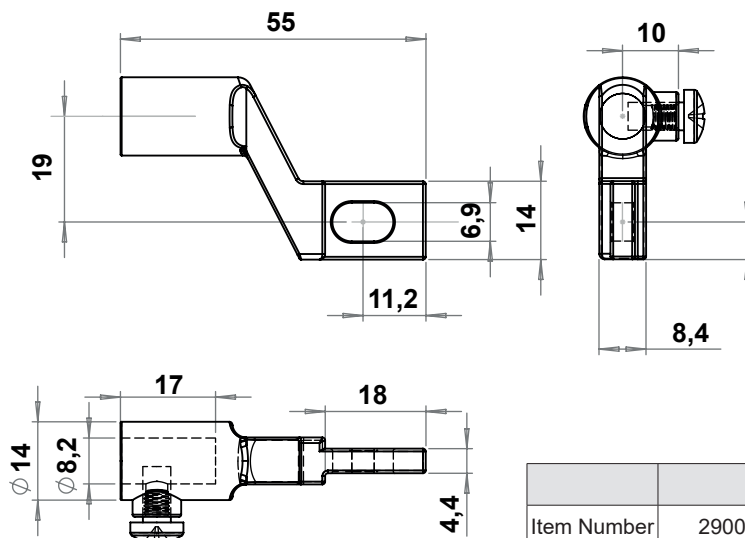


A (mm)	L (mm)	H (mm)	Item Number
20	24	32	8511-001
24	28	36	8511-003
26	30	38	8511-002



Material: Polyamide (PA), black

2900-410 Rod Adapter for Rod Latch

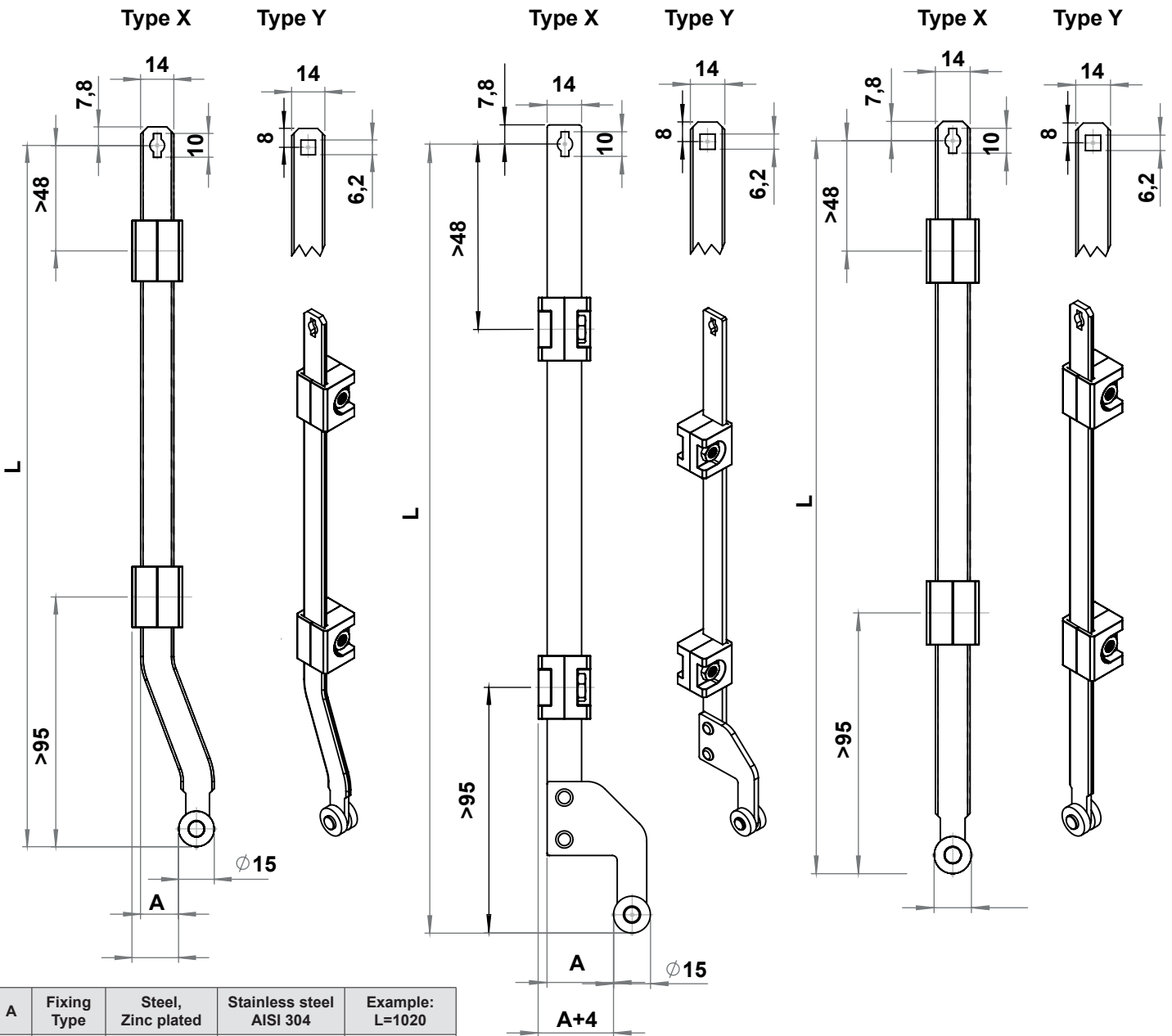


Item Number	2900-410
-------------	----------



Material: Zinc die, zinc plated

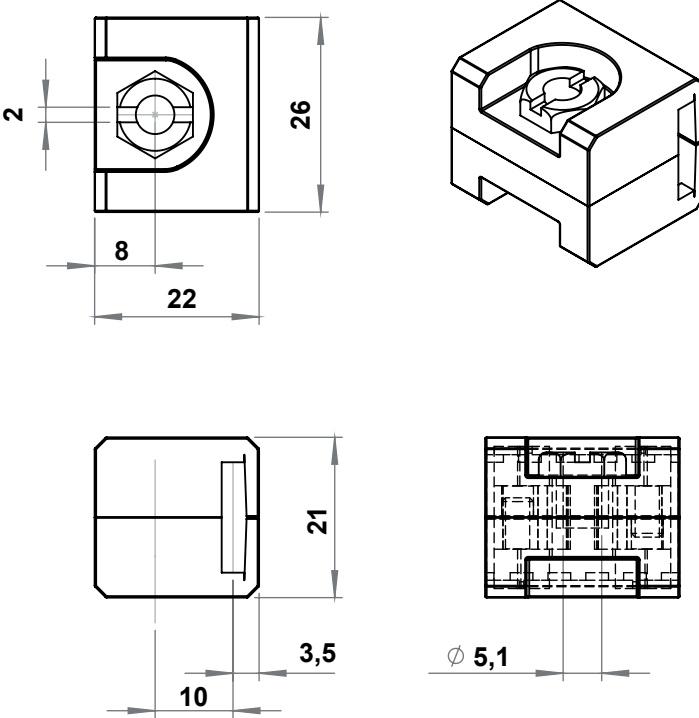
Cams, Rods
Accessories



A	Fixing Type	Steel, Zinc plated	Stainless steel AISI 304	Example: L=1020
16	X	8301-L	8351-L	8301-1020
21	X	8302-L	8352-L	8302-1020
16	Y	8301-L-K	8351-L-K	8301-1020-K
21	Y	8302-L-K	8352-L-K	8302-1020-K

A	Fixing Type	Steel, Zinc plated	Stainless steel AISI 304	Example: L=1020
13	X	8306-13-L	8356-13-L	8306-13-1020
27	X	8306-27-L	8356-27-L	8306-27-1020
42	X	8306-42-L	8356-42-L	8306-42-1020
13	Y	8306-13-L-K	8356-13-L-K	8306-13-1020-K
27	Y	8306-27-L-K	8356-27-L-K	8306-27-1020-K
42	Y	8306-42-L-K	8356-42-L-K	8306-42-1020-K

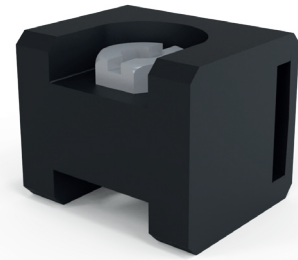
Fixing Type	Steel, Zinc plated	Stainless steel AISI 304	Example: L=1020
X	8307-L	8357-L	8307-1020
Y	8307-L-K	8357-L-K	8307-1020-K



8501 - Rod Guide

Item Number	8501- 001
-------------	-----------

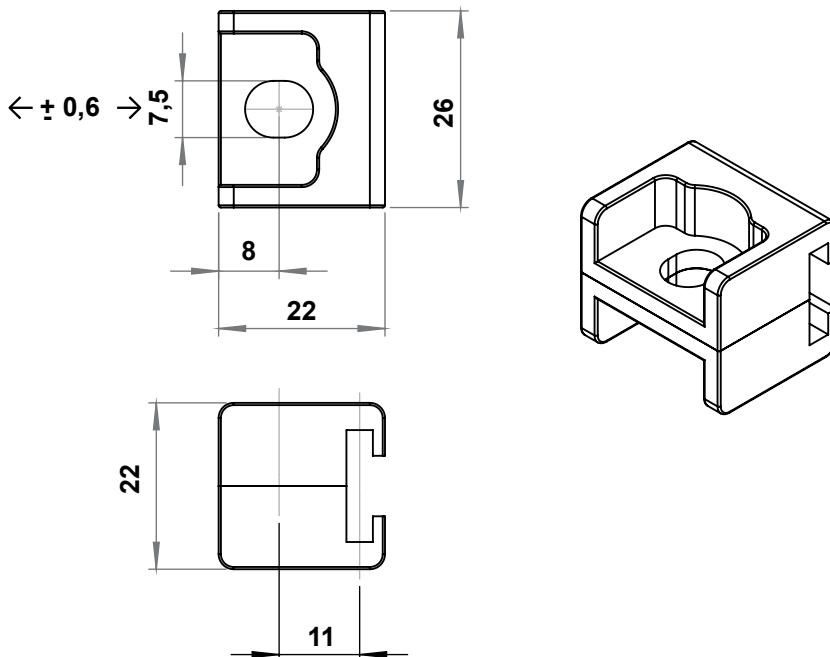
**8501 - 001
Rod Guide**



Material

Housing : Polyamide (PA), black
Special Nut : Steel, zinc plated

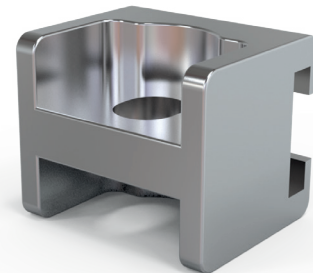
Cams, Rods
Accessories



8501-500 - Stainless Steel Rod Guide

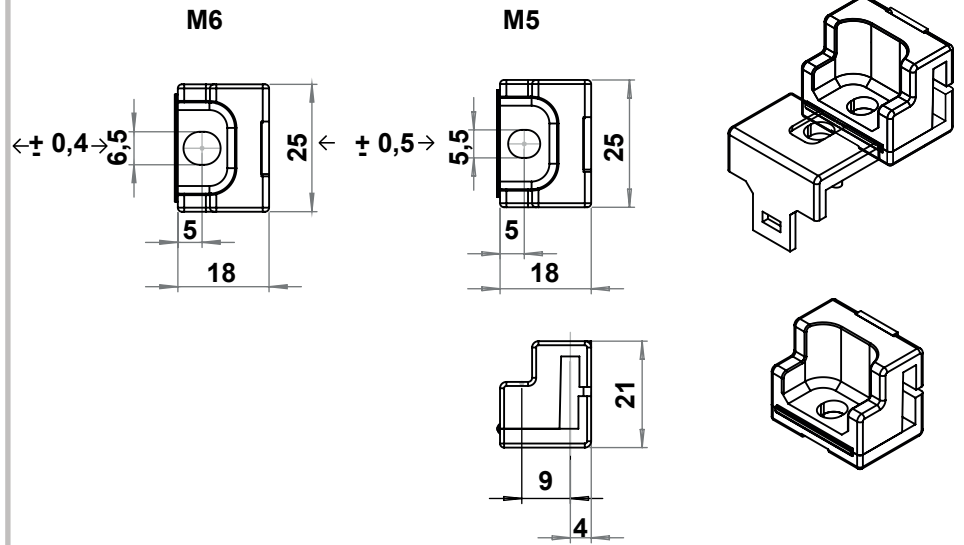
Item Number	8501- 500
-------------	-----------

**8501 - 500
Stainless steel L Rod Guide**



Material: Stainless steel AISI 316

8502
Bended Rod Guide

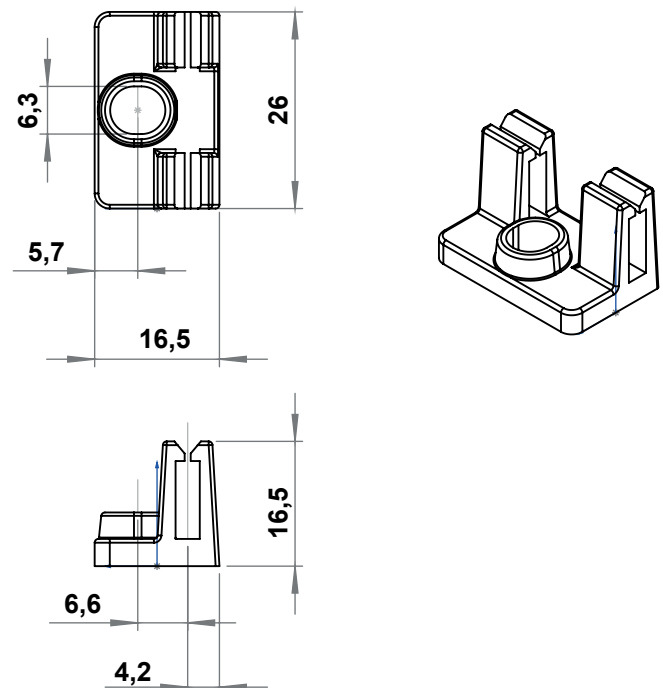


8502 - Bended Rod Guide

	Suitable for M6	Suitable for M5
Item Number	8502 - 001	8502 - 002

Material : Polyamide (PA), black

8506
Rod Guide for Narrow Width

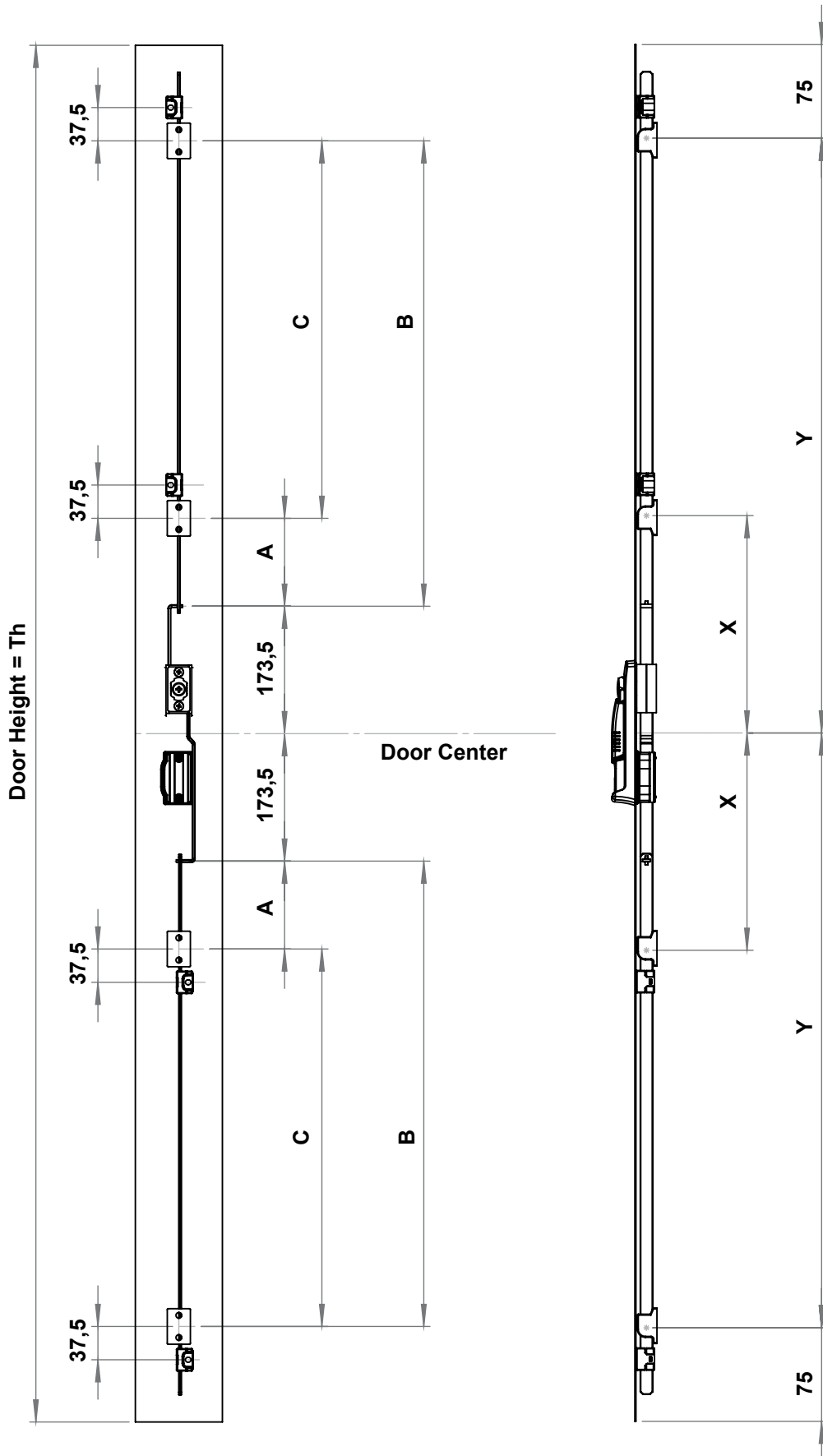


8506 - Rod Guide for Narrow Width

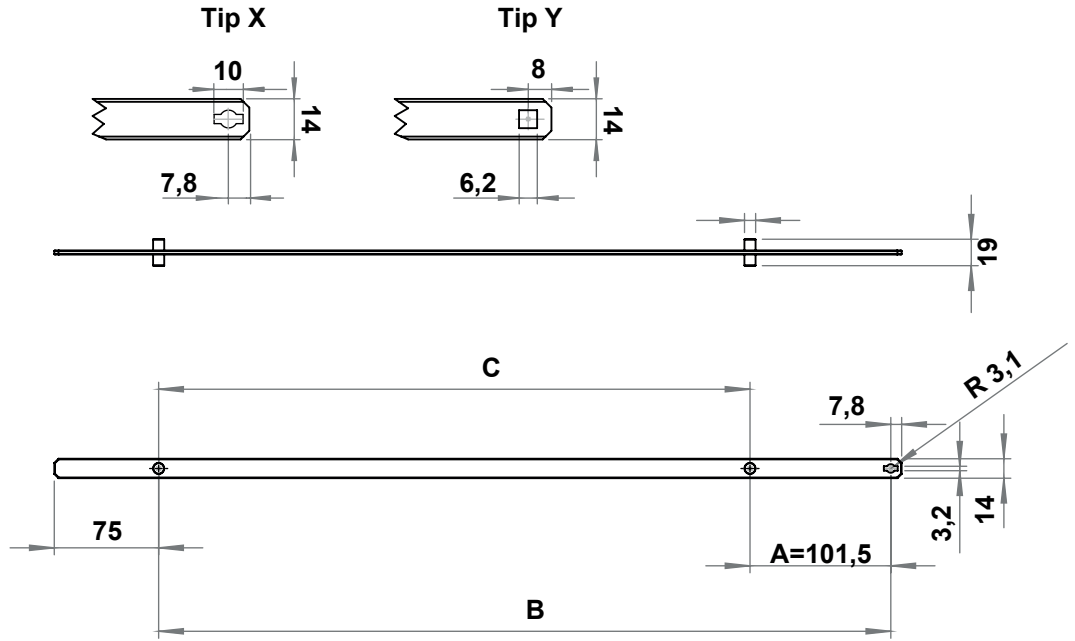
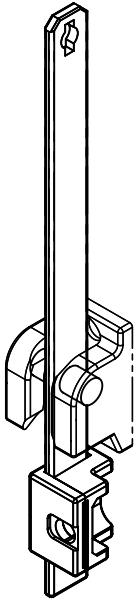
	Suitable for 3x10	Suitable for 3x14
Item Number	8506-001	8506-011

Material : Polyamide (PA6), Black

Cams, Rods
Accessories

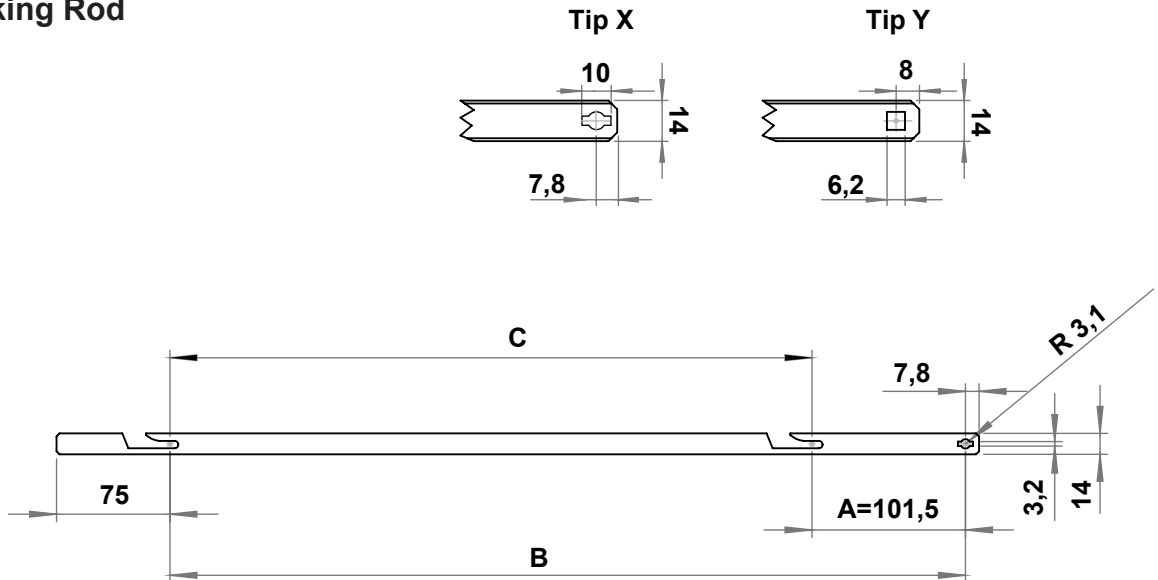
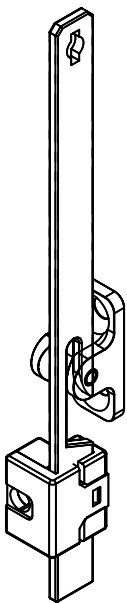


8401
4 Point Locking Rod



Door Height (Th)	X	Y	A	B	C	Fixing Type X		Fixing Type Y	
						Steel, Zinc plated	Stainless steel AISI 304	Steel, Zinc plated	Stainless steel AISI 304
800-1200	-	300	-	126,5	-	8401-300	8451-300	8401-300-K	8451-300-K
1200-1600	-	450	-	276,5	-	8401-450	8451-450	8401-450-K	8451-450-K
1600-1900	275	700	101,5	526,5	425	8401-700	8451-700	8401-700-K	8451-700-K
1900-2200	275	800	101,5	676,5	575	8401-850	8451-850	8401-850-K	8451-850-K

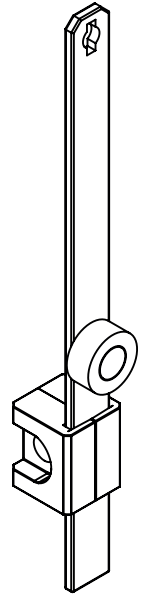
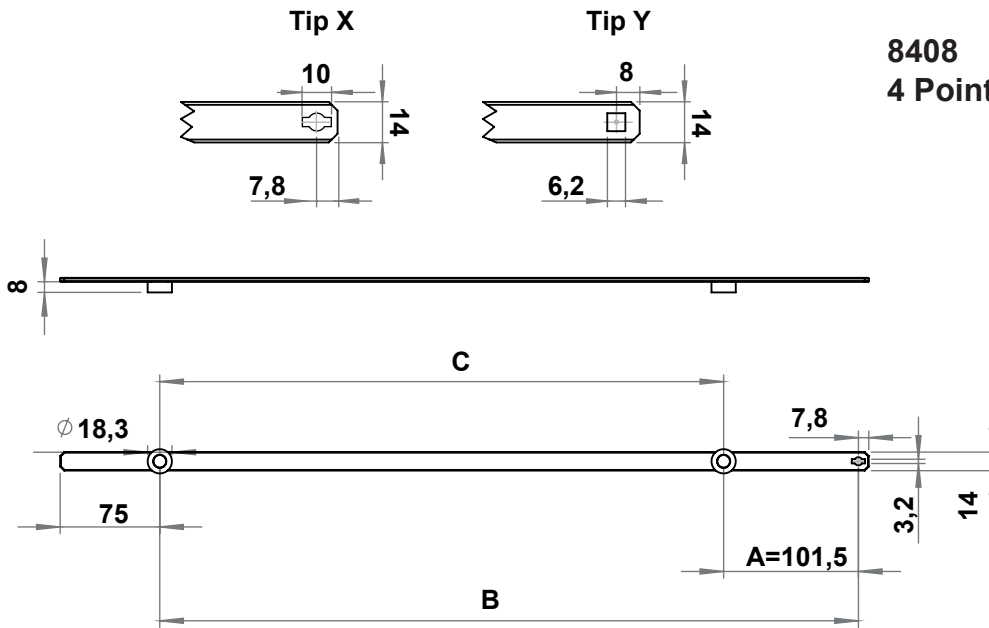
8402
4 Point Locking Rod



Door Height (Th)	X	Y	A	B	C	Fixing Type X		Fixing Type Y	
						Steel, Zinc plated	Stainless steel AISI 304	Steel, Zinc plated	Stainless steel AISI 304
800-1200	-	300	-	126,5	-	8402-300	8452-300	8402-300-K	8452-300-K
1200-1600	-	450	-	276,5	-	8402-450	8452-450	8402-450-K	8452-450-K
1600-1900	275	700	101,5	526,5	425	8402-700	8452-700	8402-700-K	8452-700-K
1900-2200	275	800	101,5	676,5	575	8402-850	8452-850	8402-850-K	8452-850-K

Cams, Rods
Accessories

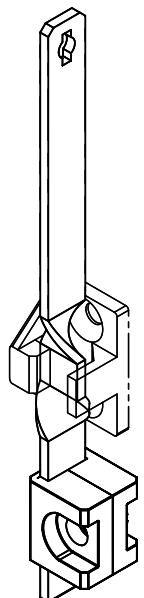
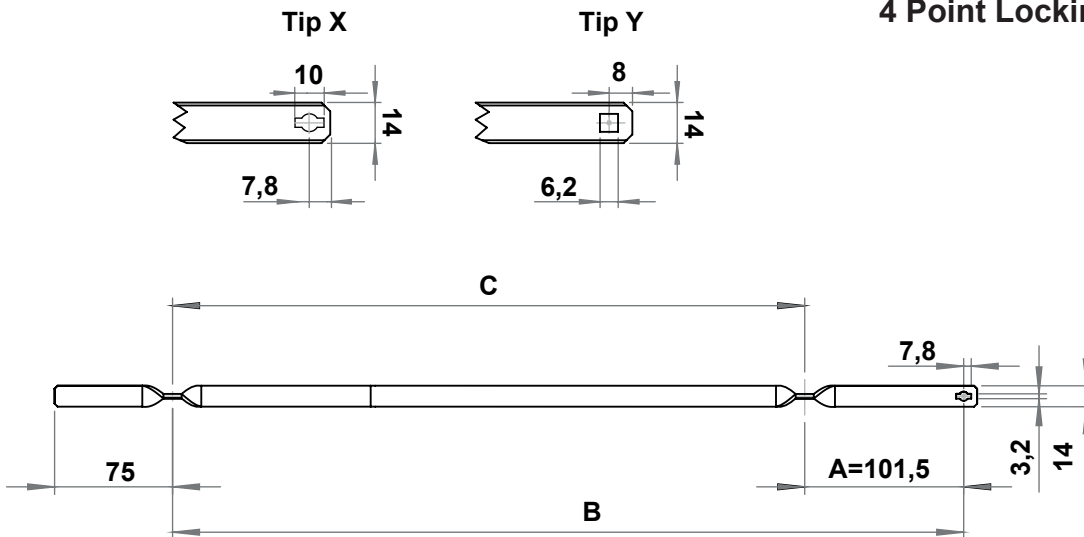
8408 4 Point Locking Rod



Door Height (Th)						Fixing Type X		Fixing Type Y	
	X	Y	A	B	C	Steel, Zinc plated	Stainless steel AISI 304	Steel, Zinc plated	Stainless steel AISI 304
800-1200	-	300	-	126,5	-	8408-300	8458-300	8408-300-K	8458-300-K
1200-1600	-	450	-	276,5	-	8408-450	8458-450	8408-450-K	8458-450-K
1600-1900	275	700	101,5	526,5	425	8408-700	8458-700	8408-700-K	8458-700-K
1900-2200	275	800	101,5	676,5	575	8408-850	8458-850	8408-850-K	8458-850-K

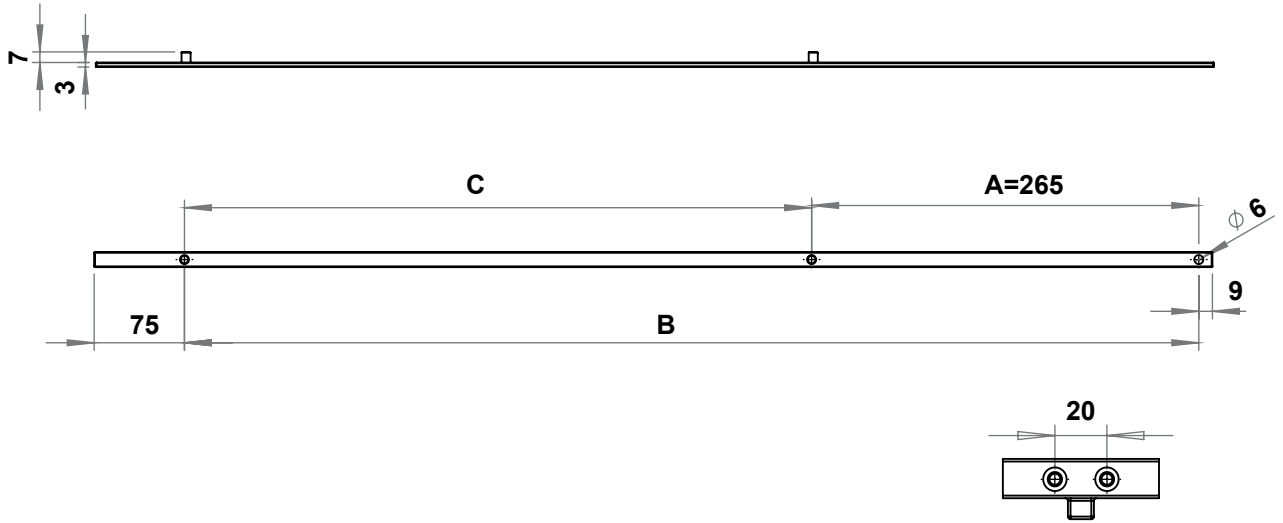
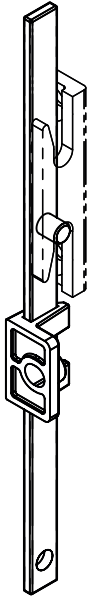
Cams, Rods
Accessories

8409 4 Point Locking Rod



Door Height (Th)						Fixing Type X		Fixing Type Y	
	X	Y	A	B	C	Steel, Zinc plated	Stainless steel AISI 304	Steel, Zinc plated	Stainless steel AISI 304
800-1200	-	300	-	126,5	-	8409-300	8459-300	8409-300-K	8459-300-K
1200-1600	-	450	-	276,5	-	8409-450	8459-450	8409-450-K	8459-450-K
1600-1900	275	700	101,5	526,5	425	8409-700	8459-700	8409-700-K	8459-700-K
1900-2200	275	800	101,5	676,5	575	8409-850	8459-850	8409-850-K	8459-850-K

8417 - 101
4 Point Locking Rod

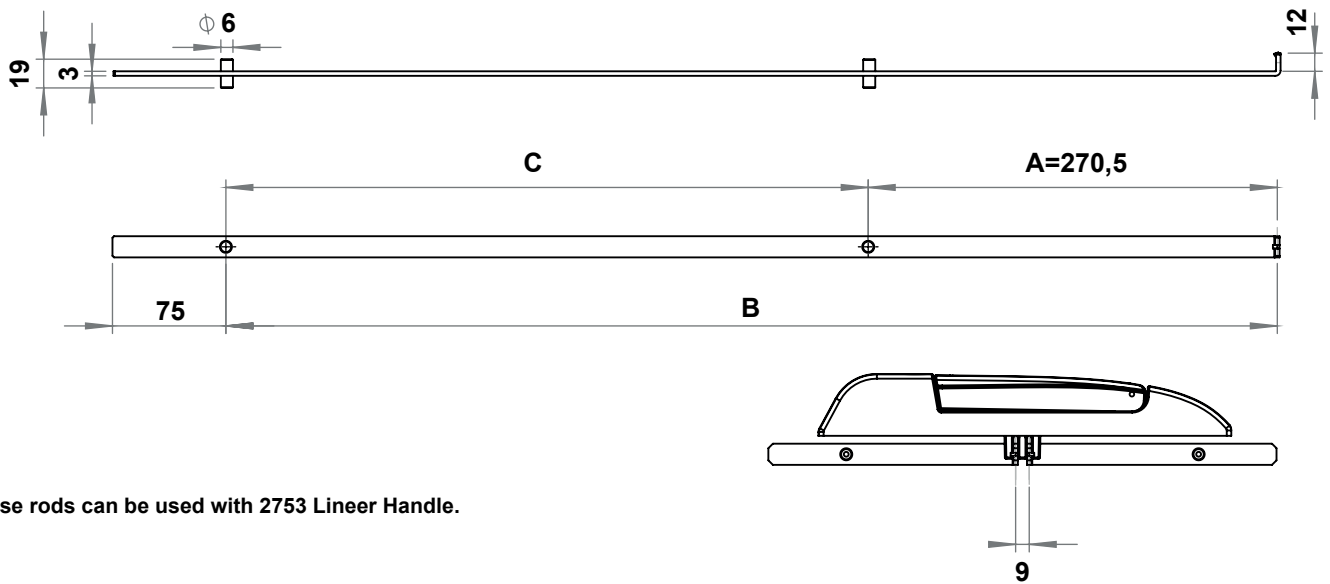


8417 - 4 Point Locking Rod

3x10 Rod adapter is included in the Liner Handle code

Door Height (Th)	X	Y	A	B	C	Steel, Zinc plated	Stainless steel AISI 304
800-1200	-	300	-	116,5	-	8417-300	8457-300
1200-1600	-	450	-	266,5	-	8417-450	8457-450
1600-1900	275	700	265	516,5	425	8417-700	8457-700
1900-2200	275	800	265	666,5	575	8417-850	8457-850

8404
4 Point Locking Rod

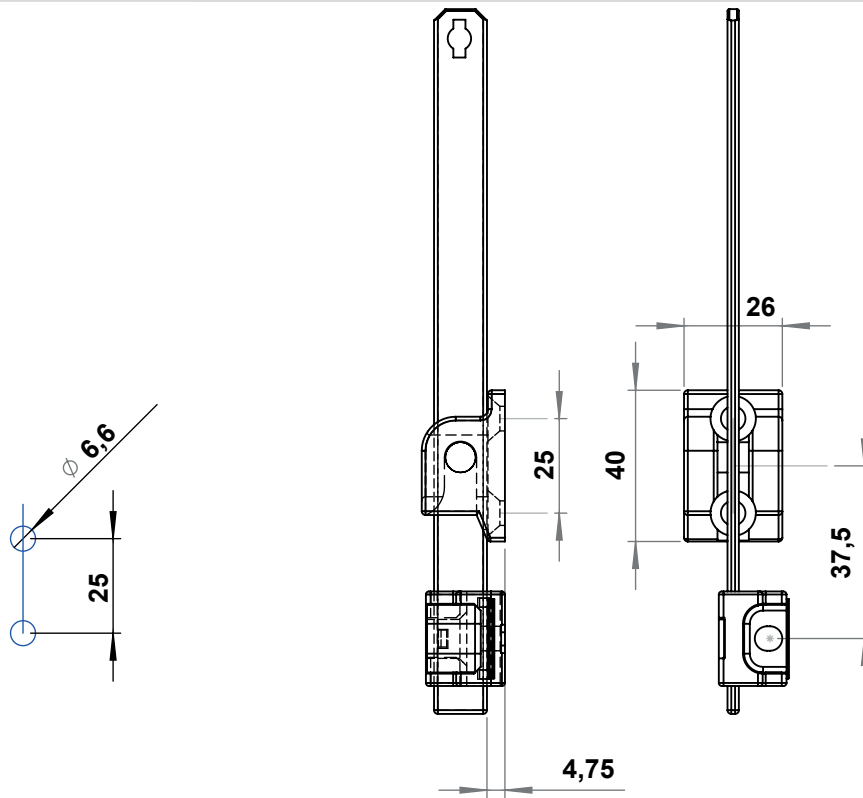


These rods can be used with 2753 Liner Handle.

8417 - 4 Point Locking Rod

Door Height (Th)	X	Y	A	B	C	Steel, Zinc plated	Stainless steel AISI 304
800-1200	-	300	-	122	-	8404-300	8454-300
1200-1600	-	450	-	272	-	8404-450	8454-450
1600-1900	275	700	270,5	522	425	8404-700	8454-700
1900-2200	275	800	270,5	672	575	8404-850	8454-850

Cams, Rods Accessories



	Zinc die, Ham	Plastic (PA), Black	Stainless steel AISI 316
Item Number	8510-001	8510-002	8510-500

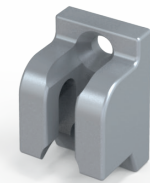
8510 Rod Catcher



8510-001

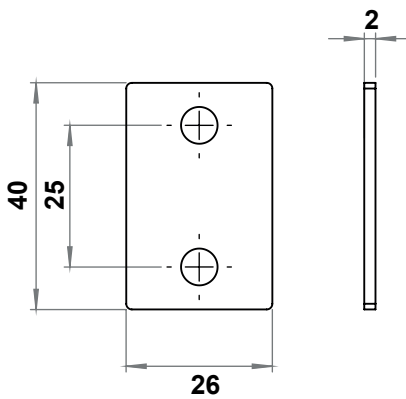


8510-002



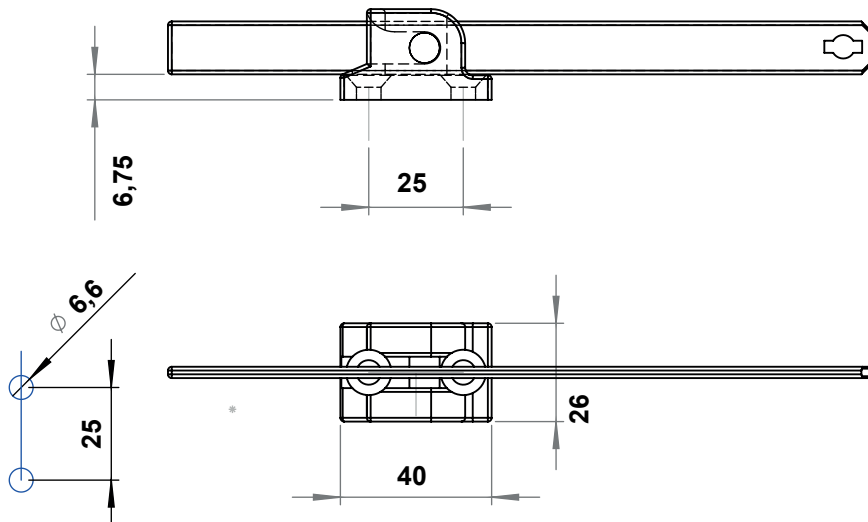
8510-500

Cams, Rods
Accessories

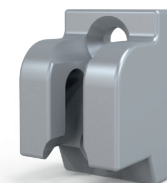
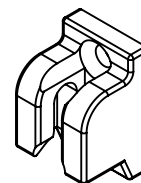


	Plastic (PA), Black
Item Number	8515 - 100

8515 - 100 Riser for Rod Catcher

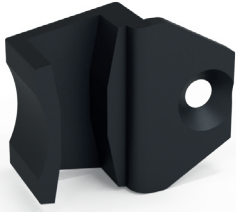


8510 - 101 Rod Catcher



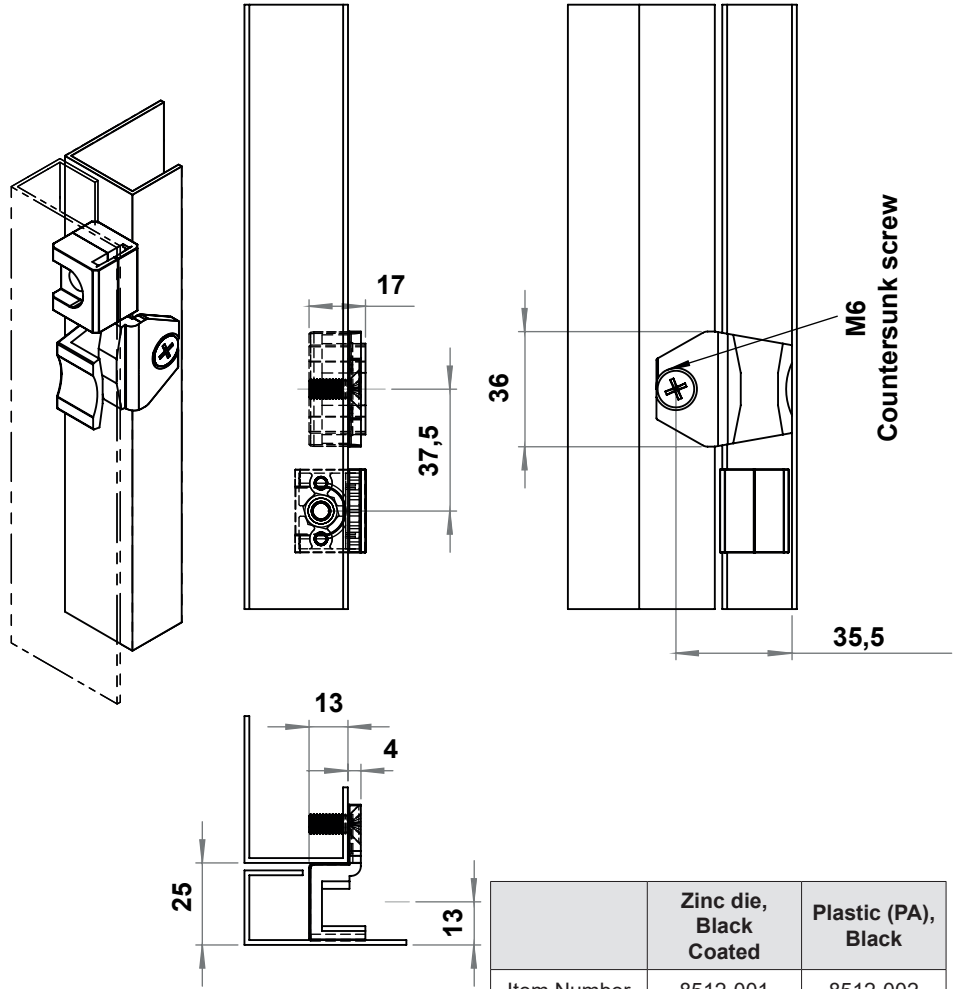
	Zinc die, Ham
Item Number	8510-101

8512
Rod Catcher for Narrow Width

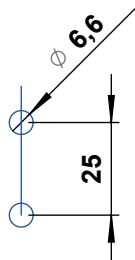
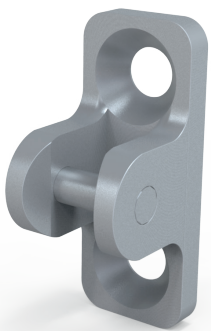


Cams, Rods
Accessories

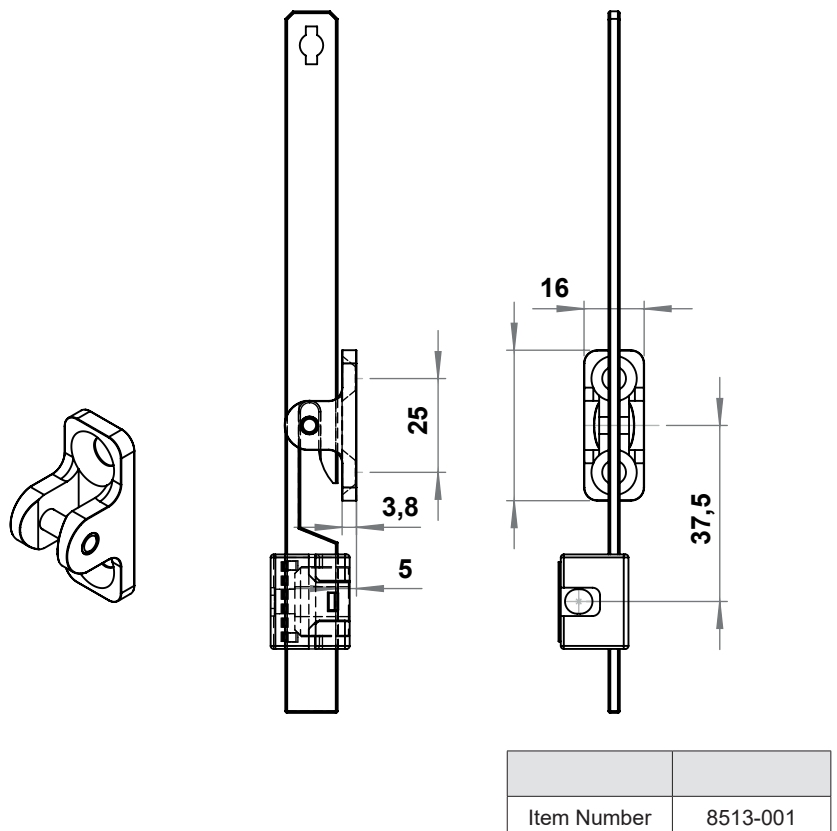
Material : Zinc die, black coated / PA, black

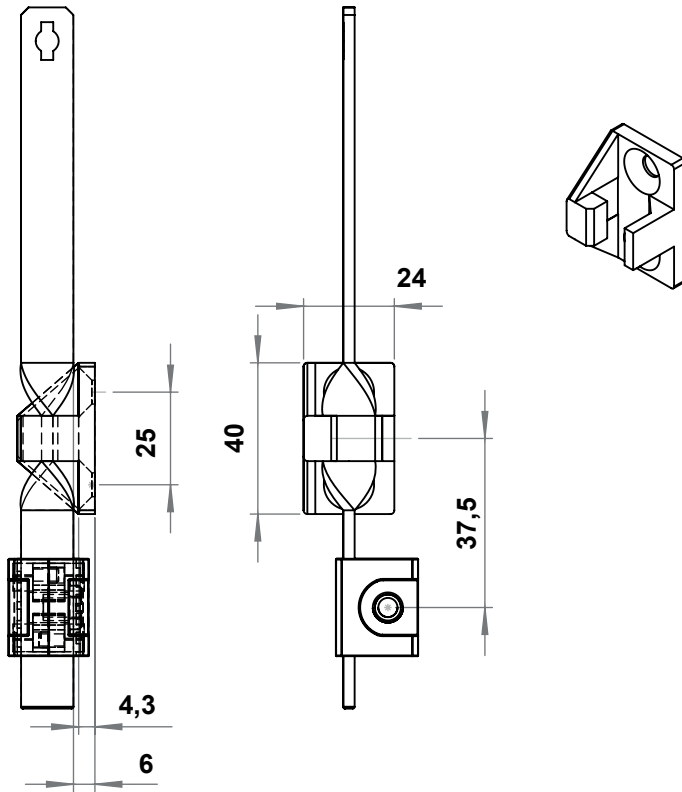


8513
Hook Type Rod Catcher



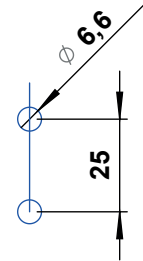
Material : Zinc die, zinc plated





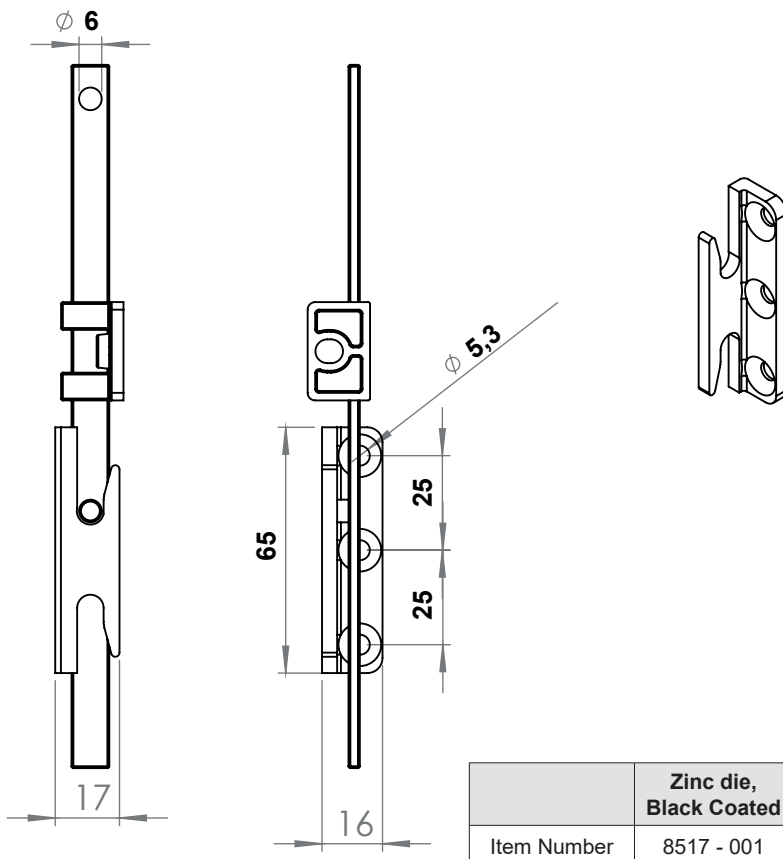
	Zinc die, Black Coated	Plastic (PA), Black
Item Number	8516-001	8516-002

8516 Rod Catcher for Twisted Rod



Material : Zinc die, black coted / PA, black

Cams, Rods
Accessories



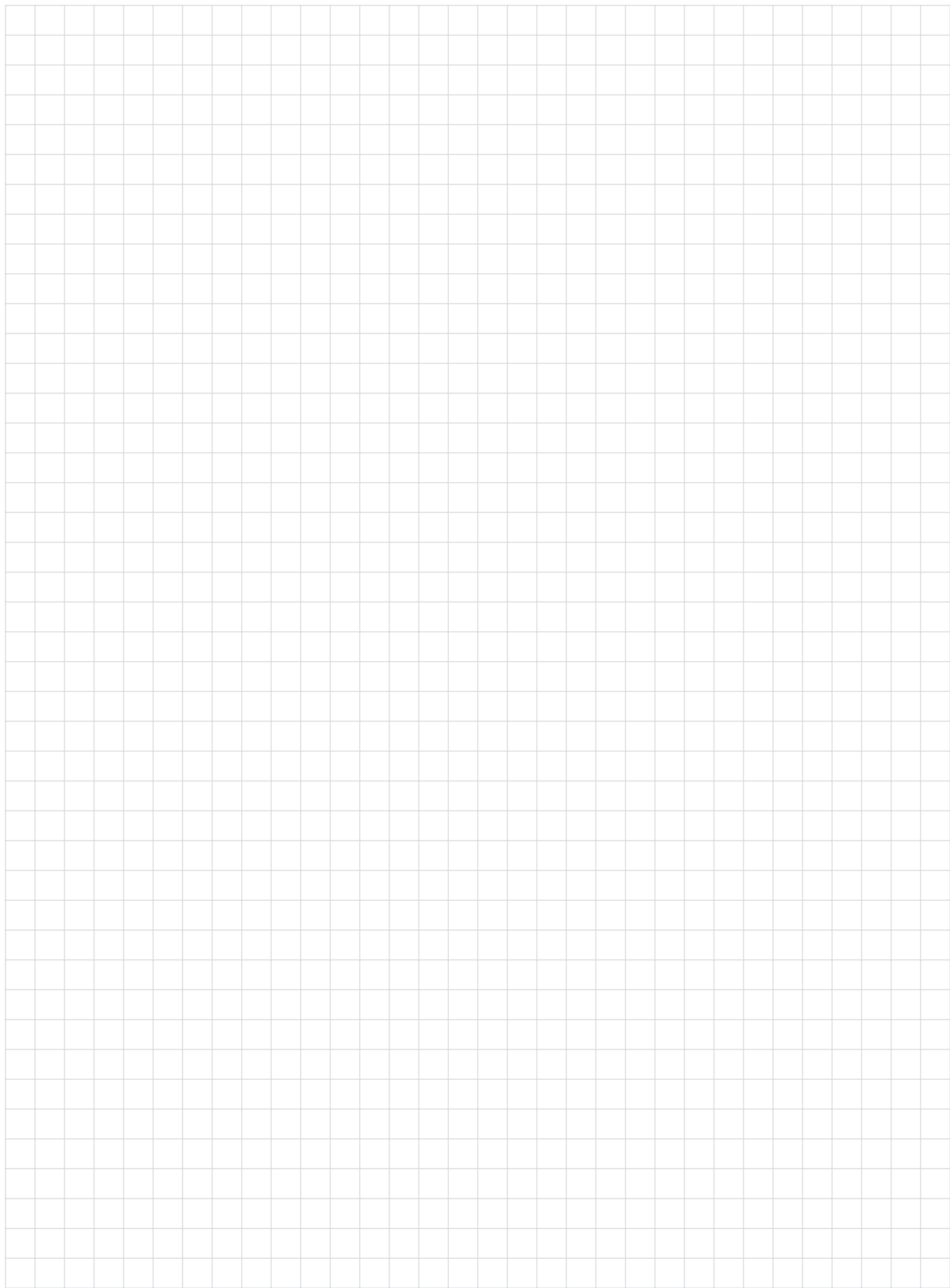
	Zinc die, Black Coated
Item Number	8517 - 001

8517 Rod Catcher for 3x10 Rods

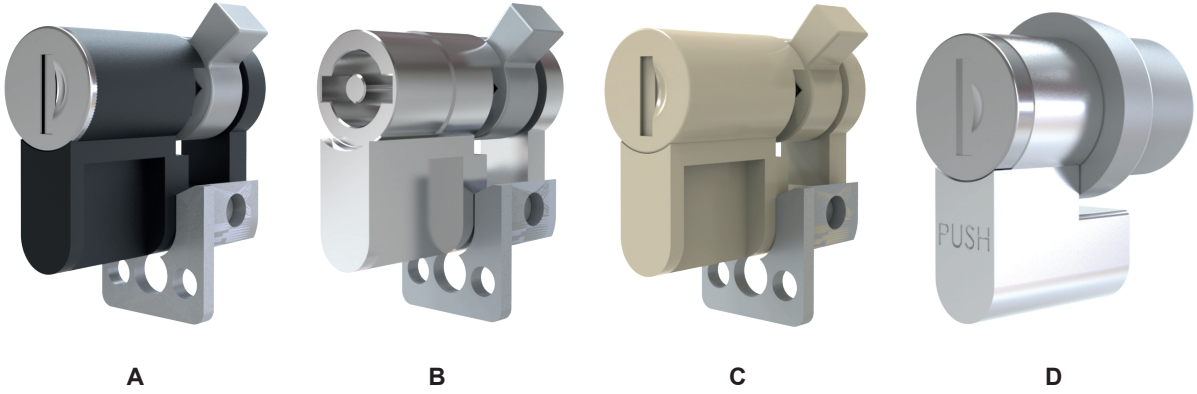


Material : Zinc die, black coated


Cams, Rods
Accessories



Linear Locking Systems



A - Profile Cylinder Type Locking Module
















	Key Type	Module Item Number
	Keyed 3333	2079-333
	Keyed Same	2079-337
	Keyed Differ	2079-339

C - Module for your Profile Cylinder acc to DIN 18252


Item Number	2079 - 200

* Profile cylinder is not included.

B - Locking Module for Inserts

	Insert Types	Module Item Number
	Double bit 3 mm	2079 - 401
	Double bit 5 mm	2079 - 402
	Triangular 7 mm	2079 - 407
	Triangular 8 mm	2079 - 403
	Triangular 9 mm	2079 - 409
	Triangular 10 mm	2079 - 413
	Triangular 10mm M5 Threaded	2079 - 416
	Square 6 mm	2079 - 415
	Square 7 mm	2079 - 404
	Square 8 mm	2079 - 405
	Square 10mm	2079 - 422
	Slotted	2079 - 408
	Eastern Europe	2079 - 410
	Socket Hexagon 5 mm	2079 - 414
	Socket Hexagon 8 mm	2079 - 406

D - Push Lock Module

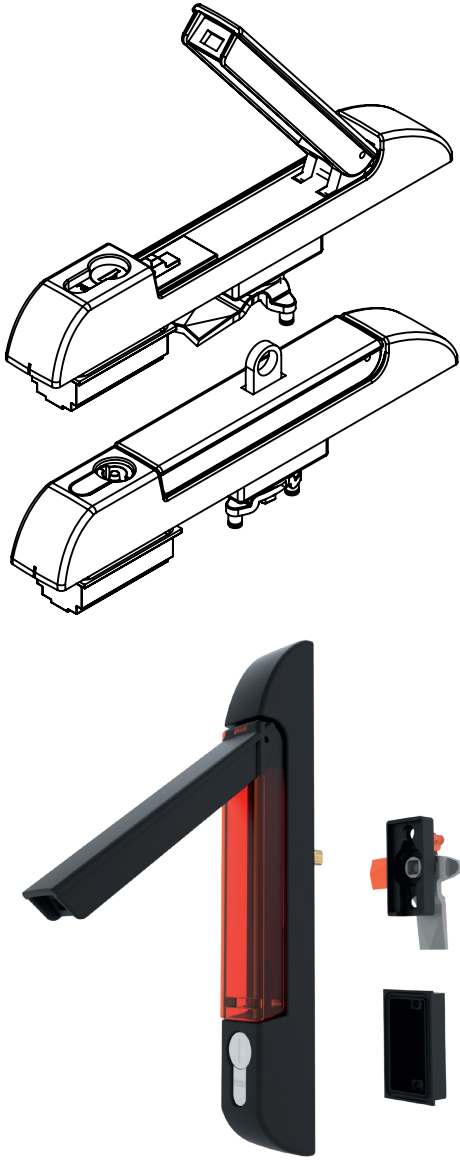
	Key Type	Module Item Number
	Keyed 3333	2079-733
	Keyed Same	2079-737
	Keyed Differ	2079-739

* The assembly of this modules should be made in ELKOMSAN.

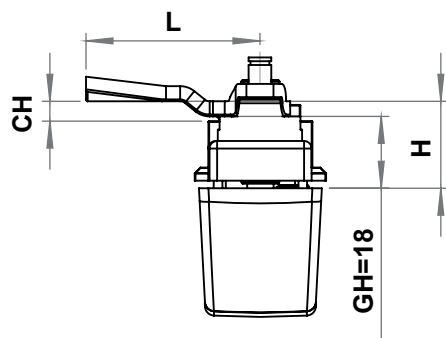
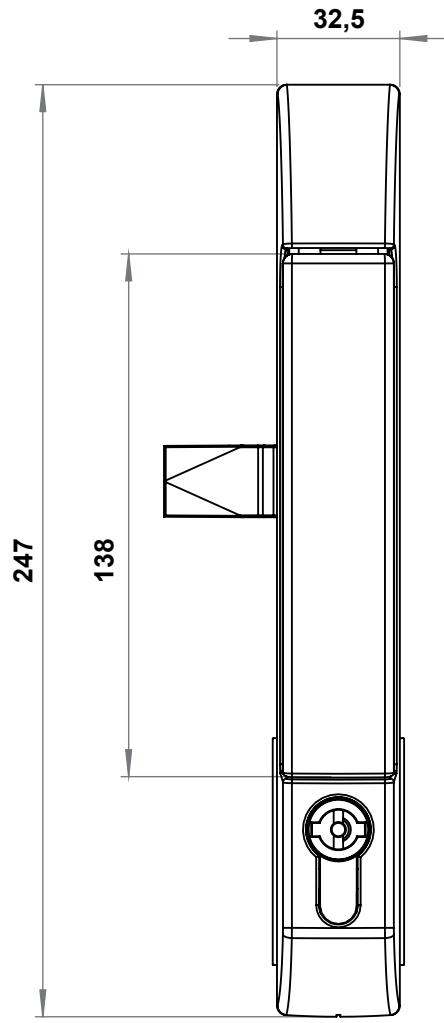
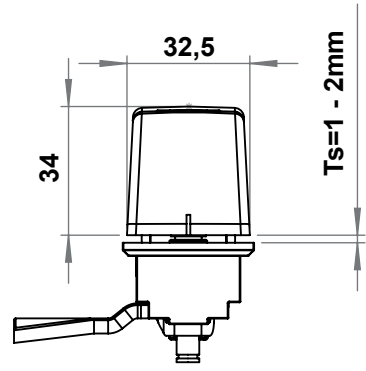
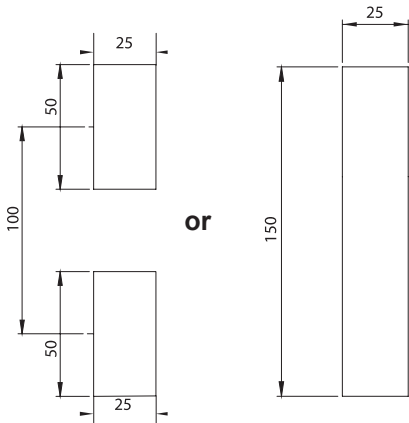


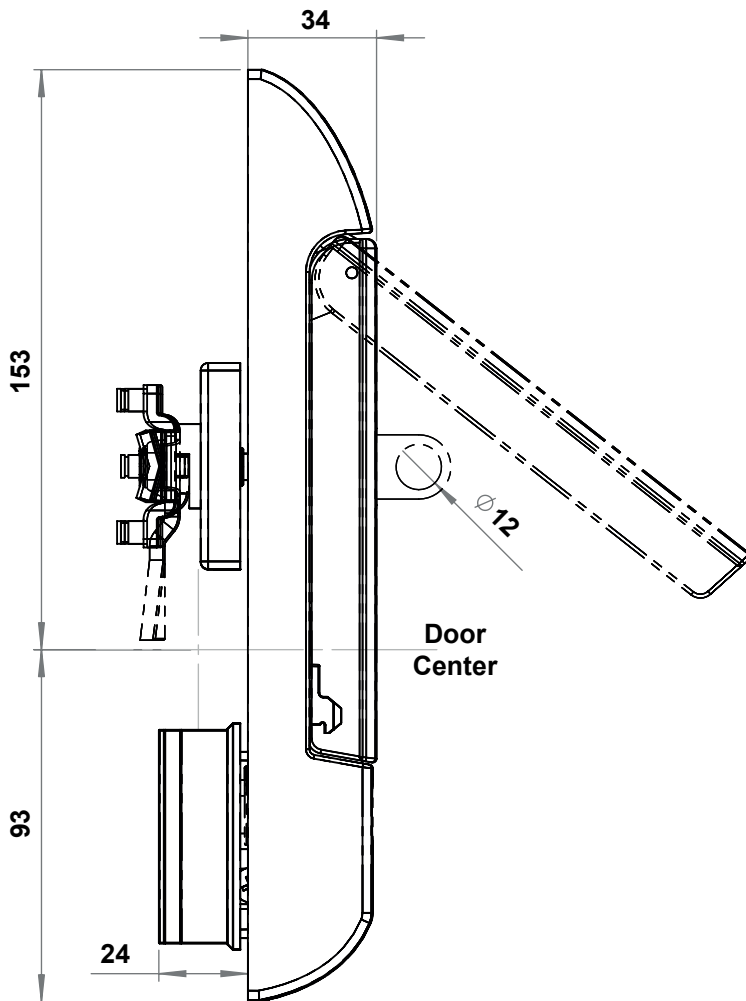
	2662	2652	2682	2752	2753
CUTOUT					
Locking System	Cam + Round Rods	Standard Rod Latch and Flat Rods	3x10 Rods or 3x14 Rods	3x10 Rods or 3x14 Rods	3x14 Rods
Locking Direction	90° Turning	16mm Rods Direction Up & Down	16mm Rods Direction Up & Down	16mm Rods Direction Up & Down	16mm Rods Direction Up & Down
Locking Type	1 or 3 Point Locking	1, 2,3 or 4 Point Locking	4 Point Locking	4 Point Locking	4 Point Locking
IP	IP65	IP65	-	-	-
Inside / Outside Gasket Application	Inside the Gasket	Inside / Outside Gasket Application	Outside the Gasket	Outside the Gasket	Outside the Gasket
Available Locking Modules	Insert Type Profile Cylinders	Insert Type Profile Cylinders	-	Insert Type Profile Cylinders	Insert Type Profile Cylinders
	Profile Cylinders	Profile Cylinders	-	Profile Cylinders	Profile Cylinders
	Customer Profile Cylinder acc to DIN18252	Customer Profile Cylinder acc to DIN18252	-	Customer Profile Cylinder acc to DIN18252	Customer Profile Cylinder acc to DIN18252
	Push-Lock	Push-Lock	Push-Lock	Push-Lock	Push-Lock

Linear Locking Systems



CUTOUT





2662 - Insert Type

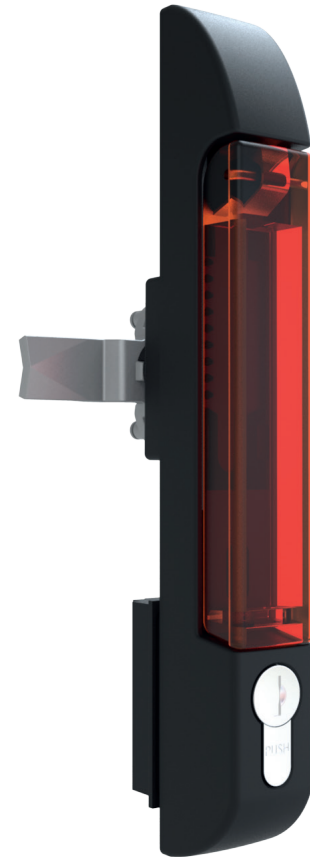
		Plain	Padlock Applicable
	Double bit 3 mm	2662-031-XXX	2662-331-XXX
	Double bit 5 mm	2662-032-XXX	2662-332-XXX
	Triangular 7 mm	2662-037-XXX	2662-337-XXX
	Triangular 8 mm	2662-033-XXX	2662-333-XXX
	Triangular 9 mm	2662-039-XXX	2662-339-XXX
	Square 7 mm	2662-034-XXX	2662-334-XXX
	Square 8 mm	2662-035-XXX	2662-335-XXX
	Slotted	2662-038-XXX	2662-338-XXX

2662 - With Profile Cylinder

		Plain	Padlock Applicable
	Keyed 3333	2662-013-XXX	2662-313-XXX
	Keyed Same	2662-017-XXX	2662-317-XXX
	Keyed Differ	2662-019-XXX	2662-319-XXX

2662 - Push Lock

		Plain	Padlock Applicable
	Keyed 3333	2662-713-XXX	2662-813-XXX
	Keyed Same	2662-717-XXX	2662-817-XXX
	Keyed Differ	2662-719-XXX	2662-819-XXX



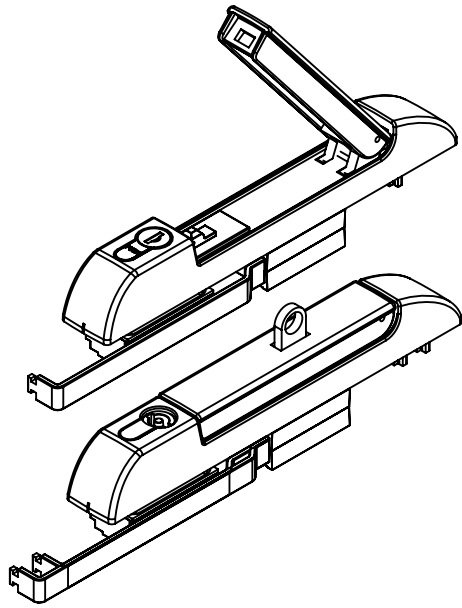
MATERIAL

Housing : Zinc die, black coated
Handle : Zinc die, black coated
Padlock Device : Stainless steel AISI 304

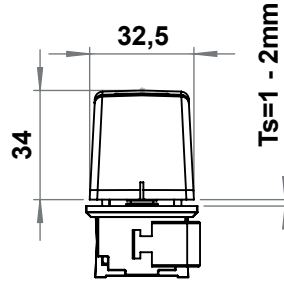
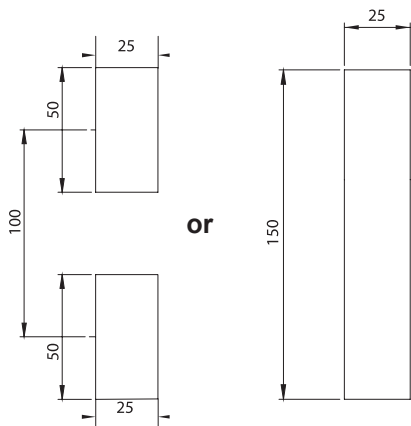
OPTIONS

Cam Adapters :
Cams :
Round Rods :
Rod Catchers :

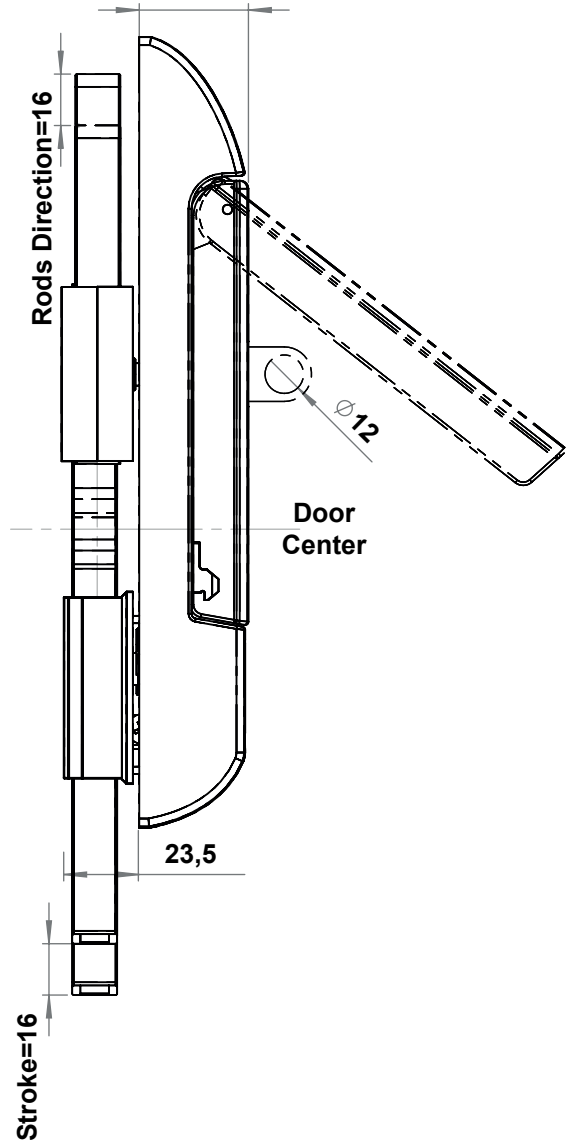
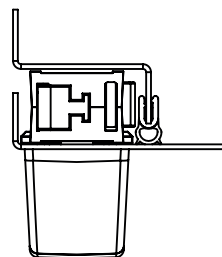
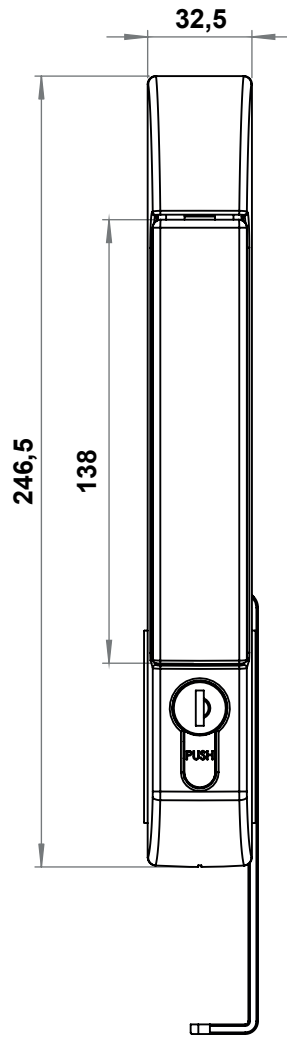




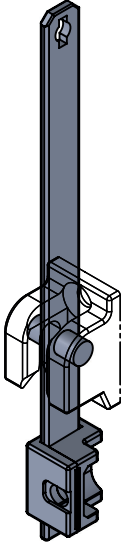
CUTOUT



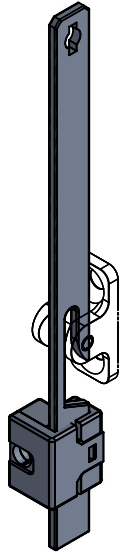
Please contact us for your other Ts requests



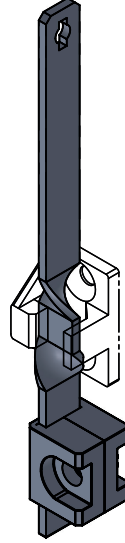
When the rod latch is moved by 90°, the stroke is 16mm for both sides



8401 Rod
8510 Rod Catcher



8402 Rod
8513 Rod Catcher



8409 Rod
8516 Rod Catcher

2652 - Insert Type

		Plain	Padlock Applicable
	Double bit 3 mm	2652 - 031 - MK - XXX	2652 - 331 - MK - XXX
	Double bit 5 mm	2652 - 032 - MK - XXX	2652 - 332 - MK - XXX
	Triangular 7 mm	2652 - 037 - MK - XXX	2652 - 337 - MK - XXX
	Triangular 8 mm	2652 - 033 - MK - XXX	2652 - 333 - MK - XXX
	Triangular 9 mm	2652 - 039 - MK - XXX	2652 - 339 - MK - XXX
	Square 7 mm	2652 - 034 - MK - XXX	2652 - 334 - MK - XXX
	Square 8 mm	2652 - 035 - MK - XXX	2652 - 335 - MK - XXX
	Slotted	2652 - 038 - MK - XXX	2652 - 338 - MK - XXX

2652 - With Profile Cylinder

		Plain	Padlock Applicable
	Keyed 3333	2652 - 013 - MK - XXX	2652 - 313 - MK - XXX
	Keyed Same	2652 - 017 - MK - XXX	2652 - 317 - MK - XXX
	Keyed Differ	2652 - 019 - MK - XXX	2652 - 319 - MK - XXX

2652 - Push Lock

		Plain	Padlock Applicable
	Keyed 3333	2652 - 713 - MK - XXX	2652 - 813 - MK - XXX
	Keyed Same	2652 - 717 - MK - XXX	2652 - 817 - MK - XXX
	Keyed Differ	2652 - 719 - MK - XXX	2652 - 819 - MK - XXX



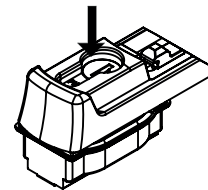
MATERIAL

Housing : Zinc die, black coated
Handle : Zinc die, black coated
Padlock Device : Stainless steel AISI 304

OPTIONS

Flat Rods :
Flat Rod Guides :
Rod Catchers :

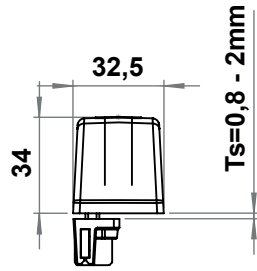
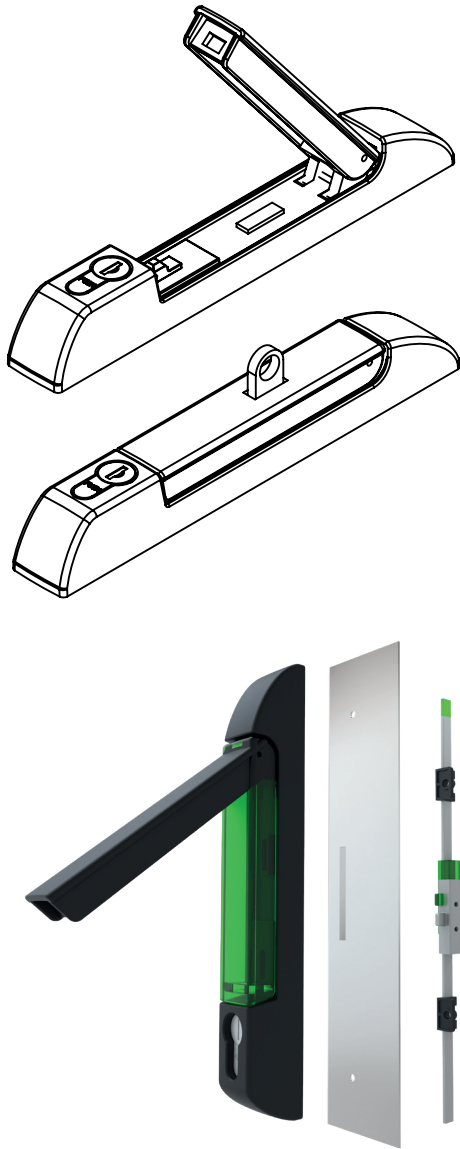
PUSH LOCK



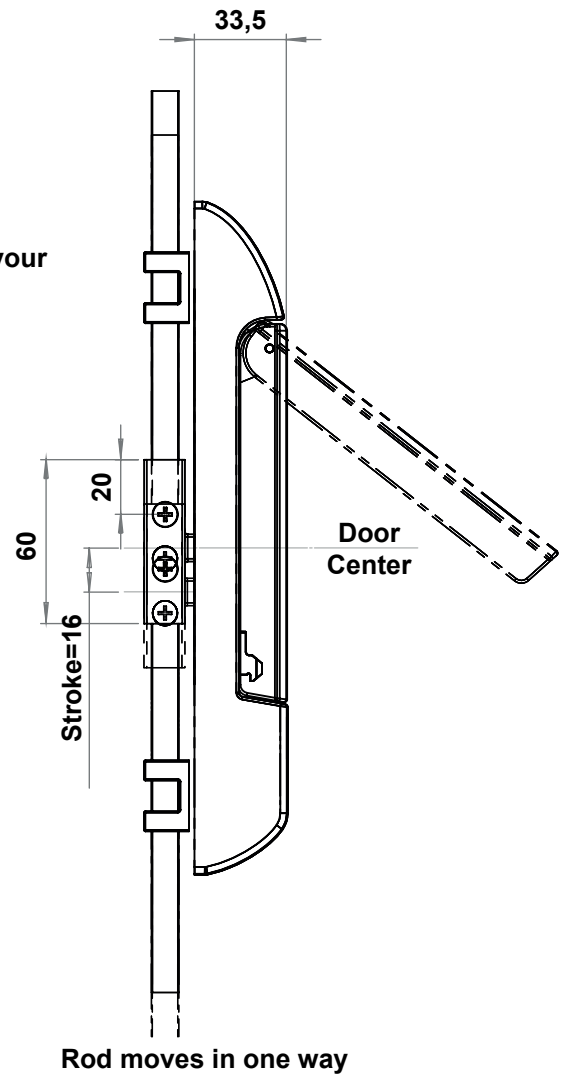
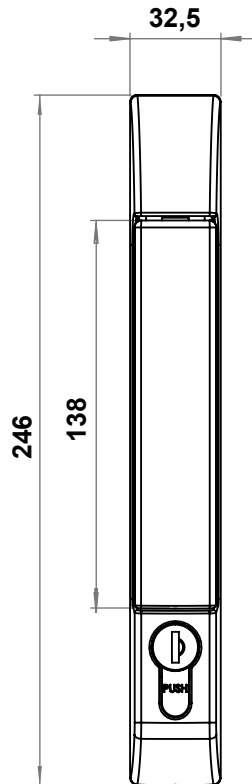
If the key is at "open" position, the handle is opened by pushing the cylinder

If the key is at "closed" position, the handle can not be opened.

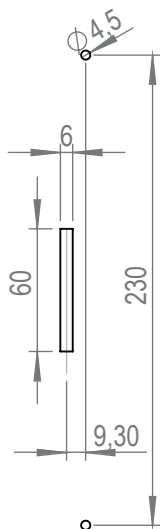




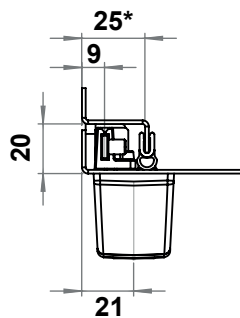
Please contact us for your other Ts requests



CUTOUT

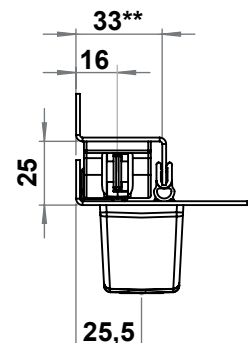


3x10 Rod Application

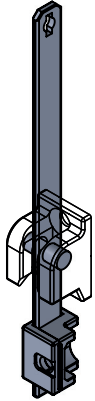


The dimension is determined together with the self gripping seal 6935-100. If the seal is not used, than the dimension will be 22mm

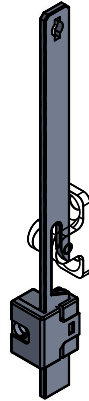
3x14 Rod Application



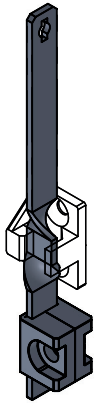
The dimension is determined together with the self gripping seal 6935-100. If the seal is not used, than the dimension will be 30mm



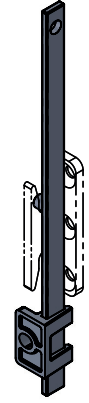
**8401 Rod
8510 Rod Catcher**



**8402 Rod
8513 Rod Catcher**



**8409 Rod
8516 Rod Catcher**



**8417 Rod
8517 Rod Catcher**



Linear Locking Systems

MATERIAL

- Housing** : Zinc die, black coated
- Handle** : Zinc die, black coated
- Padlock Device** : Stainless steel AISI 304

OPTIONS

- Flat Rods** :
- Flat Rod Guides** :
- Rod Catchers** :

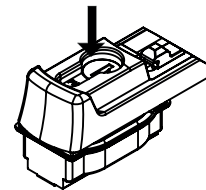
2682 - Plain

		3x14 According to Rod	3x10 According to Rod
	Keyed 3333	2682 - 713	2682 - 753
	Keyed Same	2682 - 717	2682 - 757
	Keyed Differ	2682 - 719	2682 - 759

2682 - Padlock Applicable

		3x14 According to Rod	3x10 According to Rod
	Keyed 3333	2682 - 813	2682 - 853
	Keyed Same	2682 - 817	2682 - 857
	Keyed Differ	2682 - 819	2682 - 859

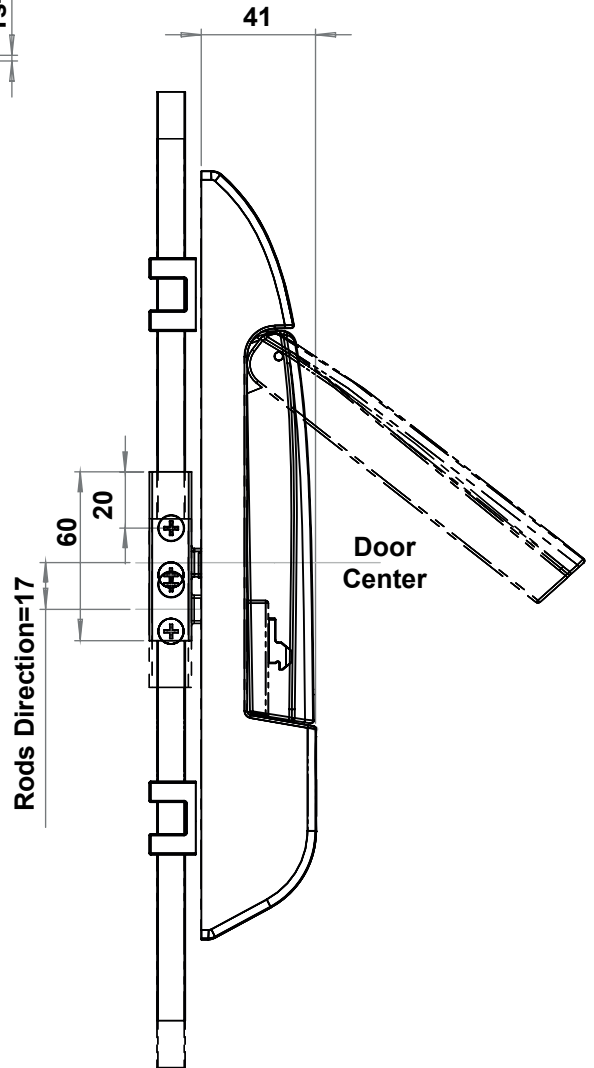
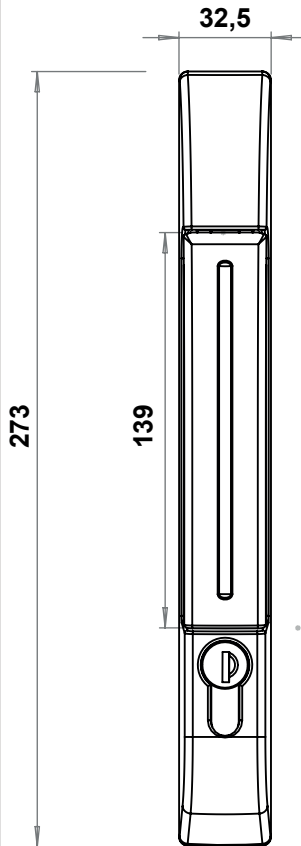
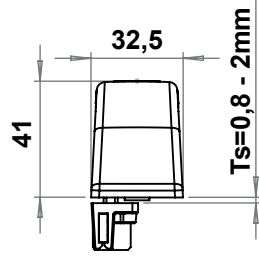
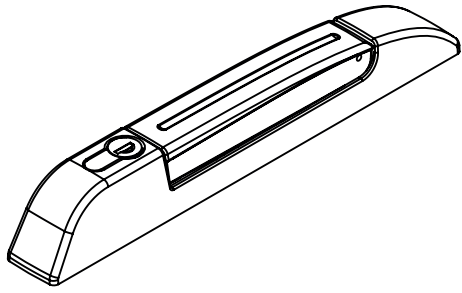
PUSH LOCK



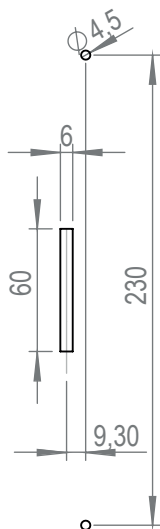
If the key is at "open" position, the handle is opened by pushing the cylinder

If the key is at "closed" position, the handle can not be opened.

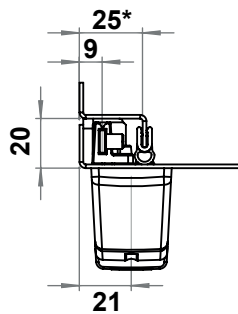




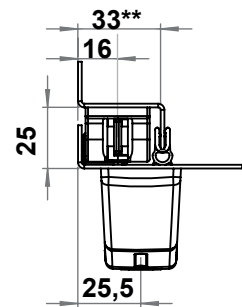
CUTOUT



3x10 Rod Application

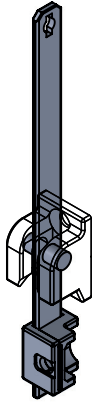


3x14 Rod Application

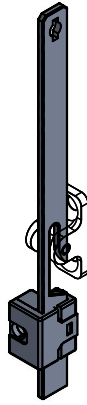


The dimension is determined together with the self gripping seal 6935-100. If the seal is not used, than the dimension will be 22mm

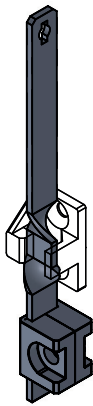
The dimension is determined together with the self gripping seal 6935-100. If the seal is not used, than the dimension will be 20mm



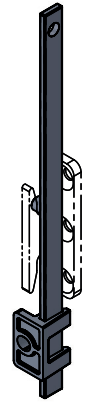
**8401 Rod
8510 Rod Catcher**



**8402 Rod
8513 Rod Catcher**



**8409 Rod
8516 Rod Catcher**



**8417 Rod 3x10mm
8517 Rod Catcher**

2752 - Insert Type

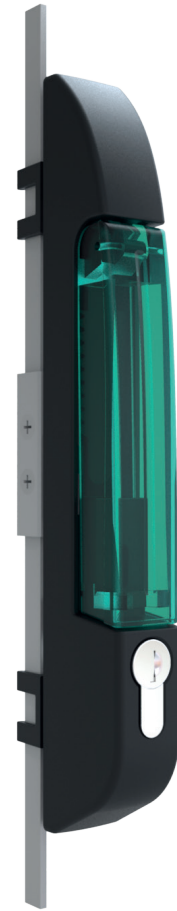
	Insert Types	3x14 According to Rod	3x10 According to Rod
	Double bit 3 mm	2752 - 031	2752 - 061
	Double bit 5 mm	2752 - 032	2752 - 062
	Triangular 7 mm	2752 - 037	2752 - 067
	Triangular 8 mm	2752 - 033	2752 - 063
	Triangular 9 mm	2752 - 039	2752 - 069
	Square 7 mm	2752 - 034	2752 - 064
	Square 8 mm	2752 - 035	2752 - 065
	Slotted	2752 - 038	2752 - 068

2752 - With Profile Cylinder

		3x14 According to Rod	3x10 According to Rod
	Keyed 3333	2752 - 013	2752 - 053
	Keyed Same	2752 - 017	2752 - 057
	Keyed Differ	2752 - 019	2752 - 059

2752 - Push Lock

		3x14 According to Rod	3x10 According to Rod
	Keyed 3333	2752 - 713	2752 - 753
	Keyed Same	2752 - 717	2752 - 757
	Keyed Differ	2752 - 719	2752 - 759



Linear Locking Systems

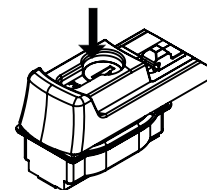
MATERIAL

Housing : Polyamide (PA6 GFR30), black
Handle : Zinc die, black coated
Padlock Device : Stainless steel AISI 304

OPTIONS

Flat Rods :
Flat Rod Guides :
Rod Catchers :

PUSH LOCK

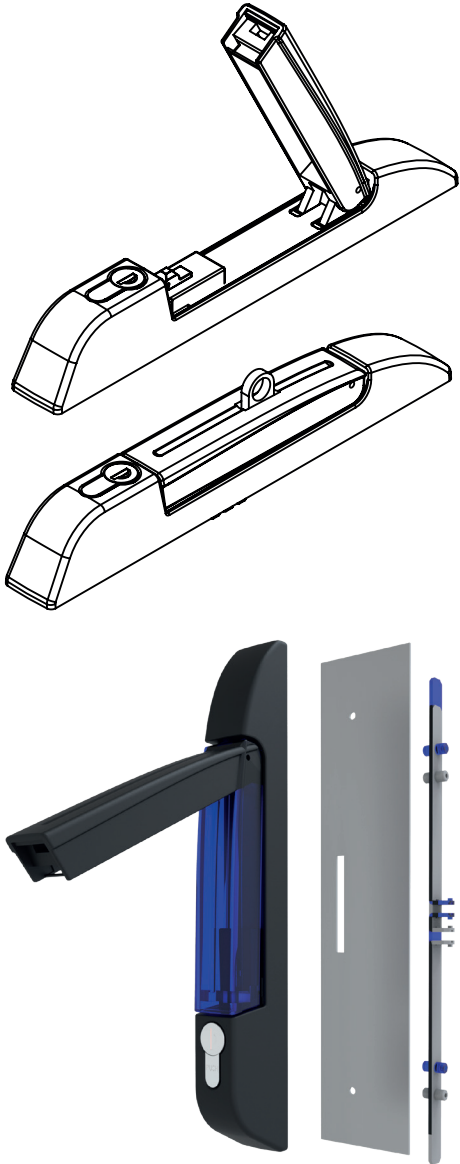


If the key is at "open" position, the handle is opened by pushing the cylinder

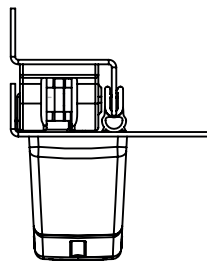
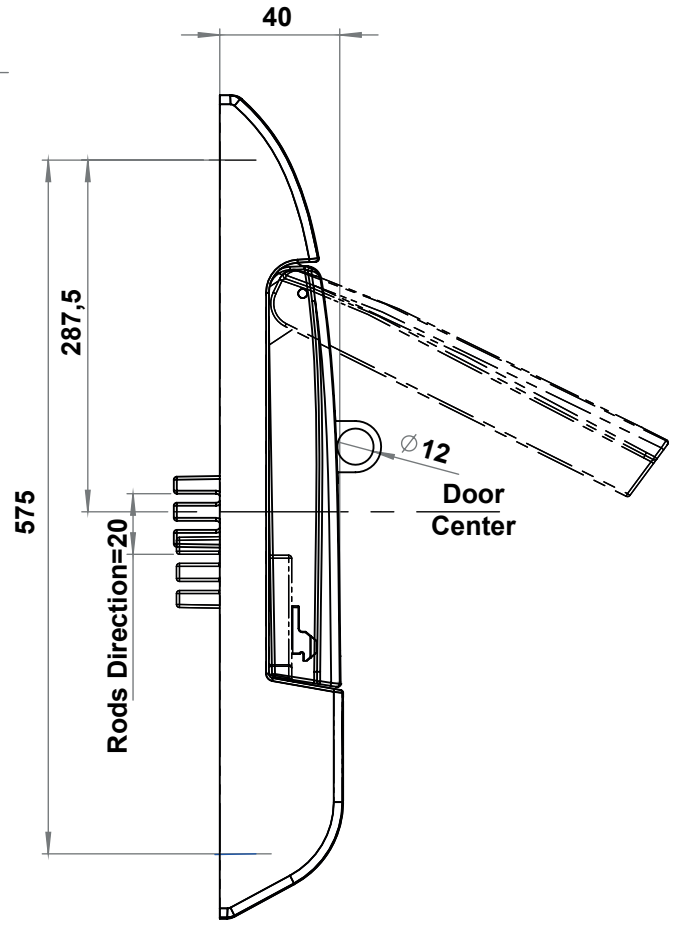
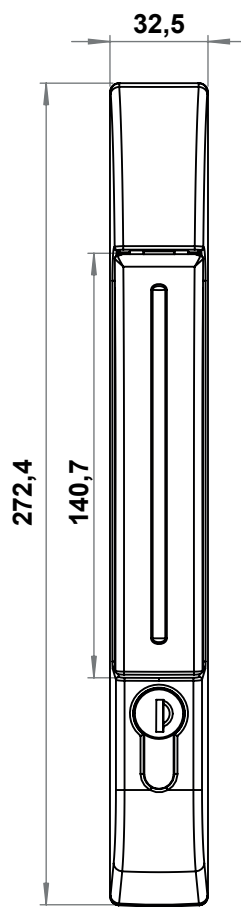
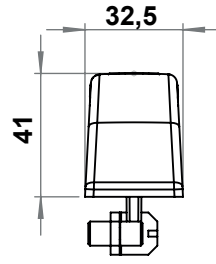
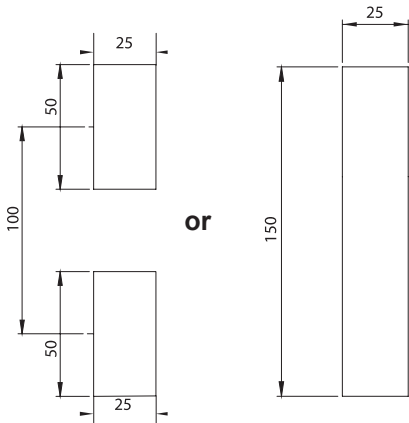
If the key is at "closed" position, the handle can not be opened.

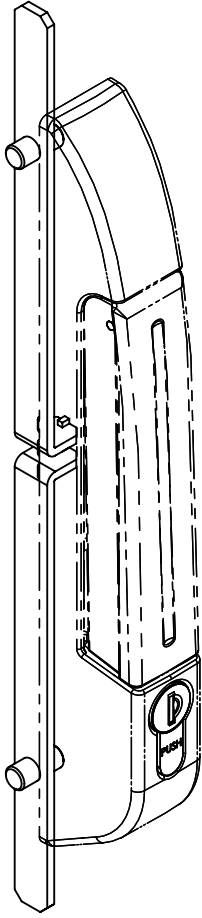


Linear Locking Systems

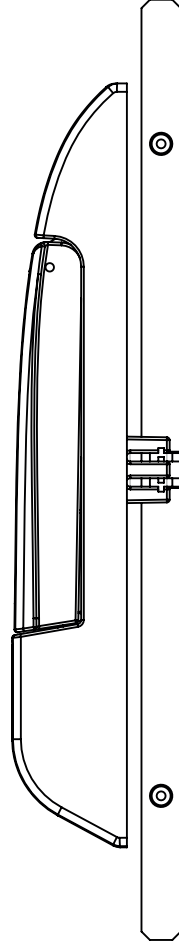


CUTOUT






**8404 Rod
8510 Rod Catcher**




2753 - Insert Type

	Insert Types	
⊗	Double bit 3 mm	2753 - 031
⊗	Double bit 5 mm	2753 - 032
△	Triangular 7 mm	2753 - 037
△	Triangular 8 mm	2753 - 033
△	Triangular 9 mm	2753 - 039
⊠	Square 7 mm	2753 - 034
⊠	Square 8 mm	2753 - 035
⊘	Slotted	2753 - 038

2753 - With Profile Cylinder

	Keyed 3333	2753 - 013
	Keyed Same	2753 - 017
	Keyed Differ	2753 - 019

2753 - Push Lock

	Keyed 3333	2753 - 713
	Keyed Same	2753 - 717
	Keyed Differ	2753 - 719



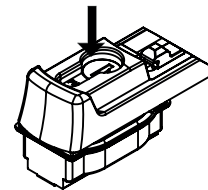
MATERIAL

Housing : Zinc die, black coated
Handle : Zinc die, black coated
Padlock Device : Stainless steel AISI 304

OPTIONS

Flat Rods :
Flat Rod Guides :
Rod Catchers :

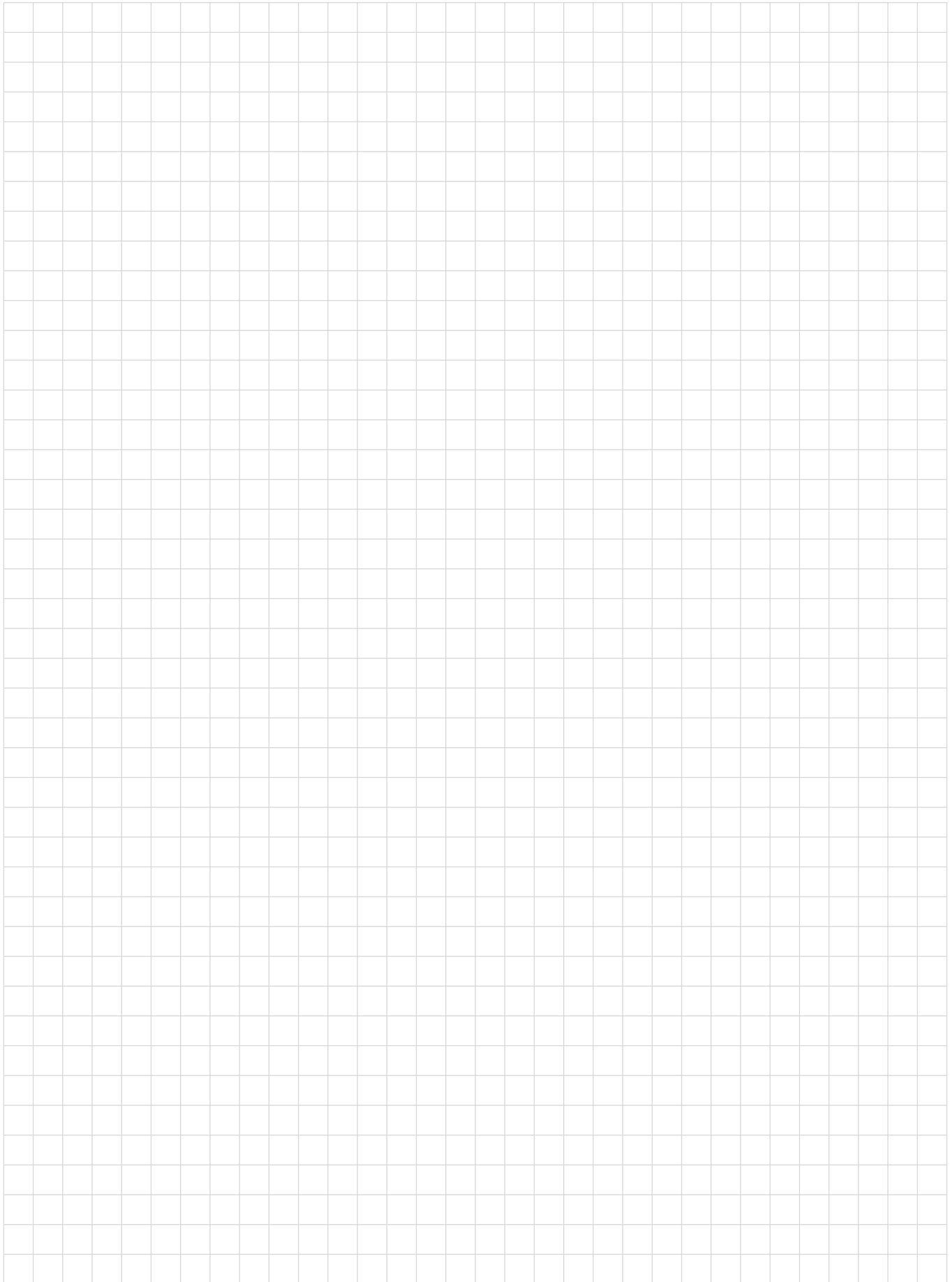
PUSH LOCK



If the key is at "open" position, the handle is opened by pushing the cylinder

If the key is at "closed" position, the handle can not be opened.

A large grid of graph paper for taking notes, consisting of 20 columns and 30 rows of small squares.

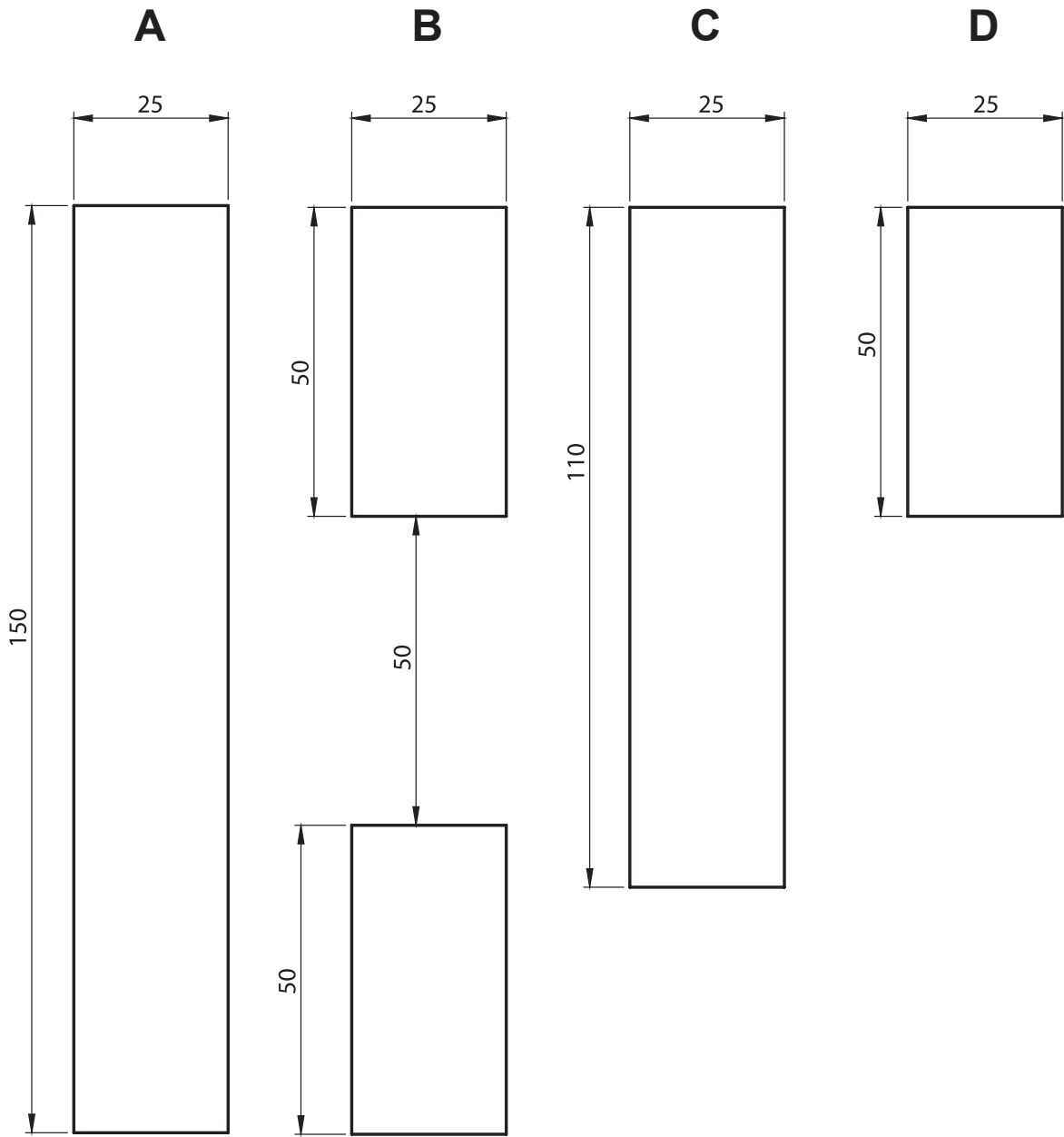


A large grid of graph paper for taking notes, consisting of 20 columns and 30 rows of small squares.

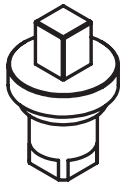
ROD LATCH SYSTEMS

Cutout

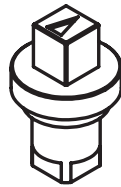
Rod Latch Systems



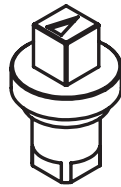
Insert and Barrel Types



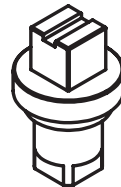
Square 6



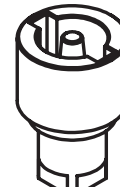
Square 7



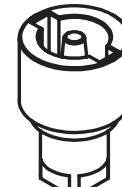
Square 8



Double bit
Square 8



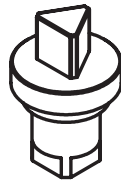
Double bit
Square 3mm



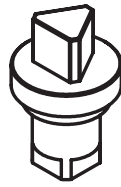
Double bit
Square 5mm



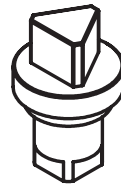
Triangle
6,5 mm



Triangle
7 mm



Triangle
8 mm



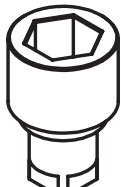
Triangle
9 mm



Fiat Type



Socket
Hexagon 5




Socket
Hexagon 8





Doğu Avrupa
Tipi

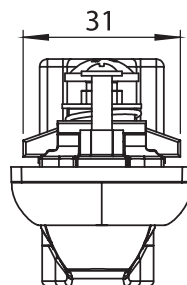
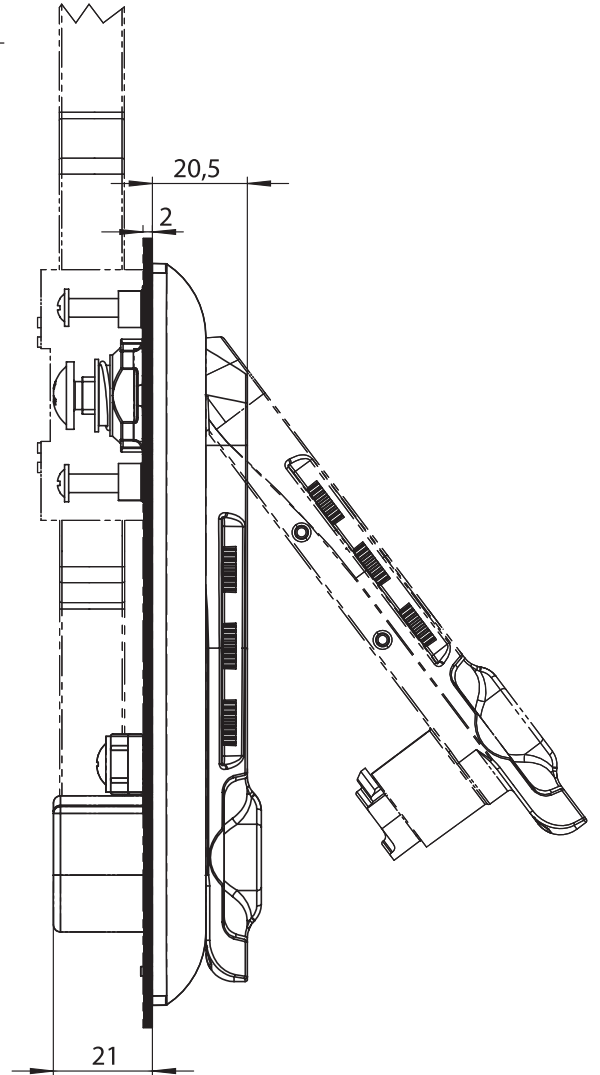
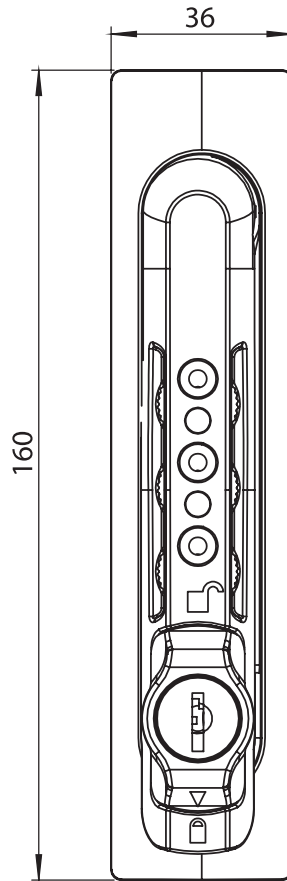
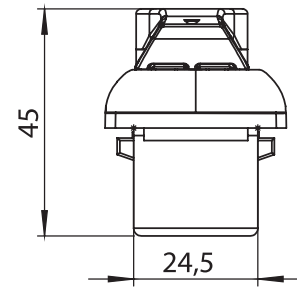
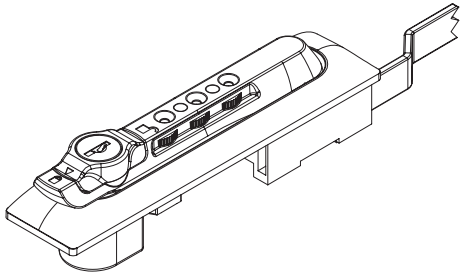


Double bit

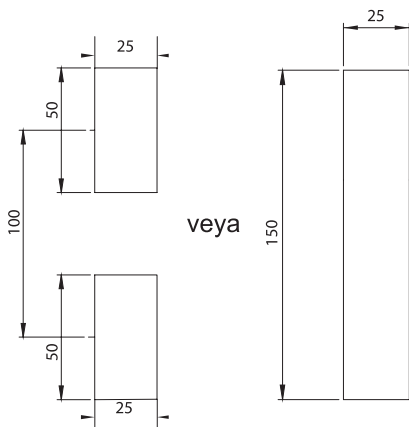
	Keyed 3333
	Keyed Same
	Keyed Differ

	Keyed 3333
	Keyed Same
	Keyed Differ

PUSH LOCK 	Keyed 3333
	Keyed Same
	Keyed Differ

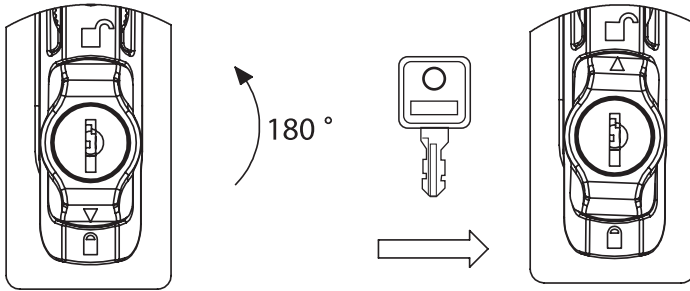


CUTOUT

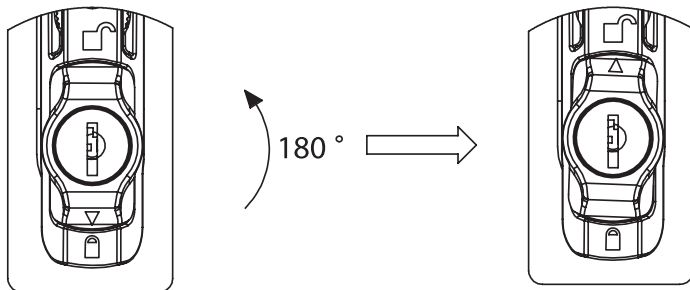


veya

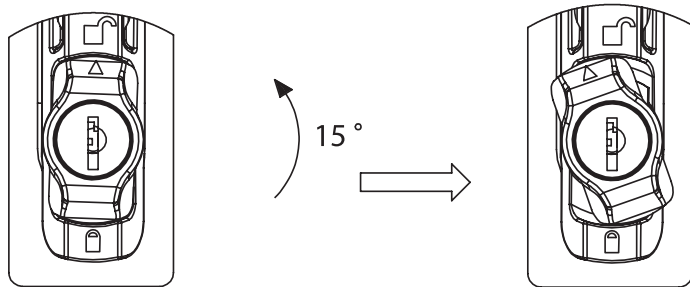
Open with key



Open with the pin code



To change the pin code



To change the pin code, turn the key by 15°, change the pin code as new pin and turn to the closed position again. The new pin code is fixed now.



Rod Latch Systems

MATERIAL

Housing: Polyamide (PA6 GFR30), black

Handle : Polyamide (PA6 GFR30), black

OPTIONS

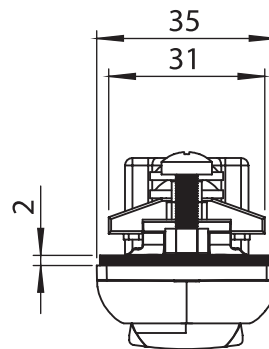
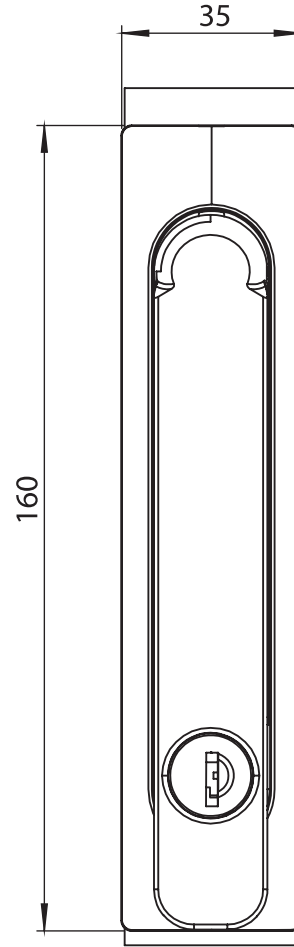
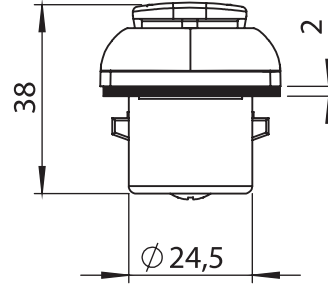
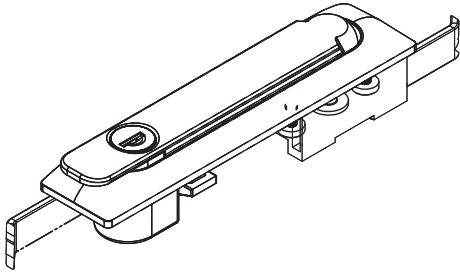
- Rod Latch :
- Rod Latch Cam Adapter :
- Cams :
- Flat Rods :
- Rod Catchers :

2210 - Keyed and Combination Swinghandle

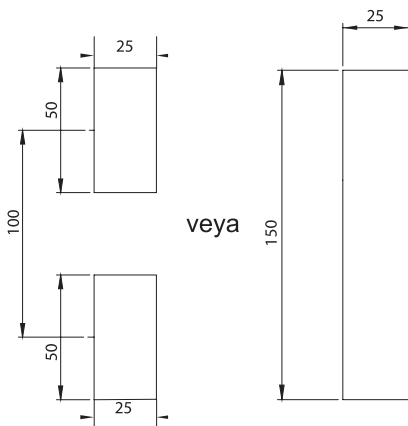
Combination Locked or Keyed 3333	2210 - 923 - MK - xxx

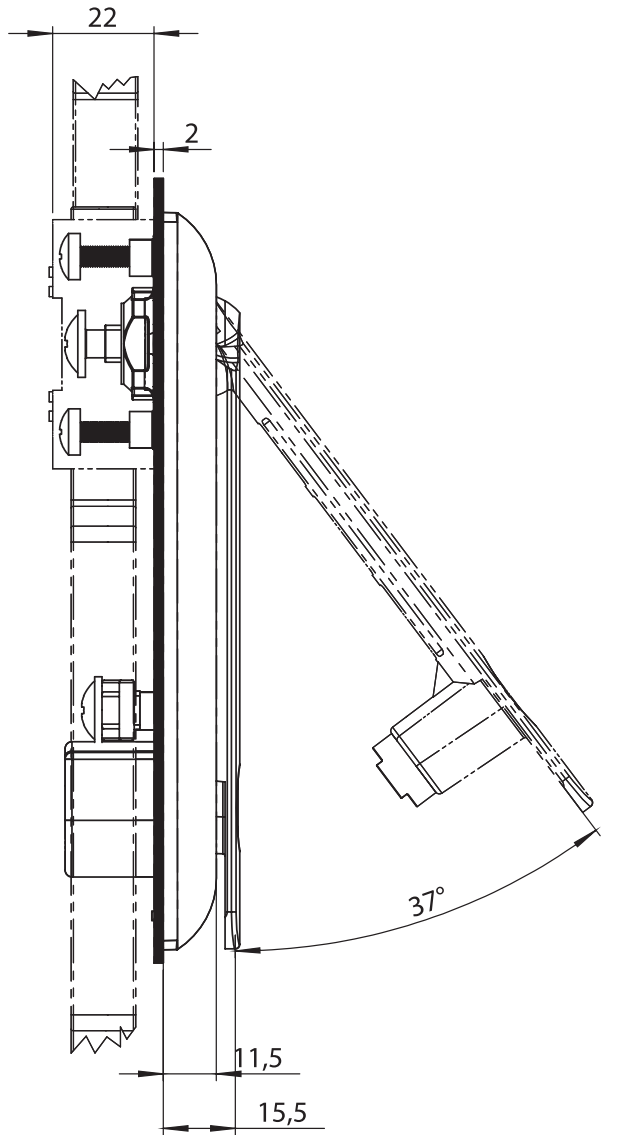
You may chose the XXX section from the tables of cams with stopper.
You may chose the MK section from the rod latches pages

IP 65	LH/RH	RoHS		Complete PA



CUTOUT





2105 - Swinghandle

Padlock		No Plain	Padlock Applicable
	Double bit 3 mm	2105 - 041 - MK - xxx	2105 - 341 - MK - xxx
	Double bit 5 mm	2105 - 042 - MK - xxx	2105 - 342 - MK - xxx
	Triangular 7 mm	2105 - 047 - MK - xxx	2105 - 347 - MK - xxx
	Triangular 8 mm	2105 - 043 - MK - xxx	2105 - 343 - MK - xxx
	Triangular 9 mm	2105 - 049 - MK - xxx	2105 - 349 - MK - xxx
	Square 7 mm	2105 - 044 - MK - xxx	2105 - 344 - MK - xxx
	Square 8 mm	2105 - 045 - MK - xxx	2105 - 345 - MK - xxx
	Slotted	2105 - 048 - MK - xxx	2105 - 348 - MK - xxx
	Keyed 3333	2105 - 023 - MK - xxx	2105 - 323 - MK - xxx
	Keyed Same	2105 - 027 - MK - xxx	2105 - 327 - MK - xxx
	Keyed Differ	2105 - 029 - MK - xxx	2105 - 329 - MK - xxx
	Keyed Differ Master System	2105 - 028 - MK - xxx	2105 - 328 - MK - xxx

For the Chrome Coated version of the same product, use code 2125 instead of code 2105.
 You may chose the XXX section from the tables of cams with stopper.
 You may chose the MK section from the rod latches pages



Rod Latch Systems

MATERIAL

Housing: Zinc die, chrome plated or black coated

Handle : Zinc die, chrome plated or black coated

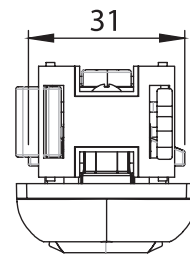
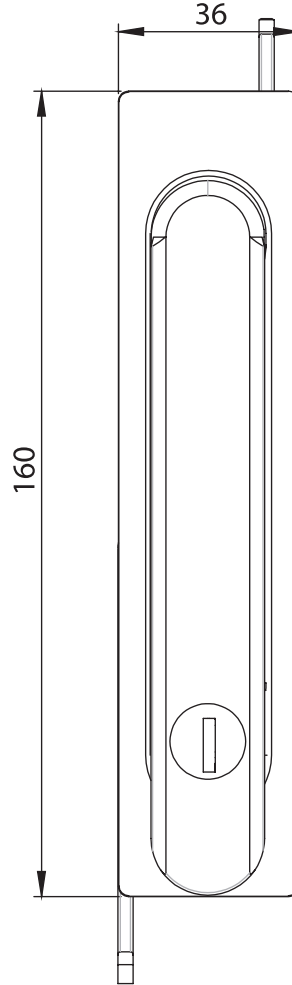
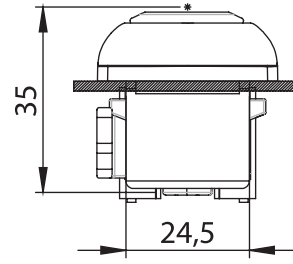
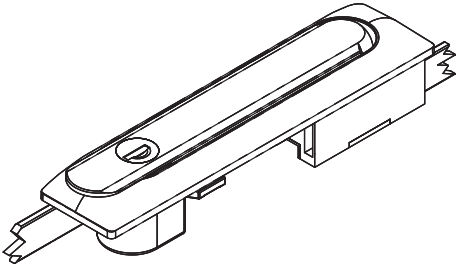
Padlock Device : Stainless steel AISI 304

OPTIONS

- Rod Latch** :
- Rod Latch Cam Adapter** :
- Cams** :
- Flat Rods** :
- Rod Catchers** :

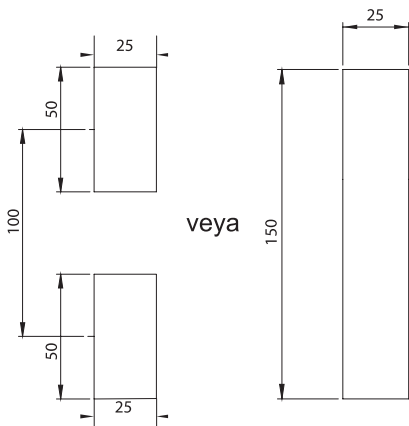
Stainless Steel version is available

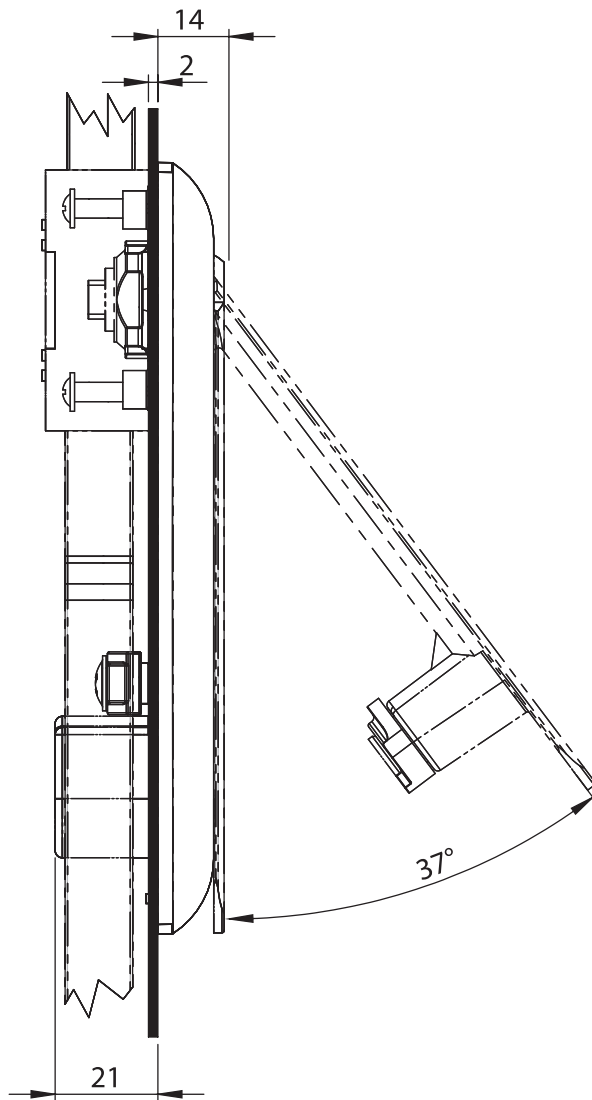
LH/RH	RoHS		IP 65	Complete PA



Rod Latch Systems

CUTOUT





2301 - Swinghandle

Barrel Type	Plain	Padlock Applicable
	Double bit 3 mm	2301 - 041 - MK - xxx 2301 - 341 - MK - xxx
	Double bit 5 mm	2301 - 042 - MK - xxx 2301 - 342 - MK - xxx
	Triangular 7 mm	2301 - 047 - MK - xxx 2301 - 347 - MK - xxx
	Triangular 8 mm	2301 - 043 - MK - xxx 2301 - 343 - MK - xxx
	Triangular 9 mm	2301 - 049 - MK - xxx 2301 - 349 - MK - xxx
	Square 7 mm	2301 - 044 - MK - xxx 2301 - 344 - MK - xxx
	Square 8 mm	2301 - 045 - MK - xxx 2301 - 345 - MK - xxx
	Slotted	2301 - 048 - MK - xxx 2301 - 348 - MK - xxx
	Keyed 3333	2301 - 023 - MK - xxx 2301 - 323 - MK - xxx
	Keyed Same	2301 - 027 - MK - xxx 2301 - 327 - MK - xxx
	Keyed Differ	2301 - 029 - MK - xxx 2301 - 329 - MK - xxx
	Keyed Differ Master System	2301 - 028 - MK - xxx 2301 - 328 - MK - xxx

You may chose the XXX section from the tables of cams with stopper.
You may chose the MK section from the rod latches pages



Rod Latch Systems

MATERIAL

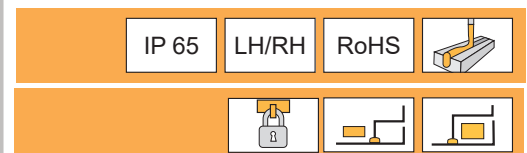
Housing: Polyamide (PA6 GFR30), black

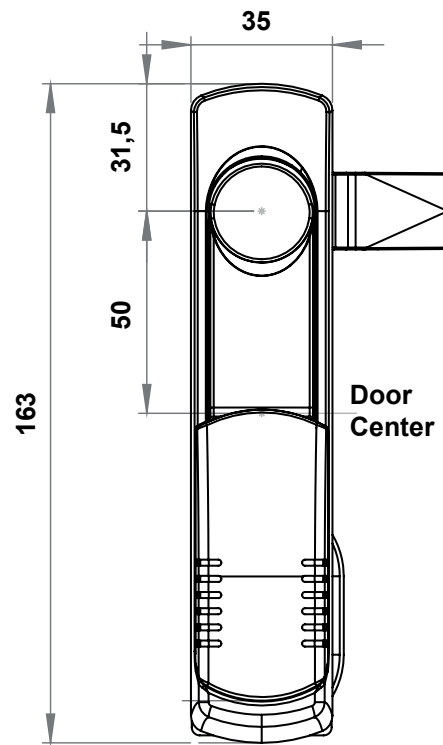
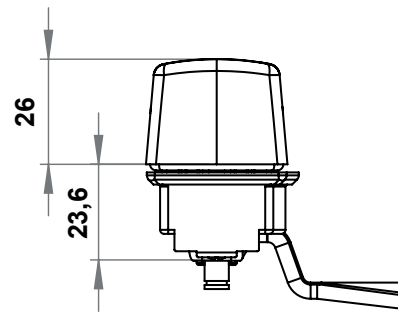
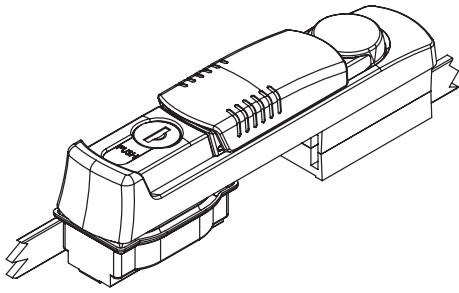
Handle : Zinc die, chrome plated or black coated

Padlock Device : Stainless steel AISI 304

OPTIONS

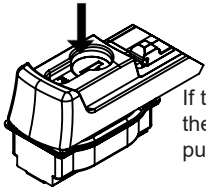
- Rod Latch** :
- Rod Latch Cam Adapter** :
- Cams** :
- Flat Rods** :
- Rod Catchers** :





Rod Latch Systems

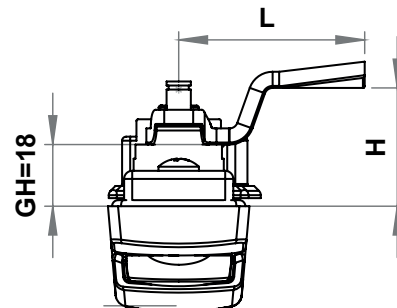
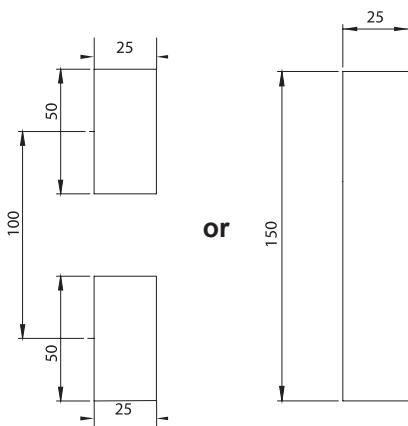
PUSH LOCK

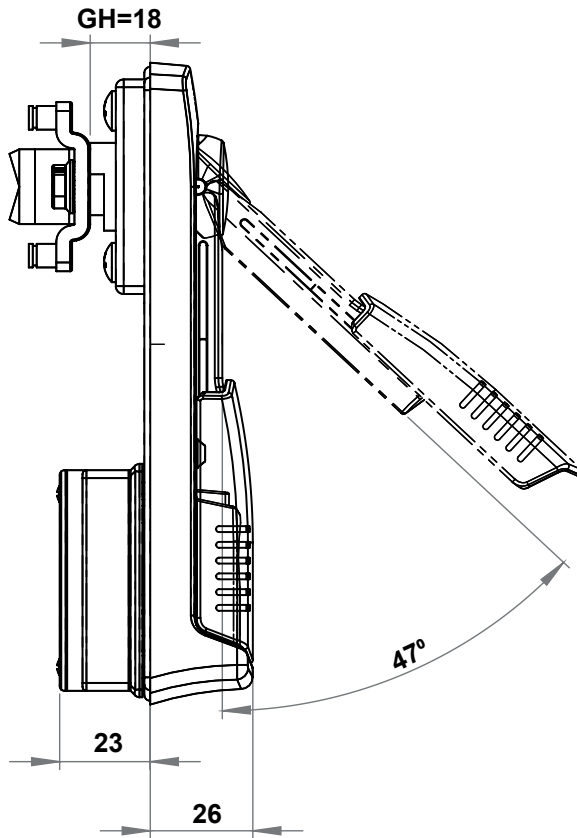


If the key is in "open" position, the handle is opened by pushing the cylinder

If the key is in "closed" position, the handle can not be opened.

CUTOUT





2303 - Swinghandle

Profile Cylinder Type		
	Hole(Empty)	2303 - 000 - MK - xxx
	Double bit 3 mm	2303 - 031 - MK - xxx
	Double bit 5 mm	2303 - 032 - MK - xxx
	Triangular 7 mm	2303 - 037 - MK - xxx
	Triangular 8 mm	2303 - 033 - MK - xxx
	Triangular 9 mm	2303 - 039 - MK - xxx
	Square 7 mm	2303 - 034 - MK - xxx
	Square 8 mm	2303 - 035 - MK - xxx
	Slotted	2303 - 038 - MK - xxx

	Keyed 3333	2303 - 013 - MK - xxx
	Keyed Same	2303 - 017 - MK - xxx
	Keyed Differ	2303 - 019 - MK - xxx

	Keyed 3333	2304 - 713 - MK - xxx
	Keyed Same	2304 - 717 - MK - xxx
	Keyed Differ	2304 - 719 - MK - xxx

You may chose the XXX section from the tables of cams with stopper.
You may chose the MK section from the rod latches pages



Rod Latch Systems

MATERIAL

Housing: Polyamide (PA6 GFR30), black
Handle : Zinc die, black coated
Padlock Device : Stainless steel AISI 304

OPTIONS

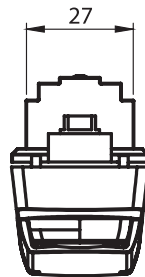
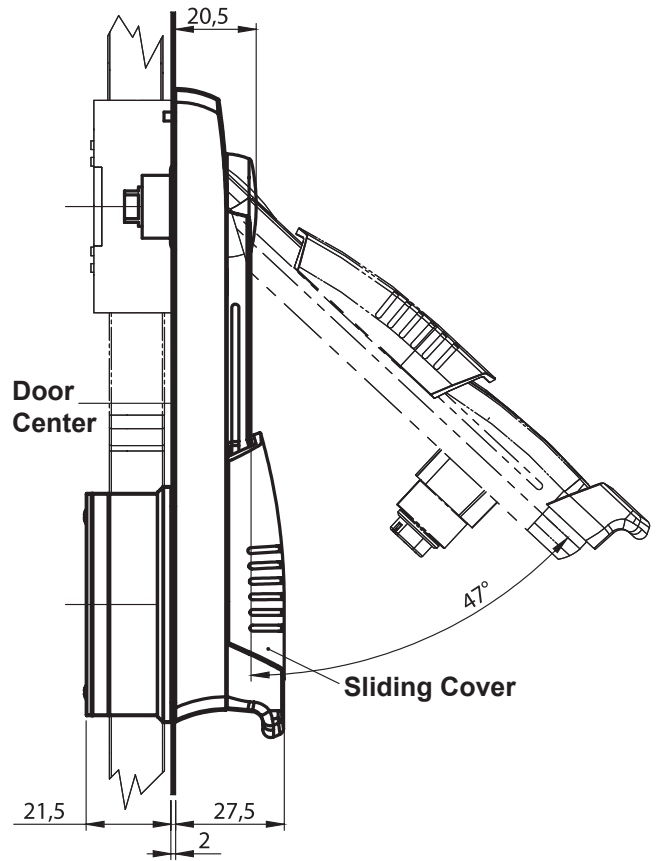
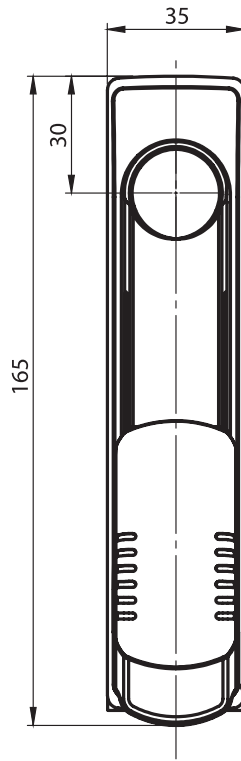
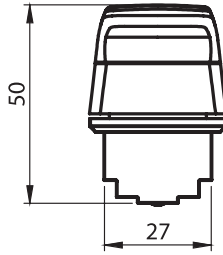
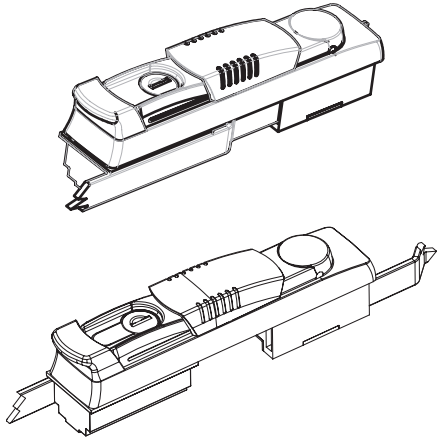
Rod Latch :
Rod Latch Cam Adapter :
Cams :
Flat Rods :
Rod Catchers :

IP 65

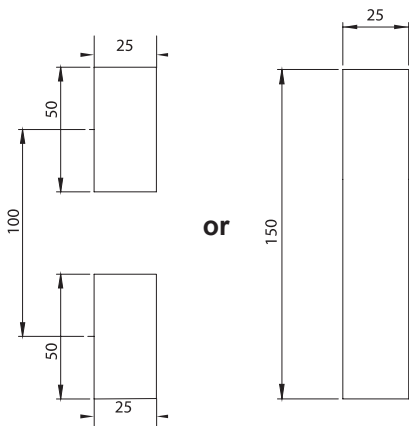
LH/RH

RoHS














CUTOUT











Rod Latch Systems


2201 - Swinghandle

Barrel Type		
	Double bit 3 mm	2201 - 041 - MK - xxx
	Double bit 5 mm	2201 - 042 - MK - xxx
	Triangular 7 mm	2201 - 047 - MK - xxx
	Triangular 8 mm	2201 - 043 - MK - xxx
	Triangular 9 mm	2201 - 049 - MK - xxx
	Square 7 mm	2201 - 044 - MK - xxx
	Square 8 mm	2201 - 045 - MK - xxx
	Slotted	2201 - 048 - MK - xxx

	Keyed 3333	2201 - 023 - MK - xxx
	Keyed Same	2201 - 027 - MK - xxx
	Keyed Differ	2201 - 029 - MK - xxx
	Keyed Differ Master System	2201 - 028 - MK - xxx

2201 - Swinghandle

Profile Cylinder Type		
	Hole(Empty)	2201 - 000 - MK - xxx
	Double bit 3 mm	2201 - 031 - MK - xxx
	Double bit 5 mm	2201 - 032 - MK - xxx
	Triangular 7 mm	2201 - 037 - MK - xxx
	Triangular 8 mm	2201 - 033 - MK - xxx
	Triangular 9 mm	2201 - 039 - MK - xxx
	Square 7 mm	2201 - 034 - MK - xxx
	Square 8 mm	2201 - 035 - MK - xxx
	Slotted	2201 - 038 - MK - xxx

	Keyed 3333	2201 - 013 - MK - xxx
	Keyed Same	2201 - 017 - MK - xxx
	Keyed Differ	2201 - 019 - MK - xxx
	Keyed Differ Master System	2201 - 018 - MK - xxx

You may chose the XXX section from the tables of cams with stopper.
You may chose the MK section from the rod latches pages



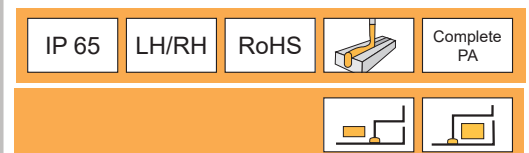
Rod Latch Systems

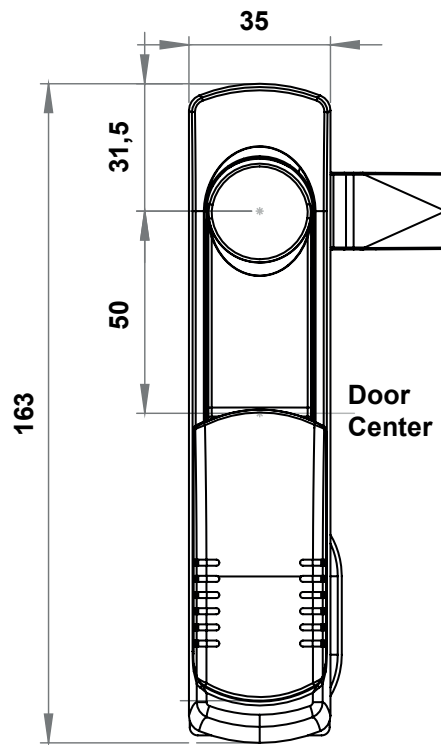
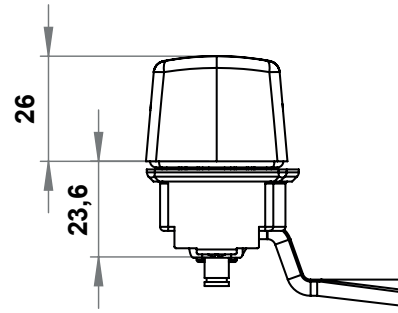
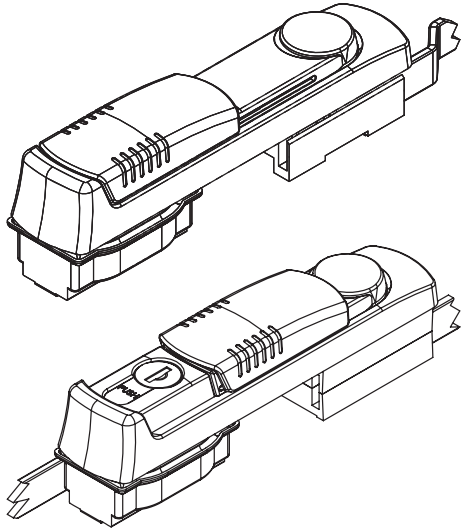
MATERIAL

Housing: Polyamide (PA6 GFR30), black
Handle : Polyamide (PA6 GFR30), black
Padlock Device : Polyamide (PA6 GFR30), black

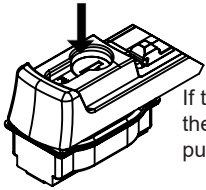
OPTIONS

Rod Latch :
Rod Latch Cam Adapter :
Cams :
Flat Rods :
Rod Catchers :





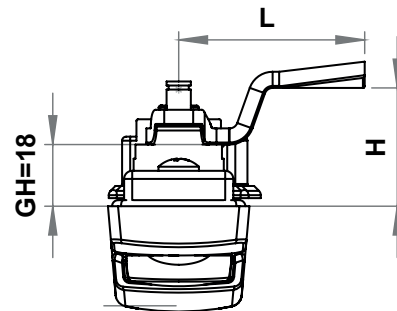
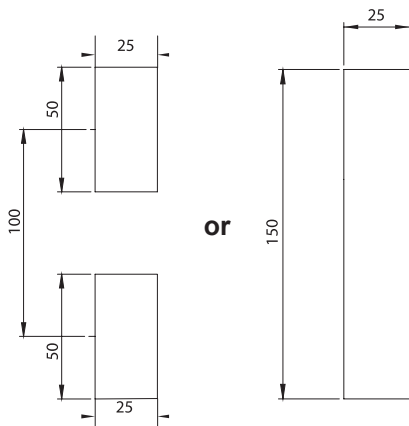
PUSH LOCK

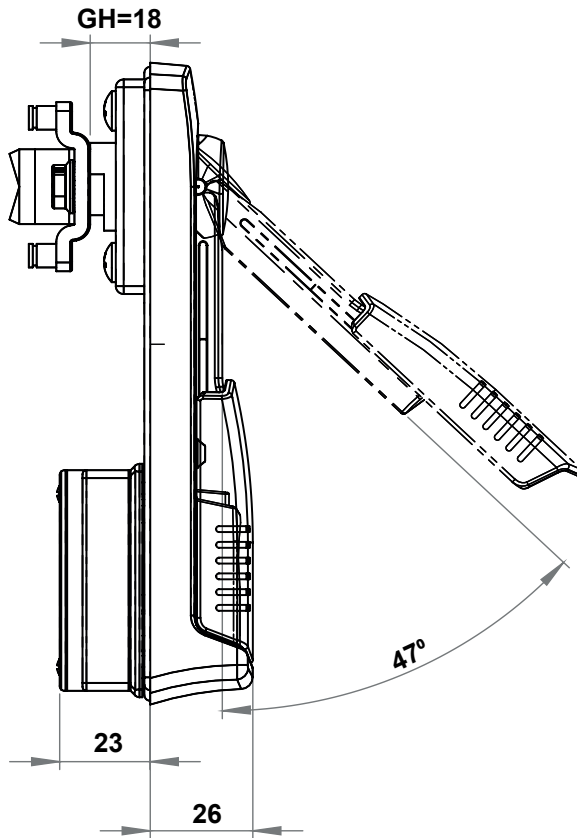


If the key is in "open" position, the handle is opened by pushing the cylinder

If the key is in "closed" position, the handle be opened.

CUTOUT





2213 - Swinghandle

Profile Cylinder Type		
	Hole(Empty)	2213 - 000 - MK - xxx
	Double bit 3 mm	2213 - 031 - MK - xxx
	Double bit 5 mm	2213 - 032 - MK - xxx
	Triangular 7 mm	2213 - 037 - MK - xxx
	Triangular 8 mm	2213 - 033 - MK - xxx
	Triangular 9 mm	2213 - 039 - MK - xxx
	Square 7 mm	2213 - 034 - MK - xxx
	Square 8 mm	2213 - 035 - MK - xxx
	Slotted	2213 - 038 - MK - xxx

	Keyed 3333	2213 - 013 - MK - xxx
	Keyed Same	2213 - 017 - MK - xxx
	Keyed Differ	2213 - 019 - MK - xxx

	Keyed 3333	2213 - 713 - MK - xxx
	Keyed Same	2213 - 717 - MK - xxx
	Keyed Differ	2213 - 719 - MK - xxx

You may chose the XXX section from the tables of cams with stopper.
You may chose the MK section from the rod latches pages



Rod Latch Systems

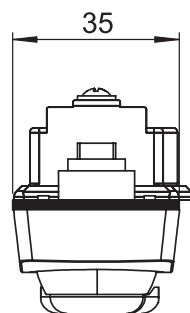
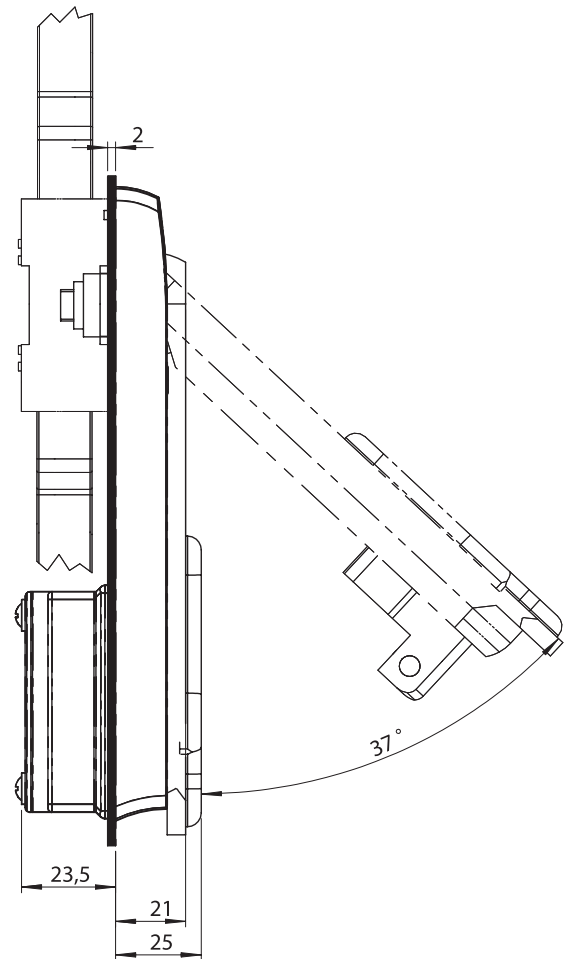
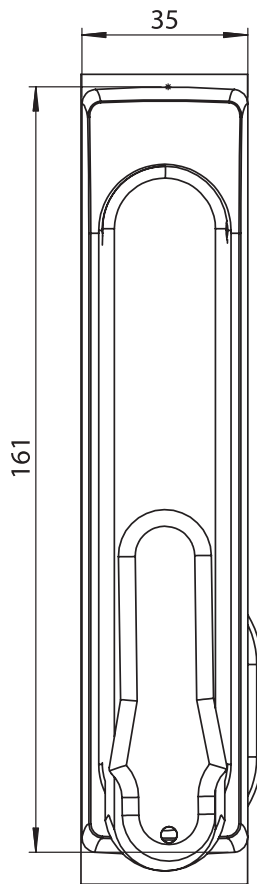
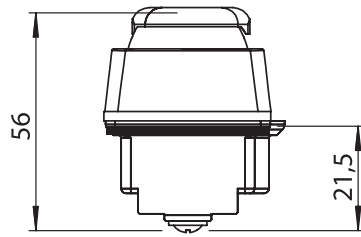
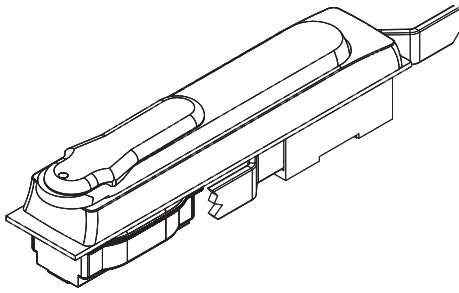
MATERIAL

Housing: Polyamide (PA6 GFR30), black
Handle : Polyamide (PA6 GFR30), black
Padlock Device : Polyamide (PA6 GFR30), black

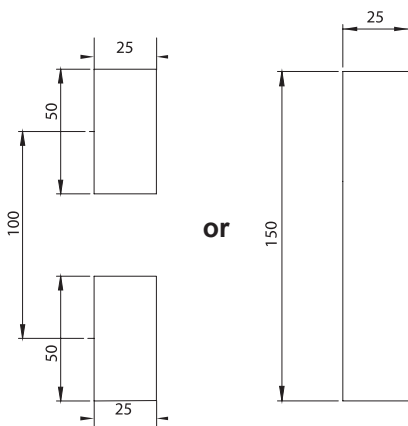
OPTIONS

Rod Latch :
Rod Latch Cam Adapter :
Cams :
Flat Rods :
Rod Catchers :









IP 65	LH/RH	RoHS		Complete PA




CUTOUT













2202 - Swinghandle

Plain	No Dustcover	With Dustcover
Hole(Empty)	2202 - 000 - MK - xxx	2202 - 100 - MK - xxx
	2202 - 031 - MK - xxx	2202 - 131 - MK - xxx
	2202 - 032 - MK - xxx	2202 - 132 - MK - xxx
	2202 - 037 - MK - xxx	2202 - 137 - MK - xxx
	2202 - 033 - MK - xxx	2202 - 133 - MK - xxx
	2202 - 039 - MK - xxx	2202 - 139 - MK - xxx
	2202 - 034 - MK - xxx	2202 - 134 - MK - xxx
	2202 - 035 - MK - xxx	2202 - 135 - MK - xxx
	2202 - 038 - MK - xxx	2202 - 138 - MK - xxx

	Keyed 3333	2202 - 013 - MK - xxx	2202 - 113 - MK - xxx
	Keyed Same	2202 - 017 - MK - xxx	2202 - 117 - MK - xxx
	Keyed Differ	2202 - 019 - MK - xxx	2202 - 119 - MK - xxx
	Keyed Differ Master System	2202 - 018 - MK - xxx	2202 - 118 - MK - xxx

2202 - Swinghandle Padlock

Padlock Applicable 	No Dustcover	With Dustcover
Hole(Empty)	2202 - 300 - MK - xxx	2202 - 200 - MK - xxx
	2202 - 331 - MK - xxx	2202 - 231 - MK - xxx
	2202 - 332 - MK - xxx	2202 - 232 - MK - xxx
	2202 - 337 - MK - xxx	2202 - 237 - MK - xxx
	2202 - 333 - MK - xxx	2202 - 233 - MK - xxx
	2202 - 339 - MK - xxx	2202 - 239 - MK - xxx
	2202 - 334 - MK - xxx	2202 - 234 - MK - xxx
	2202 - 335 - MK - xxx	2202 - 235 - MK - xxx
	2202 - 338 - MK - xxx	2202 - 238 - MK - xxx

	Keyed 3333	2202 - 313 - MK - xxx	2202 - 213 - MK - xxx
	Keyed Same	2202 - 317 - MK - xxx	2202 - 217 - MK - xxx
	Keyed Differ	2202 - 319 - MK - xxx	2202 - 219 - MK - xxx
	Keyed Differ Master System	2202 - 318 - MK - xxx	2202 - 218 - MK - xxx

You may chose the XXX section from the tables of cams with stopper.
You may chose the MK section from the rod latches pages



Rod Latch Systems

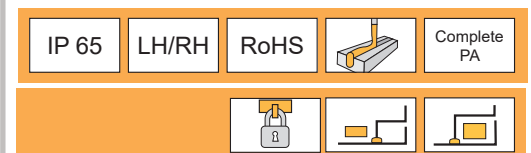
MATERIAL

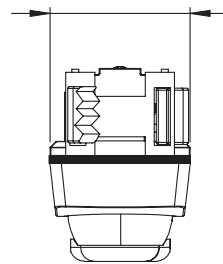
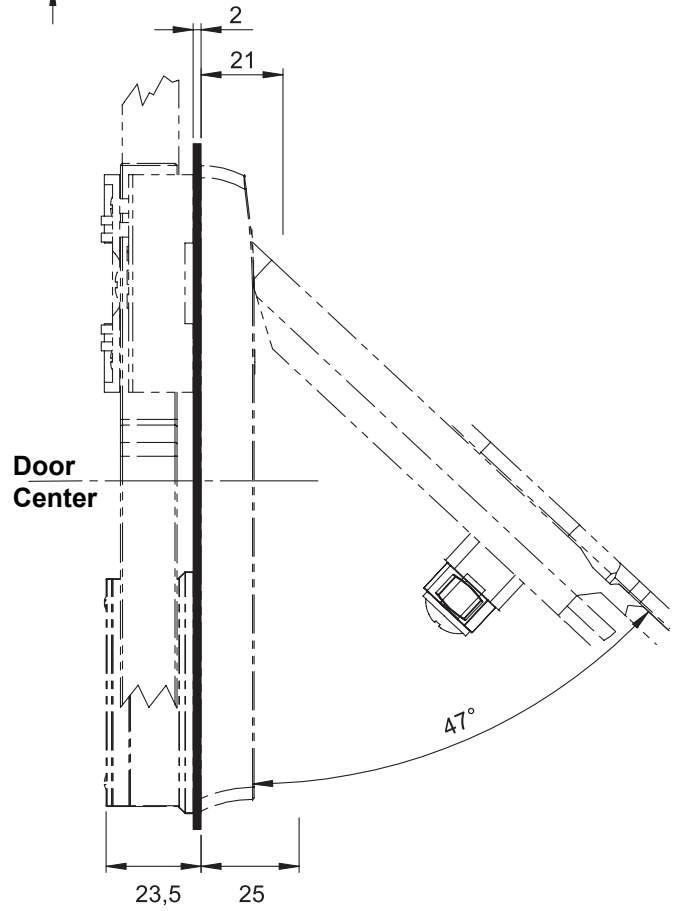
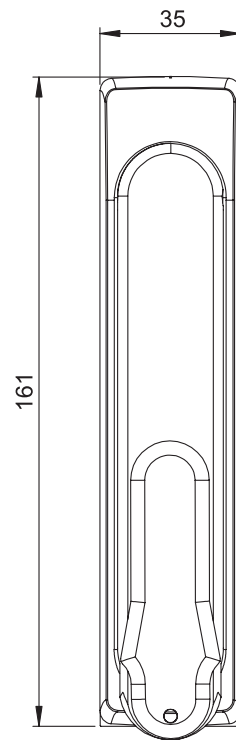
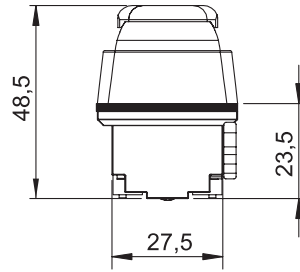
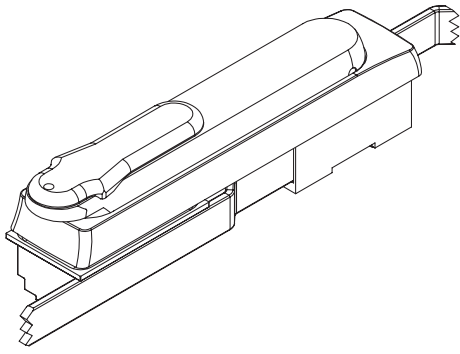
Housing : Polyamide (PA6 GFR30), black
Handle : Polyamide (PA6 GFR30), black
Dust Cover : Polyamide (PA6 GFR30), black
Padlock Device : Stainless steel AISI 304

OPTIONS

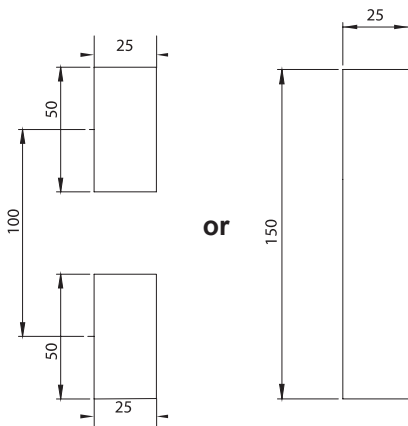
Rod Latch :
Rod Latch Cam Adapter :
Cams :
Flat Rods :
Rod Catchers :

Stainless Steel version is available













CUTOUT













Rod Latch Systems

2203 - Swinghandle

	Plain	No Dustcover	With Dustcover
	Double bit 3 mm	2203 - 041 - MK - xxx	2203 - 141 - MK - xxx
	Double bit 5 mm	2203 - 042 - MK - xxx	2203 - 142 - MK - xxx
	Triangular 7 mm	2203 - 047 - MK - xxx	2203 - 147 - MK - xxx
	Triangular 8 mm	2203 - 043 - MK - xxx	2203 - 143 - MK - xxx
	Triangular 9 mm	2203 - 049 - MK - xxx	2203 - 149 - MK - xxx
	Square 7 mm	2203 - 044 - MK - xxx	2203 - 144 - MK - xxx
	Square 8 mm	2203 - 045 - MK - xxx	2203 - 145 - MK - xxx
	Slotted	2203 - 048 - MK - xxx	2203 - 148 - MK - xxx
	Keyed 3333	2203 - 023 - MK - xxx	2203 - 123 - MK - xxx
	Keyed Same	2203 - 027 - MK - xxx	2203 - 127 - MK - xxx
	Keyed Differ	2203 - 029 - MK - xxx	2203 - 129 - MK - xxx
	Keyed Differ Master System	2203 - 028 - MK - xxx	2203 - 128 - MK - xxx

2203 - Swinghandle Padlock

Padlock Applicable 		No Dustcover	With Dustcover
	Double bit 3 mm	2203 - 341 - MK - xxx	2203 - 241 - MK - xxx
	Double bit 5 mm	2203 - 342 - MK - xxx	2203 - 242 - MK - xxx
	Triangular 7 mm	2203 - 347 - MK - xxx	2203 - 247 - MK - xxx
	Triangular 8 mm	2203 - 343 - MK - xxx	2203 - 244 - MK - xxx
	Triangular 9 mm	2203 - 349 - MK - xxx	2203 - 249 - MK - xxx
	Square 7 mm	2203 - 344 - MK - xxx	2203 - 244 - MK - xxx
	Square 8 mm	2203 - 345 - MK - xxx	2203 - 245 - MK - xxx
	Slotted	2203 - 348 - MK - xxx	2203 - 248 - MK - xxx
	Keyed 3333	2203 - 323 - MK - xxx	2203 - 223 - MK - xxx
	Keyed Same	2203 - 327 - MK - xxx	2203 - 227 - MK - xxx
	Keyed Differ	2203 - 329 - MK - xxx	2203 - 229 - MK - xxx
	Keyed Differ Master System	2203 - 328 - MK - xxx	2203 - 228 - MK - xxx

You may chose the XXX section from the tables of cams with stopper.
You may chose the MK section from the rod latches pages



Rod Latch Systems

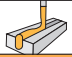



MATERIAL

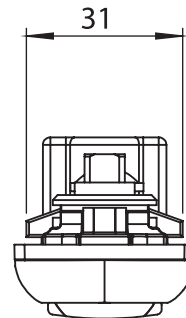
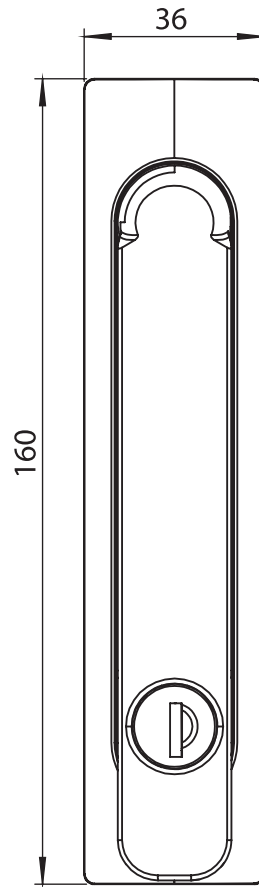
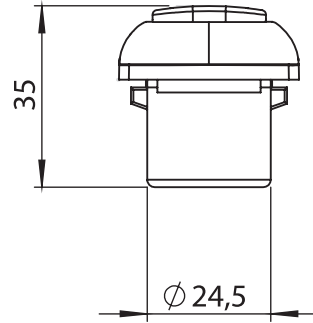
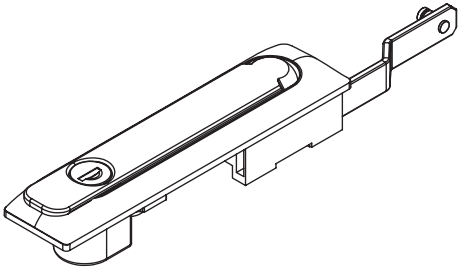
Housing : Polyamide (PA6 GFR30), black
Handle : Polyamide (PA6 GFR30), black
Dust Cover : Polyamide (PA6 GFR30), black
Padlock Device : Stainless steel AISI 304

OPTIONS

Rod Latch :
Rod Latch Cam Adapter :
Cams :
Flat Rods :
Rod Catchers :

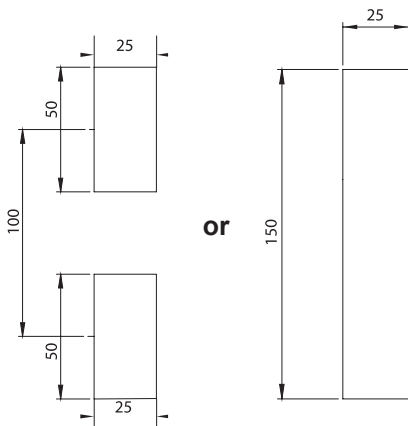
Stainless Steel version is available

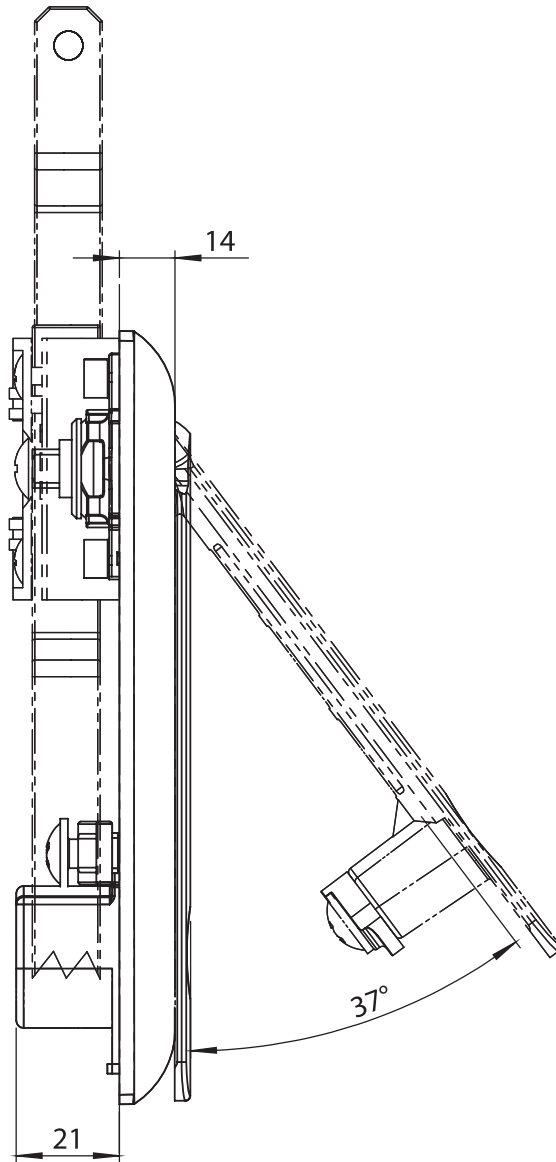
IP 65	LH/RH	RoHS		Complete PA
  				



Rod Latch Systems

CUTOUT





2208 - Swinghandle Padlock Applicable

Barrel Type		
	Double bit 3 mm	2208 - 041 - MK - xxx
	Double bit 5 mm	2208 - 042 - MK - xxx
	Triangular 7 mm	2208 - 047 - MK - xxx
	Triangular 8 mm	2208 - 043 - MK - xxx
	Triangular 9 mm	2208 - 049 - MK - xxx
	Square 7 mm	2208 - 044 - MK - xxx
	Square 8 mm	2208 - 045 - MK - xxx
	Slotted	2208 - 048 - MK - xxx

	Keyed 3333	2208 - 023 - MK - xxx
	Keyed Same	2208 - 027 - MK - xxx
	Keyed Differ	2208 - 029 - MK - xxx
	Keyed Differ Master System	2208 - 028 - MK - xxx

You may chose the XXX section from the tables of cams with stopper.
You may chose the MK section from the rod latches pages



Rod Latch Systems

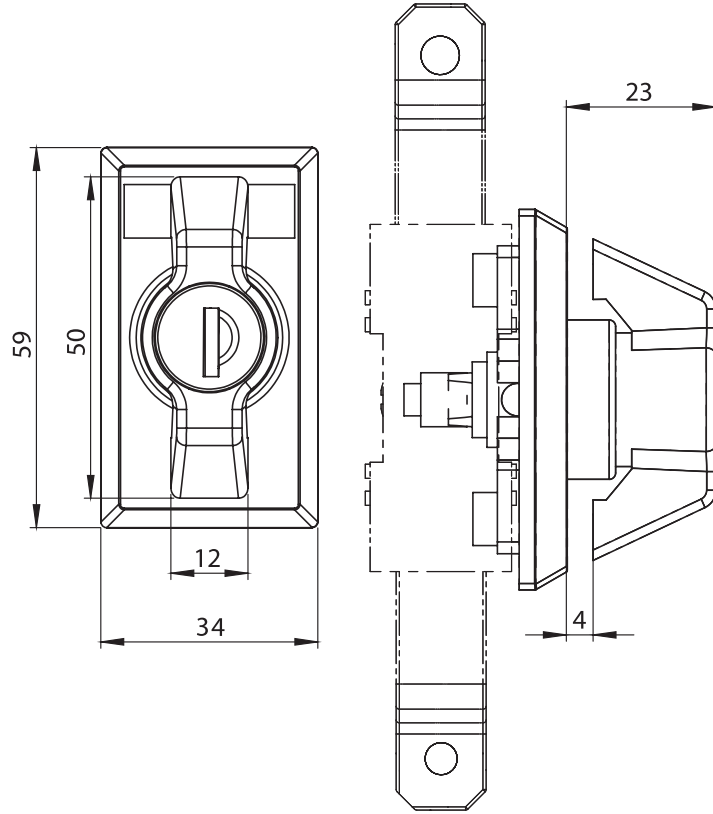
MATERIAL

Housing : Polyamide (PA6 GFR30), black
Handle : Polyamide (PA6 GFR30), black

OPTIONS

Rod Latch :
Rod Latch Cam Adapter :
Cams :
Flat Rods :
Rod Catchers :

IP 65	LH/RH	RoHS		Complete PA

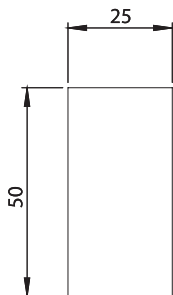
**MATERIAL**

Housing : Polyamide (PA6 GFR30), black

Wing Knob : Zinc die, chrome plated /
Black coated /
Polyamide (PA), black

OPTIONS

Rod Latch :
Rod Latch Cam Adapter :
Cams :
Flat Rods :
Rod Catchers :

CUTOUT**1015 - Escutcheon with Wing Knob**

	PA	Zinc die, Chrome Plated	Zinc die, Black Coated
Non-Locking	1015 - 101 - MK - xxx	1015 - 211 - MK - xxx	1015 - 111 - MK - xxx
Keyed 3333	1015 - 103 - MK - xxx	1015 - 213 - MK - xxx	1015 - 113 - MK - xxx

You may chose the XXX section from the tables of cams
You may chose the MK section from the rod latches pages

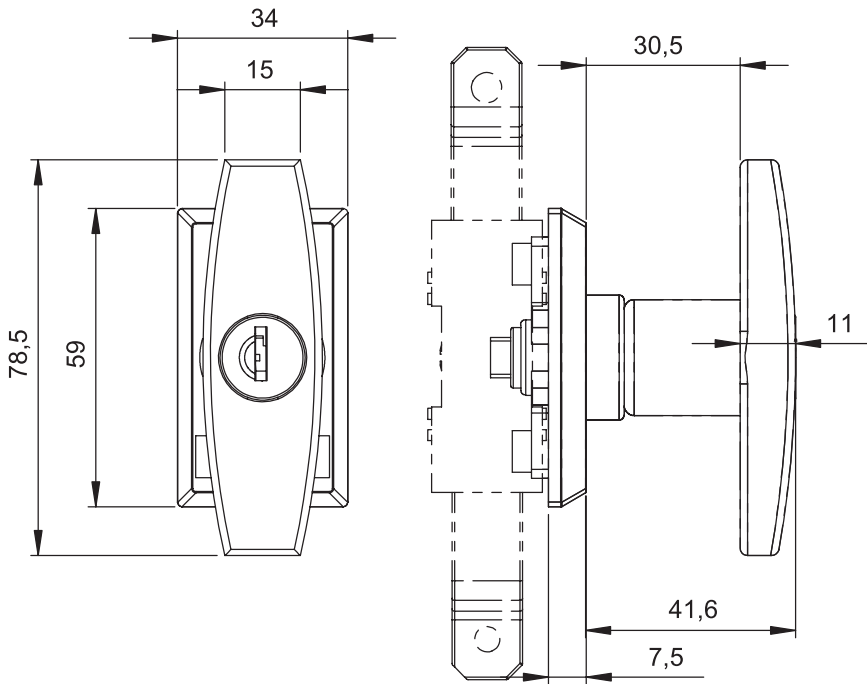
IP 65



LH/RH



RoHS



Rod Latch Systems

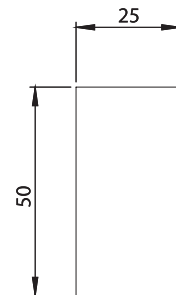
MATERIAL

Housing : Polyamide (PA6 GFR30), black
T Handle: Zinc die, chrome plated or black coated / Polyamide (PA), black

OPTIONS

- Rod Latch :
- Rod Latch Cam Adapter :
- Cams :
- Flat Rods :
- Rod Catchers :

CUTOUT

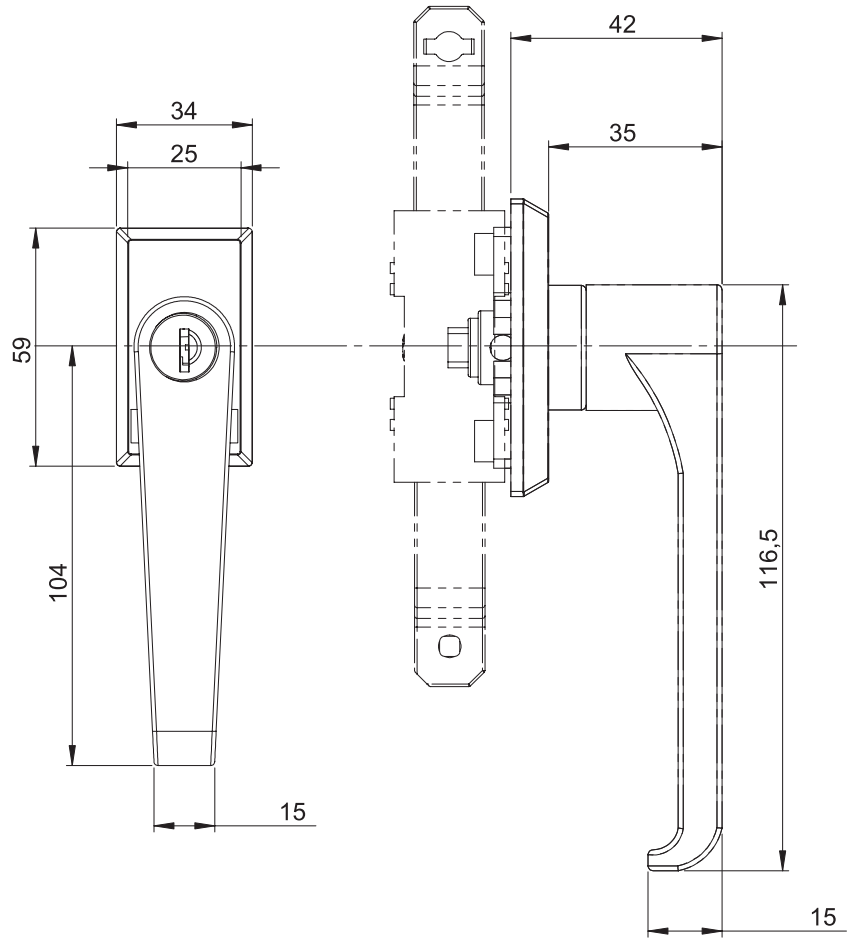


1201 - T Handle

	PA	Zinc die, Chrome Plated	Zinc die, Black Coated
Non-Locking	1201 - 101 - MK - xxx	1201 - 110 - MK - xxx	1201 - 210 - MK - xxx
Keyed 3333	1201 - 103 - MK - xxx	1201 - 113 - MK - xxx	1201 - 213 - MK - xxx

You may chose the XXX section from the tables of cams
 You may chose the MK section from the rod latches pages



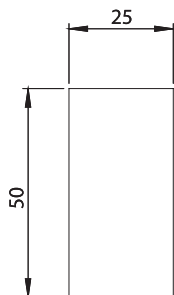
**MATERIAL**

Housing : Polyamide (PA6 GFR30), black

L Handle : Zinc die, chrome plated or black coated

OPTIONS

Rod Latch :
 Rod Latch Cam Adapter :
 Cams :
 Flat Rods :
 Rod Catchers :

CUTOUT**1205 - L Swinghandle**

	Zinc die, Chrome Plated	Zinc die, Black Coated
Non-Locking	1205 - 110 - MK - xxx	1205 - 210 - MK - xxx
Keyed 3333	1205 - 113 - MK - xxx	1205 - 213 - MK - xxx

IP 65

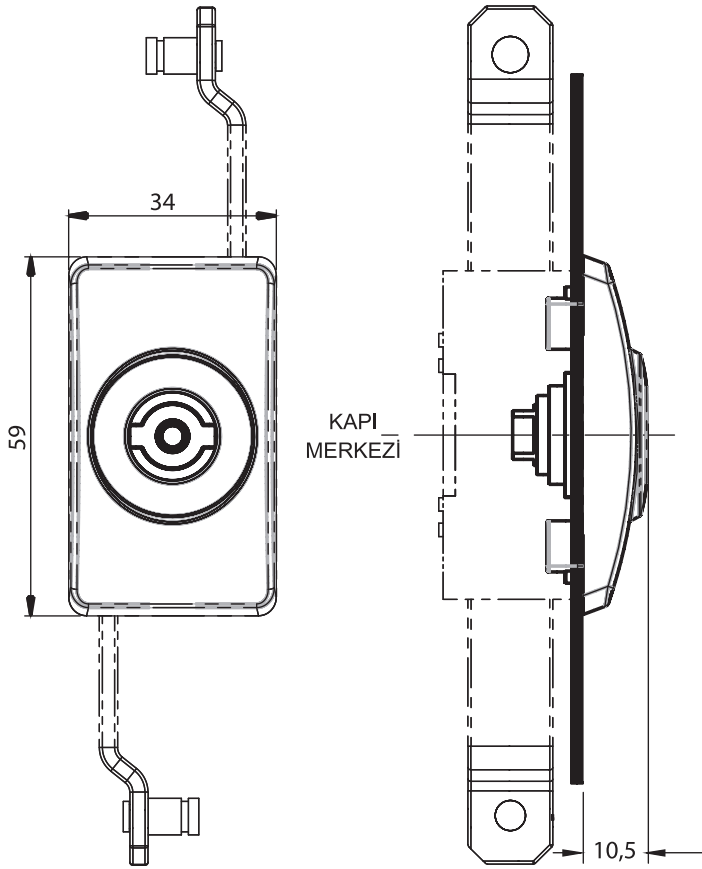


LH/RH



RoHS

You may chose the XXX section from the tables of cams
 You may chose the MK section from the rod latches pages



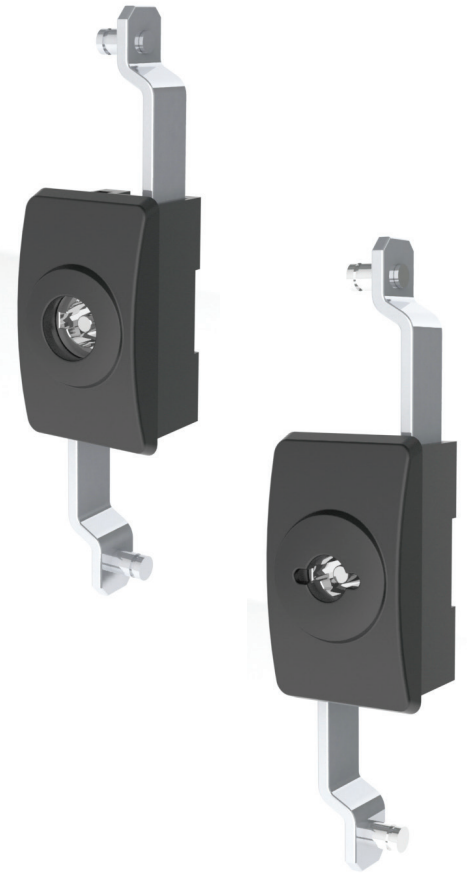
2810 - Escutcheon

		Item Number
	Double bit 3 mm	2810 - 021 - MK - xxx
	Double bit 5 mm	2810 - 022 - MK - xxx
	Triangular 7 mm	2810 - 027 - MK - xxx
	Triangular 8 mm	2810 - 023 - MK - xxx
	Triangular 9 mm	2810 - 029 - MK - xxx
	Square 7 mm	2810 - 024 - MK - xxx
	Square 8 mm	2810 - 025 - MK - xxx
	Slotted	2810 - 028 - MK - xxx

2820 - Escutcheon - With Mask

		Item Number
	Double bit 3 mm	2820 - 021 - MK - xxx
	Double bit 5 mm	2820 - 022 - MK - xxx

You may chose the XXX section from the tables of cams
You may chose the MK section from the rod latches pages



Rod Latch Systems

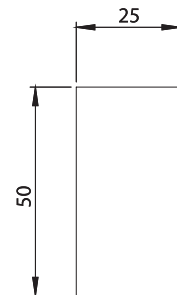
MATERIAL

Housing : Polyamide (PA6 GFR30), black
Insert : Zinc die, chrome plated

OPTIONS

Rod Latch :
Rod Latch Cam Adapter :
Cams :
Flat Rods :
Rod Catchers :

CUTOUT



IP 40

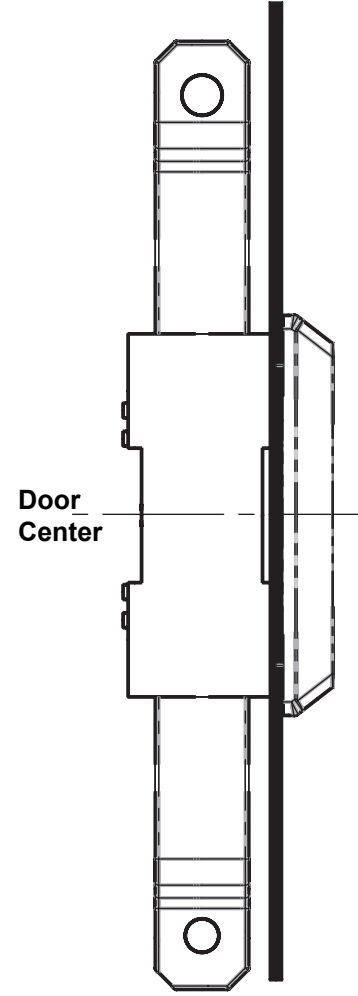
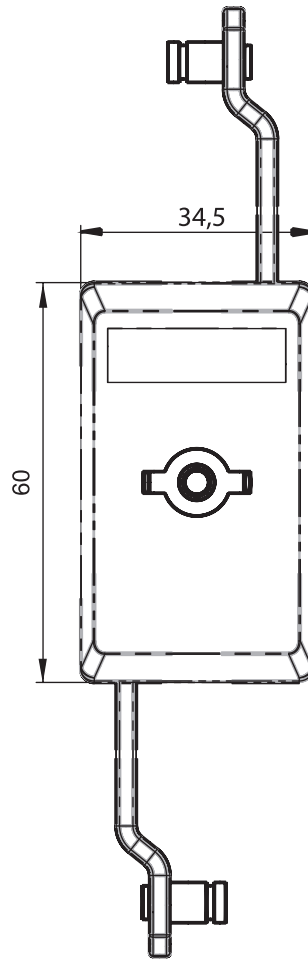
IP 65



LH/RH

RoHS

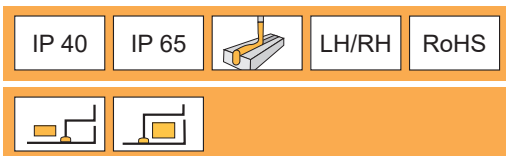
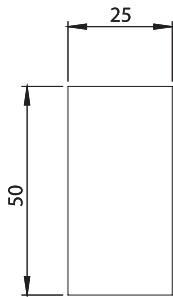


**MATERIAL**

Housing : Polyamide (PA6 GFR30), black
Insert : Zinc die, chrome plated

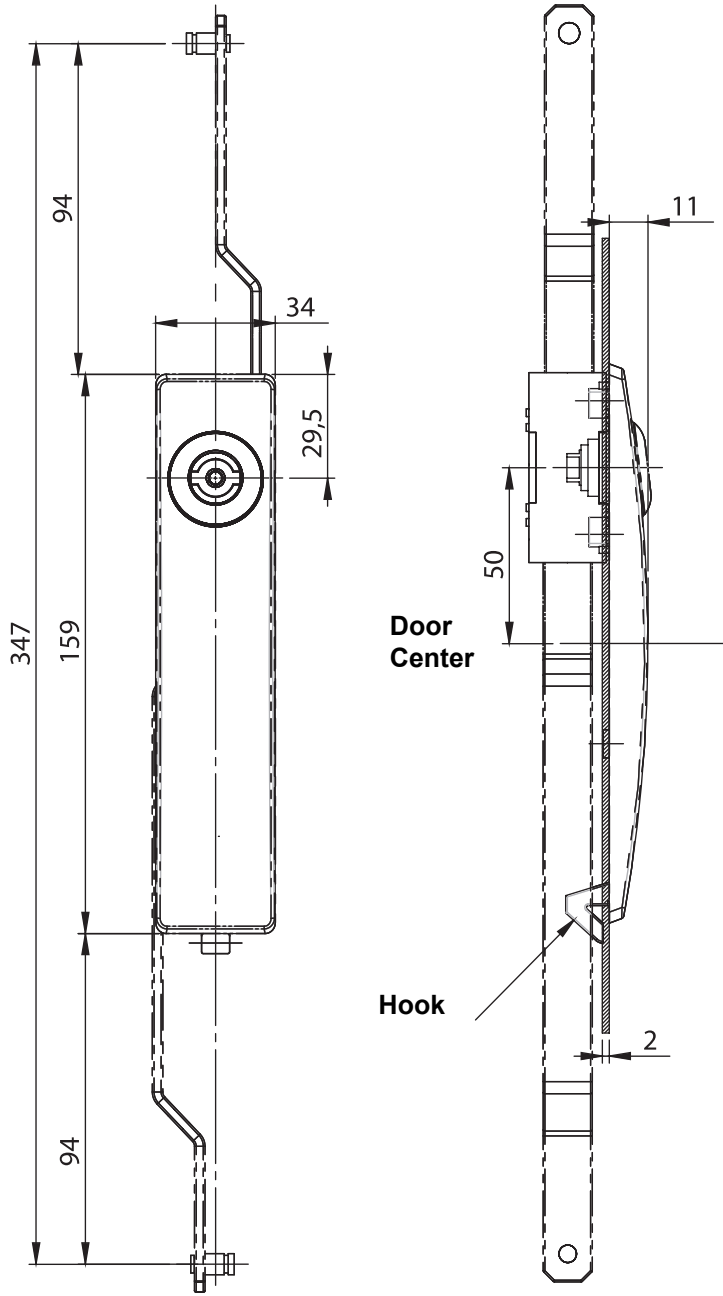
OPTIONS

Rod Latch :
 Rod Latch Cam Adapter :
 Cams :
 Flat Rods :
 Rod Catchers :

CUTOUT**2830 - Escutchion**

	Padlock	Item Number
	Double bit 3 mm	2830 - 021 - MK - xxx
	Double bit 5 mm	2830 - 022 - MK - xxx

You may chose the XXX section from the tables of cams
 You may chose the MK section from the rod latches pages



Rod Latch Systems

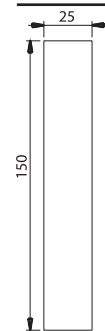
MATERIAL

Housing : Polyamide (PA6 GFR30), black
Insert : Zinc die, chrome plated

OPTIONS

- Rod Latch :
- Rod Latch Cam Adapter :
- Cams :
- Flat Rods :
- Rod Catchers :

CUTOUT



2840 - Escutcheon

Padlock		Item Number
	Double bit 3 mm	2840 - 021 - MK - xxx
	Double bit 5 mm	2840 - 022 - MK - xxx
	Triangular 8 mm	2840 - 023 - MK - xxx
	Square 8 mm	2840 - 025 - MK - xxx
	Slotted	2840 - 028 - MK - xxx

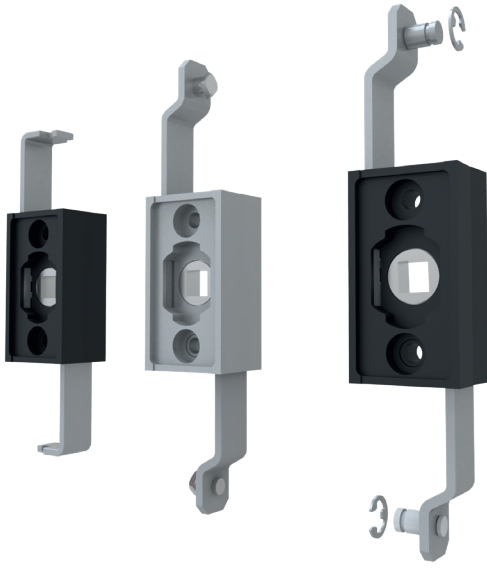
You may chose the XXX section from the tables of cams
 You may chose the MK section from the rod latches pages

IP 40

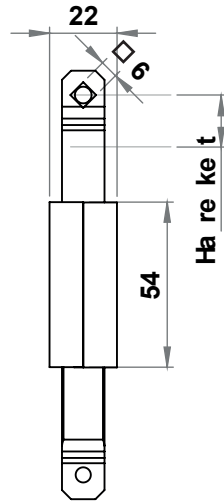
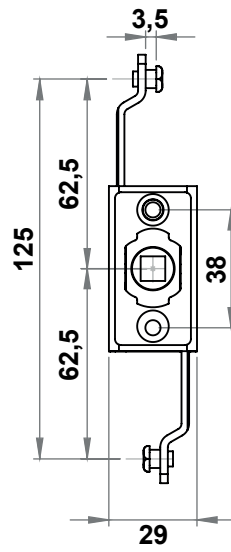
RoHS

LH/RH



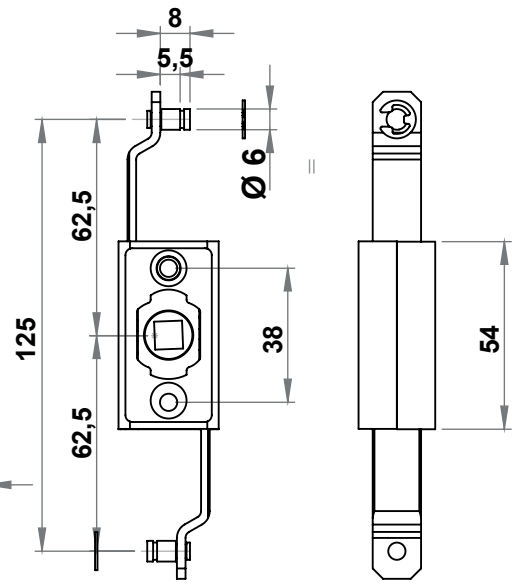


With Pin and Circlip

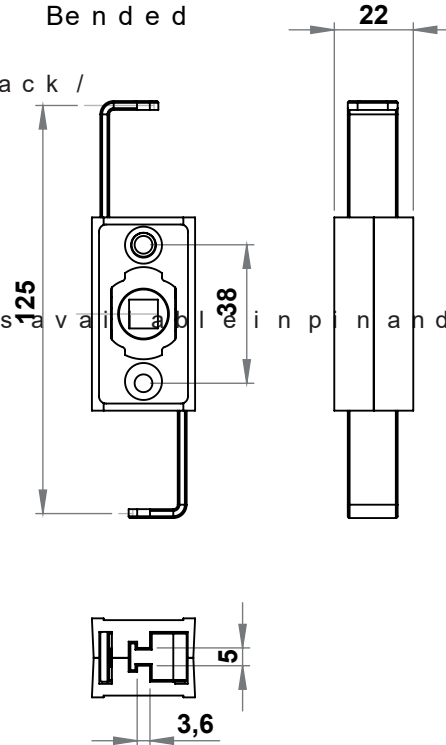


35° => 23,5mm
90° => 16mm

With Square Pins



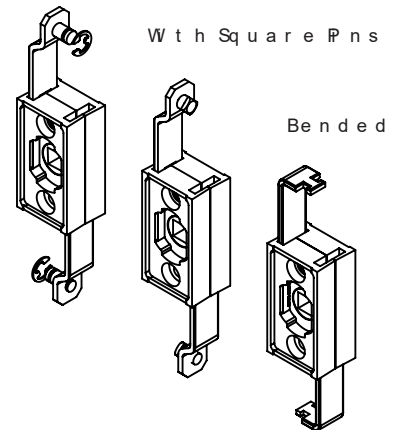
Bended



With Pin and Circlip

With Square Pins

Bended



MATERIAL

Housing: Polyamide (PA6 GFR30), black / Zinc die
Rods: Steel, zinc plated
Pins: Steel, zinc plated

OPTIONS

Stainless Steel version is available in pin and circlip versions.

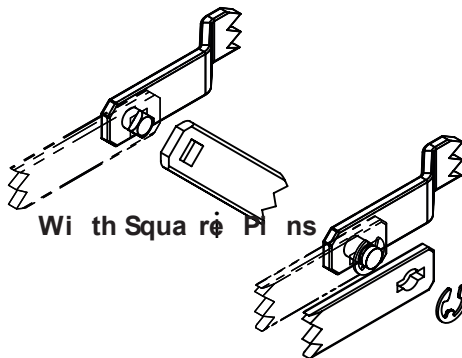
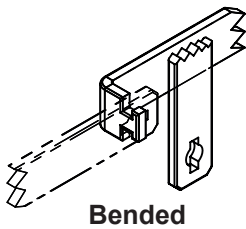
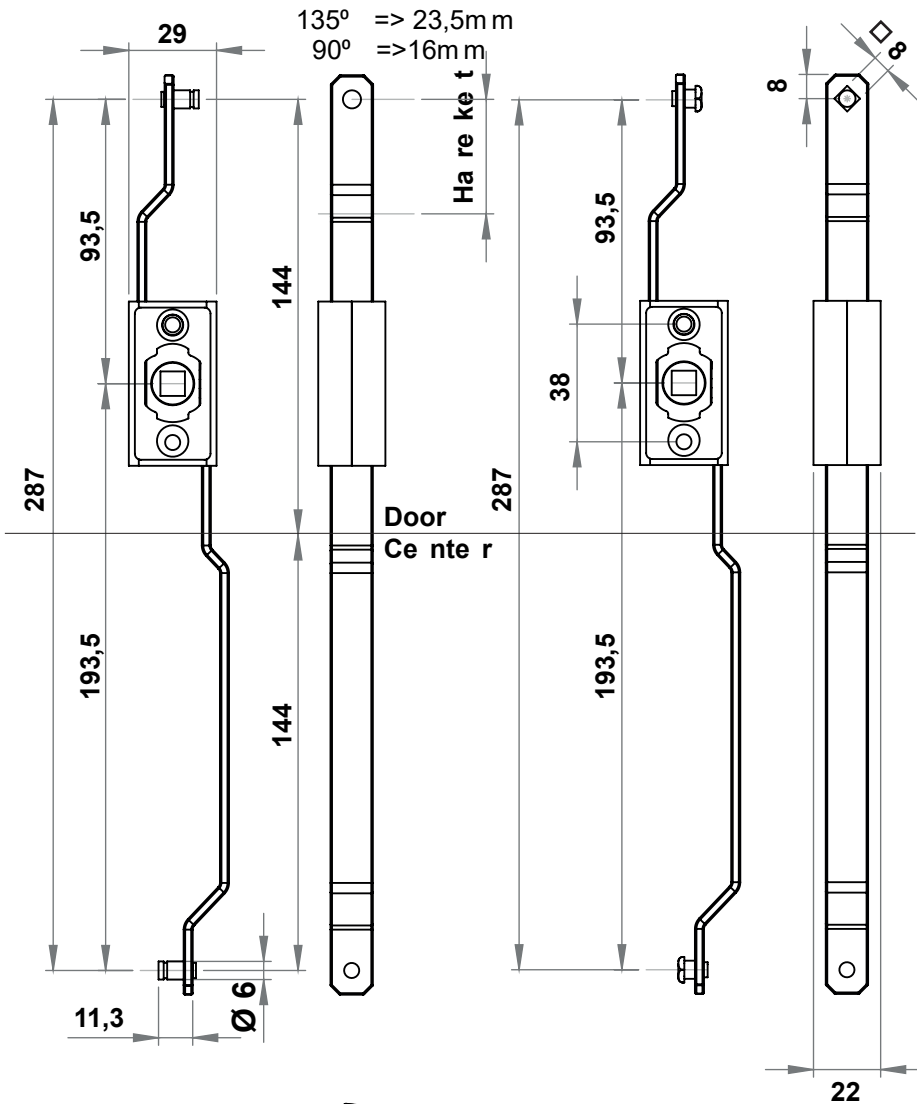
8601 - 125mm Mechanism

	Plastic Housing		Zinc die Housing	
	MK	Item Number	MK	Item Number
With Pin and Circlip	644	8644 - 000	634	8634 - 000
With Square Pins	647	8647 - 000	637	8637 - 000
Bended	646	8646 - 000	636	8636 - 000

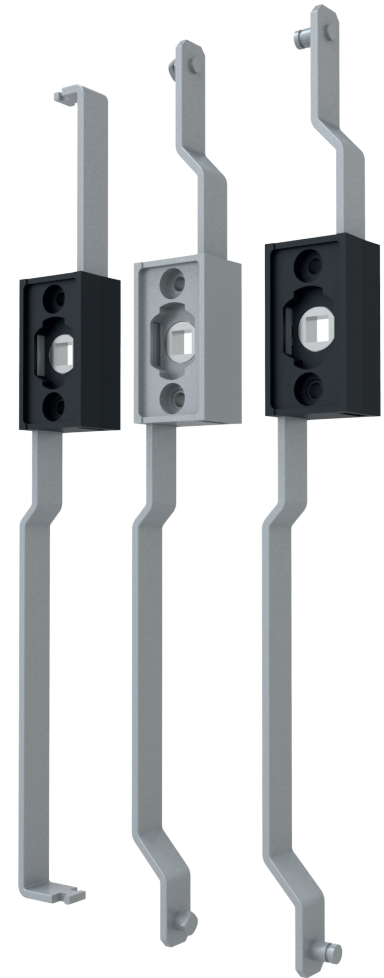
LH/RH Ro HS

Wi th Pi n a nd Ci rc li p

Wi th Squa re Pi ns



Wi th Pi n a nd Ci rc li p



Rod Latch Systems

MATERIAL

Housi ng : Pol yamide (P A6 GFR 30), bl ack / Z inc die

Rod s : S teel , zinc pl ated

Pi ns : S teel , zinc pl ated / Z inc die

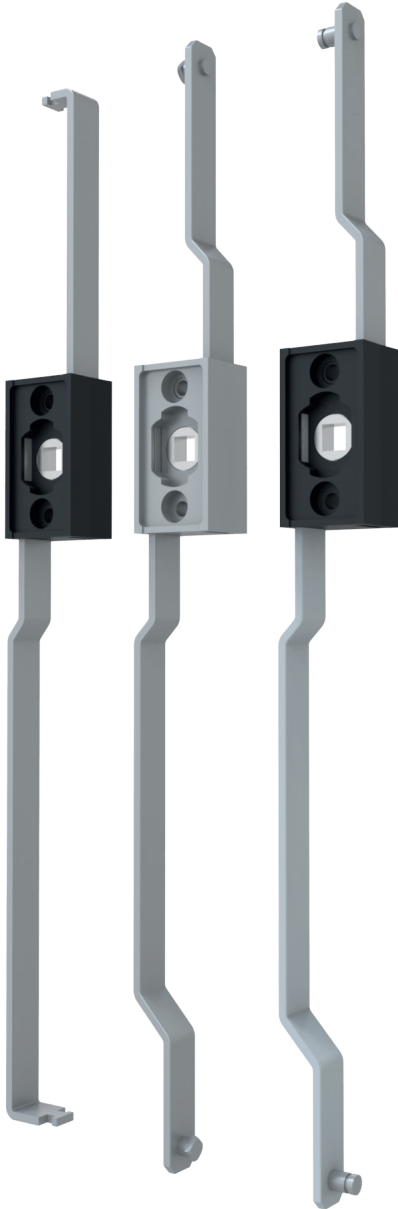
OPTIONS

S tainl ess S teel version is avail abl e in pin and ci rc li p versions.

8201 - 287mm Mec ha ni sm

	Pla sti c Housi ng		Z i nc di e Housi ng	
	MK	Ite m Numb e r	MK	Ite m Numb e r
With P in and Ci rc li p	244	8244 - 000	234	8234 - 000
With S qua re P ins	247	8247 - 000	237	8237 - 000
Bended	246	8246 - 000	236	8236 - 000

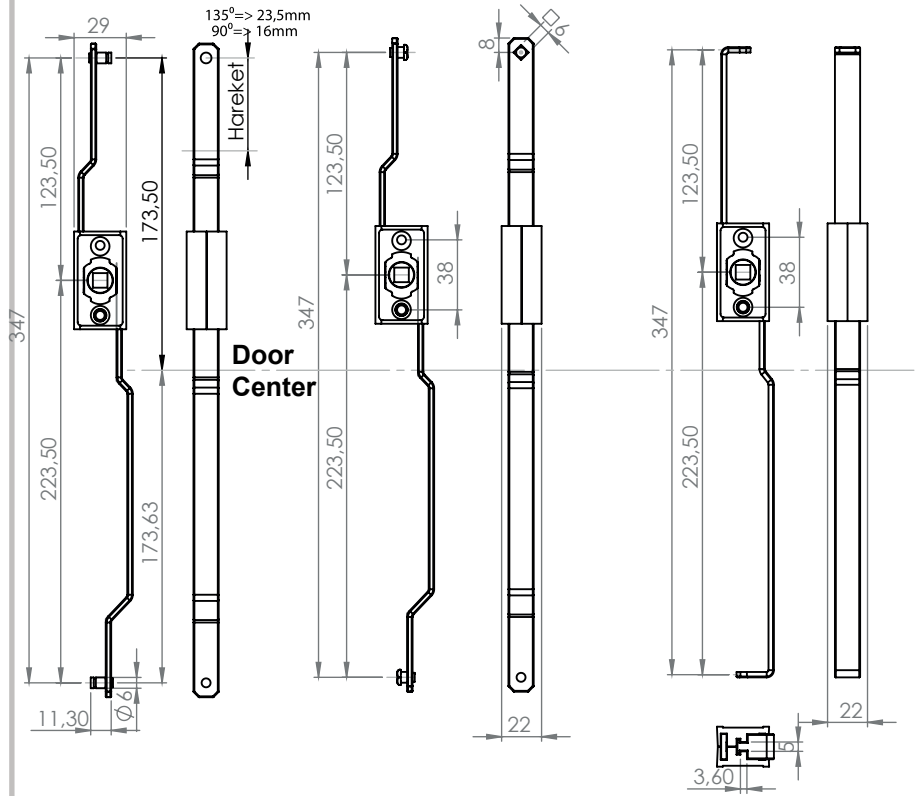
LH/RH | RoHS



With Pin and Circlip

With Square Pins

Bended



MATERIAL

Housing: Polyamide (PA6 GFR30), black / Zinc die

Rods : Steel, zinc plated

Pins : Steel, zinc plated

OPTIONS

Stainless Steel version is available in pin and circlip versions.

With Pin and Circlip

With Square Pins

Bended

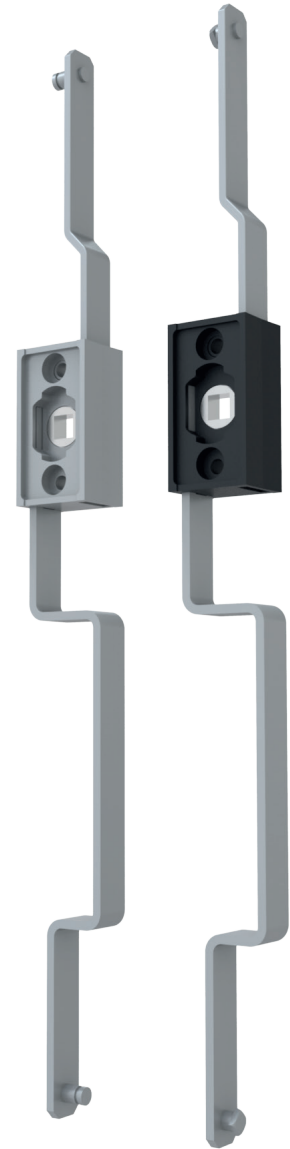
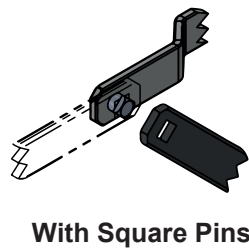
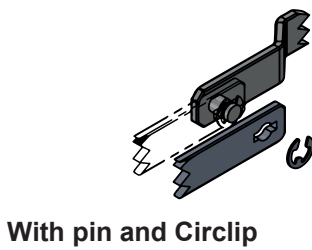
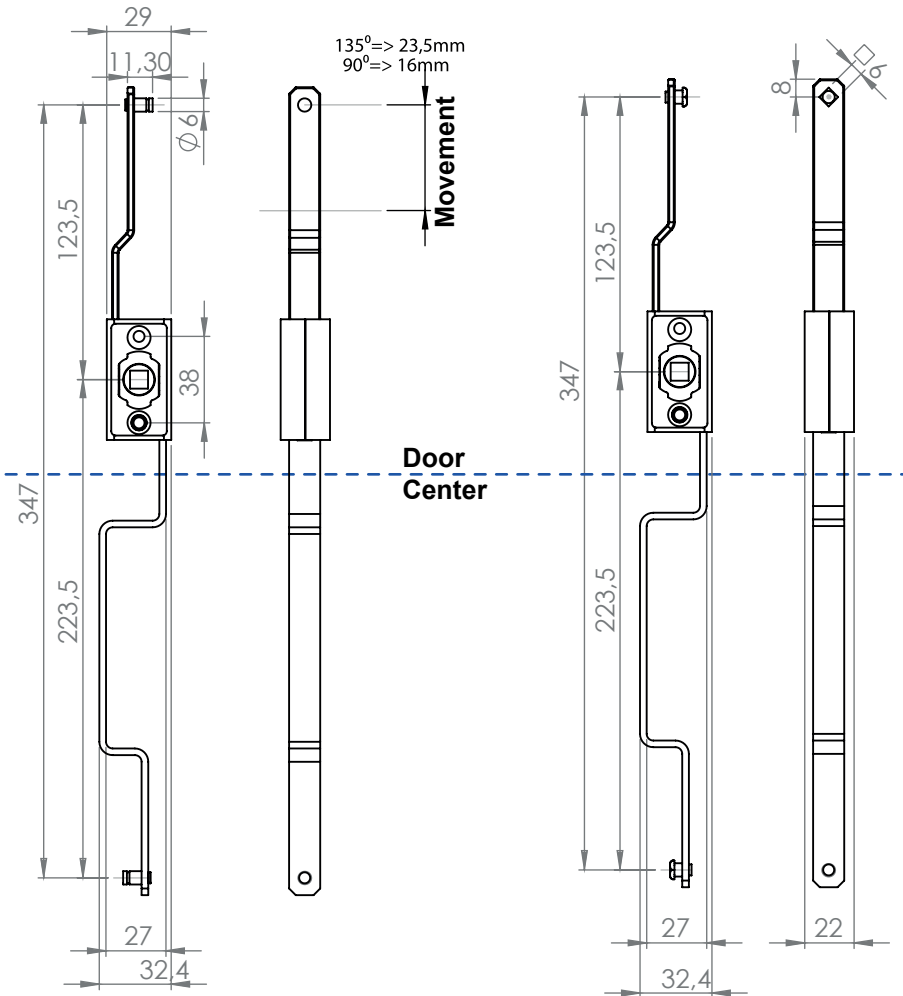
8101 - 347mm Mechanism

	Plastic Housing		Zinc die Housing	
	MK	Item Number	MK	Item Number
With Pin and Circlip	144	8144 - 000	134	8134 - 000
With Square Pins	147	8147 - 000	137	8137 - 000
Bended	146	8146 - 000	136	8136 - 000

LH/RH RoHS

With Pin and Circlip

With Square Pins



Rod Latch Systems

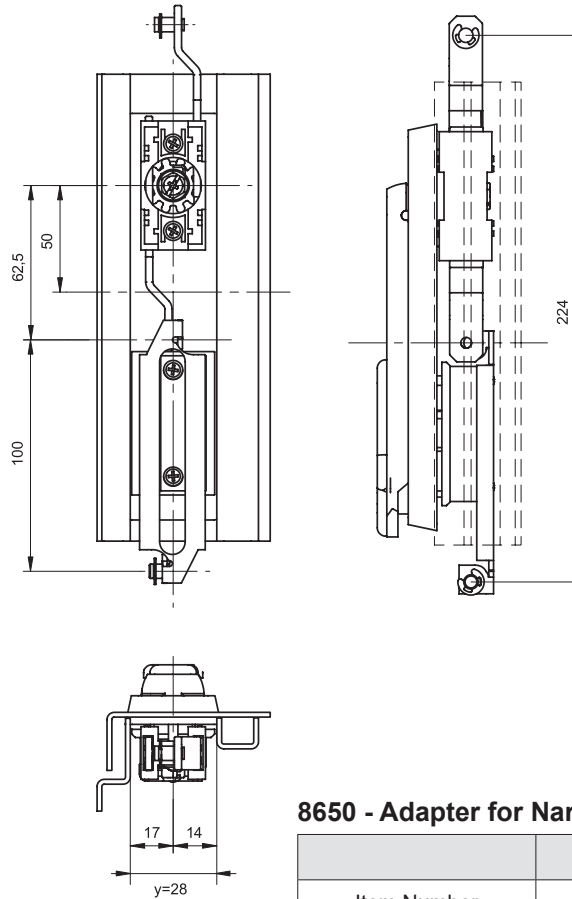
MATERIAL

- Housing:** Polyamide (PA6 GFR30), black / Zinc die
- Rods** : Steel, zinc plated
- Pins** : Steel, zinc plated

8700 - 347mm Mechanism

	Plastic Housing		Zinc die Housing	
	MK	Item Number	MK	Item Number
With Pin and Circlip	744	8744 - 000	734	8734 - 000
With Square Pins	747	8747 - 000	737	8737 - 000

8650
Adapter for Narrow Spaces



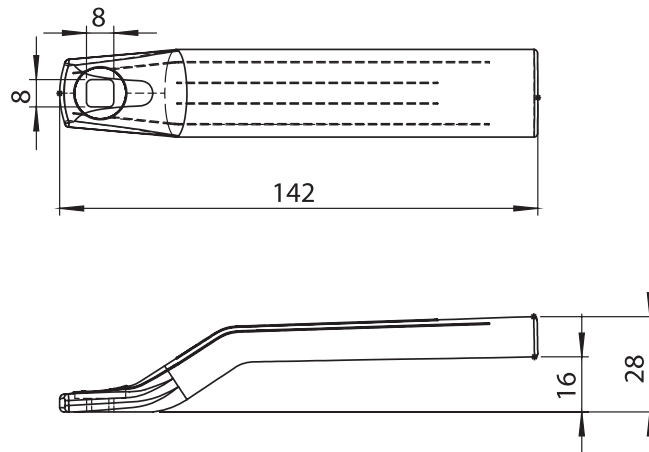
8650 - Adapter for Narrow Spaces

Item Number	8650-001
-------------	----------

MATERIAL

Steel, Zinc plated

8660
Inside Handle for Safety



8660 - Inside Handle for Safety

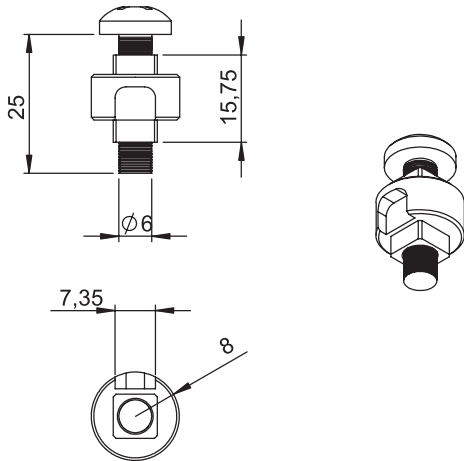
Item Number	8660 - 001
-------------	------------

MATERIAL

Polyamide (PA6 GFR30), black

2900 - Cam Adapter

Açı	Swinghandle Model	Adapter Code
90	2208 / 2210 / 2301	2900 - 102
90	2105 / 2201 / 2202 / 2203 / 2213 / 2303	2900 - 103
180	2208 / 2210 / 2301	2900 - 101
180	2105 / 2201 / 2202 / 2203 / 2213 / 2303	2900 - 100



2900 - Mechanism Cam Adapter

Item Number	2900-300
Item Number	2900-300

2900
Cam Adapter

MATERIAL

Plastic Adapter : Polyamide (PA6 GFR30),
black

Steel Cam Adapter: Zinc die

2900
Mechanism Cam Adapter

MATERIAL :

Zinc die

A large grid of graph paper for taking notes, consisting of 20 columns and 30 rows of small squares.

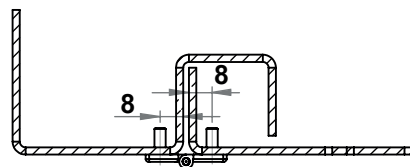
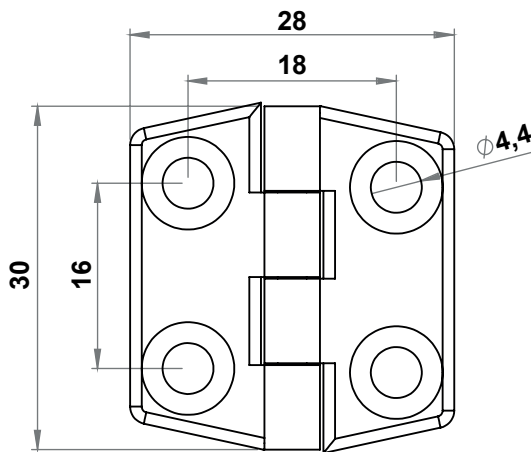
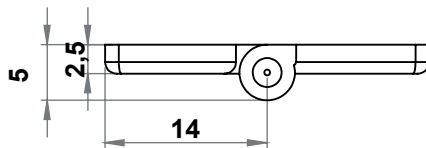
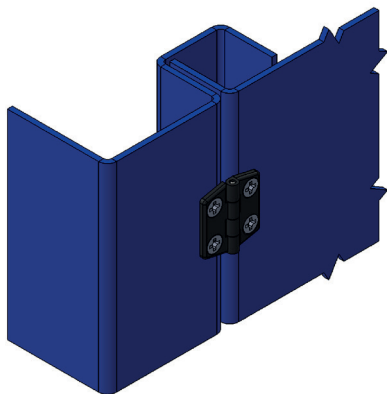
HINGES FOR FLAT DOORS



MATERIAL

Housing : Zinc die, chrome plated/ black coated or raw

Pin : Steel, zinc plated

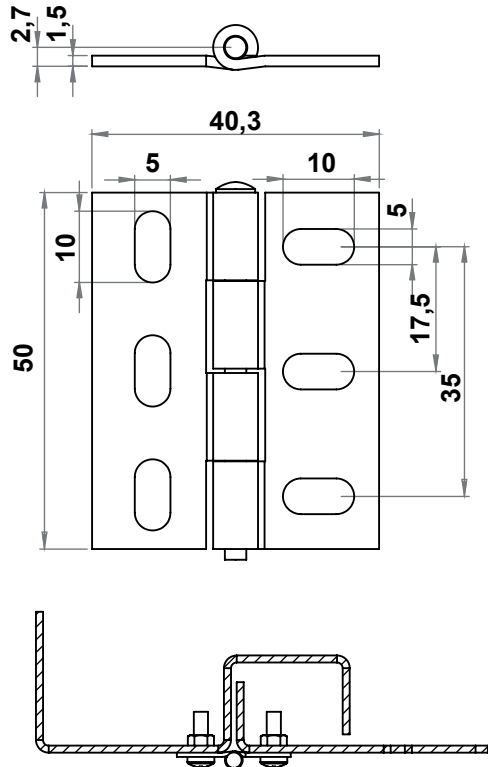


3070 - 180° Hinge

	Zinc die Raw	Zinc die Black coated	Zinc die Chrome Plated
Item Number	3070 - 200	3070 - 210	3070 - 220



3902 - 180° Hinge



Item Number	3902 - 500
-------------	------------



MATERIAL

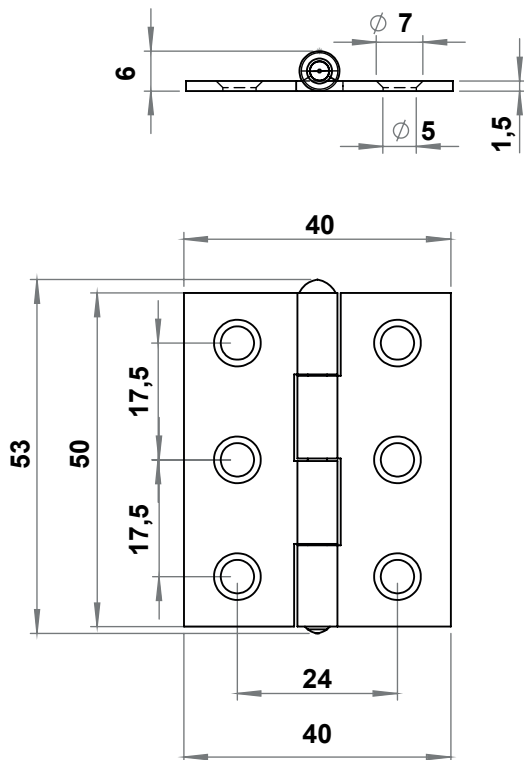
Housing : Stainless steel, AISI 304, shiny

Pin : Stainless steel, AISI 304

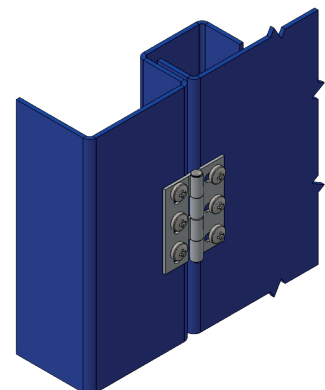
Note : Pin is riveted.

Hinges for Flat Doors

3903 - 180° Hinge



Item Number	3903 - 500
-------------	------------



RoHS



LH/RH

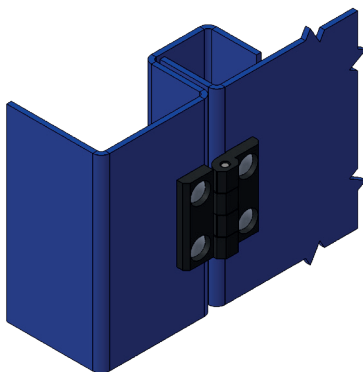
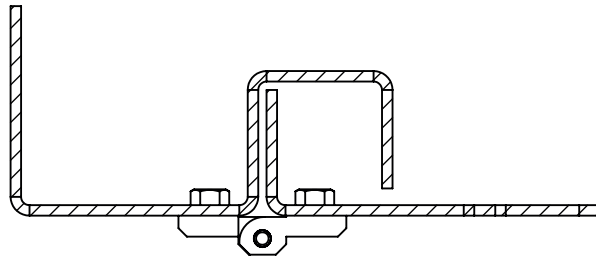
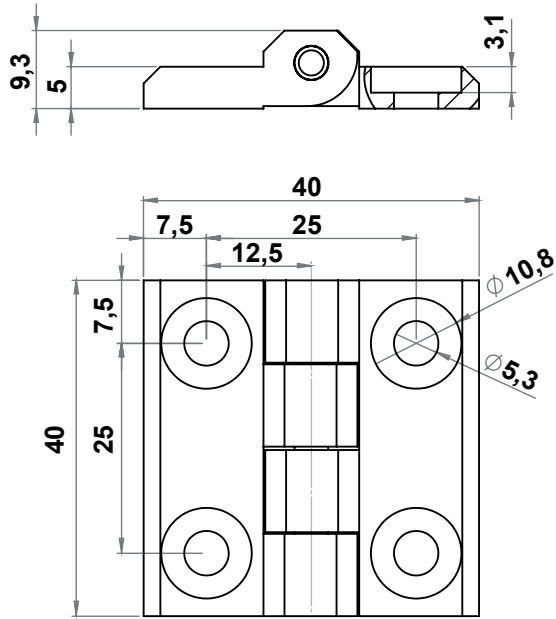


Hinges for Flat Doors

MATERIAL

Housing : Zinc die, chrome plated or black coated
or raw

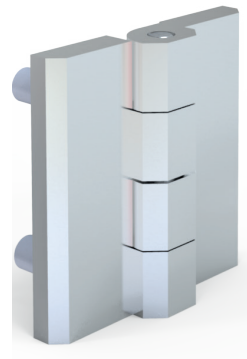
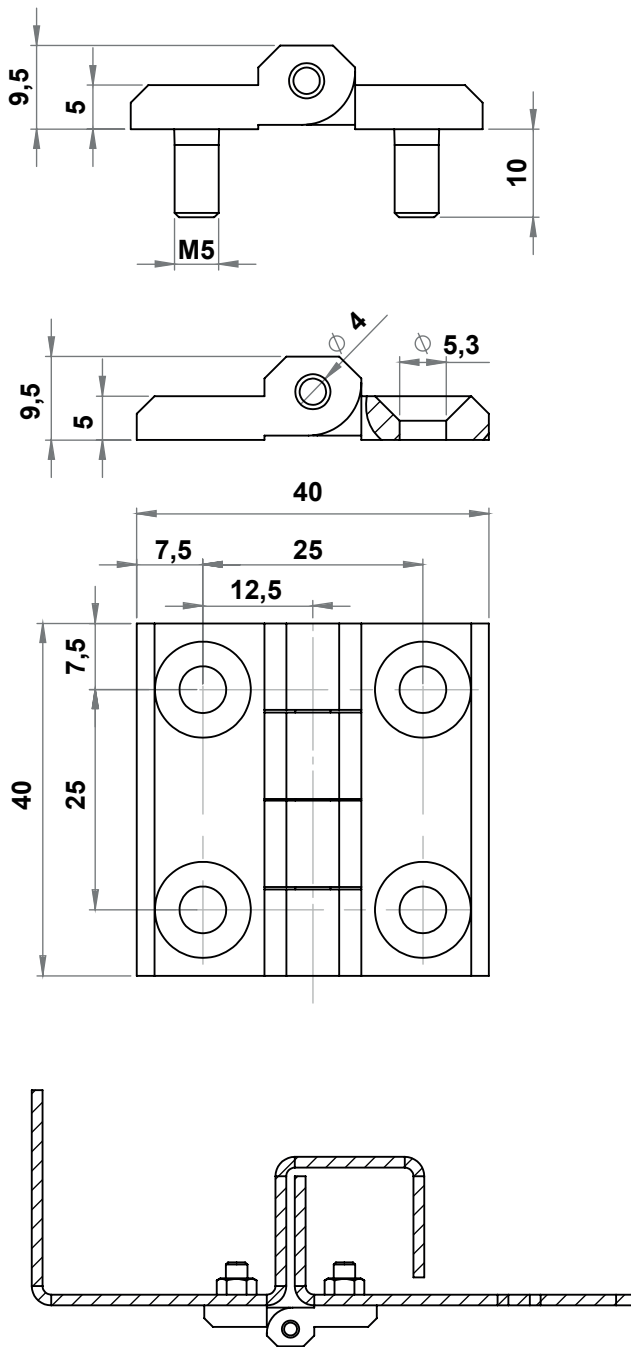
Pin : Stainless steel, AISI 304



3801 - 180° Hinge 40x40

	Zinc die, Raw	Zinc die, Black coated	Zinc die, Chrome Plated
Holes	3801 - 200	3801 - 210	3801 - 220





Hinges for Flat Doors

MATERIAL

Housing : Polyamide (PA6 GFR30), Black /
Zinc die, chrome plated or black coated

Pin : Stainless steel AISI 304

Studs : Steel / Stainless steel AISI 304

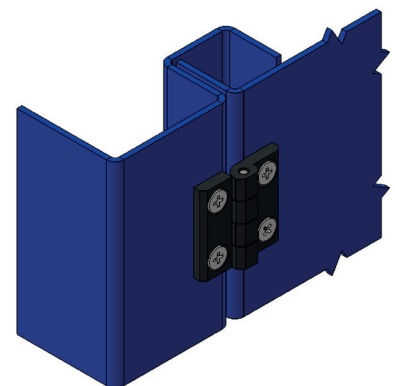
* Stainless steel version is available

3001 - 180° Hinge 40x40

	PA, Black	Zinc die, Raw	Zinc die, Black coated	Zinc die, Chrome Plated
Holes	3009 - 100	3001 - 200	3001 - 210	3001 - 220
With Studs	-	3001 - 201	3001 - 211	3001 - 221
One side with holes, one side with studs	-	3001 - 205	3001 - 215	3001 - 225

The SS mark after the code means that the studs are stainless steel.

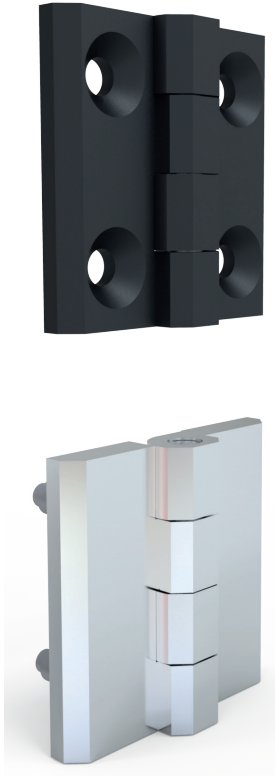
Example: 3011-211SS



RoHS



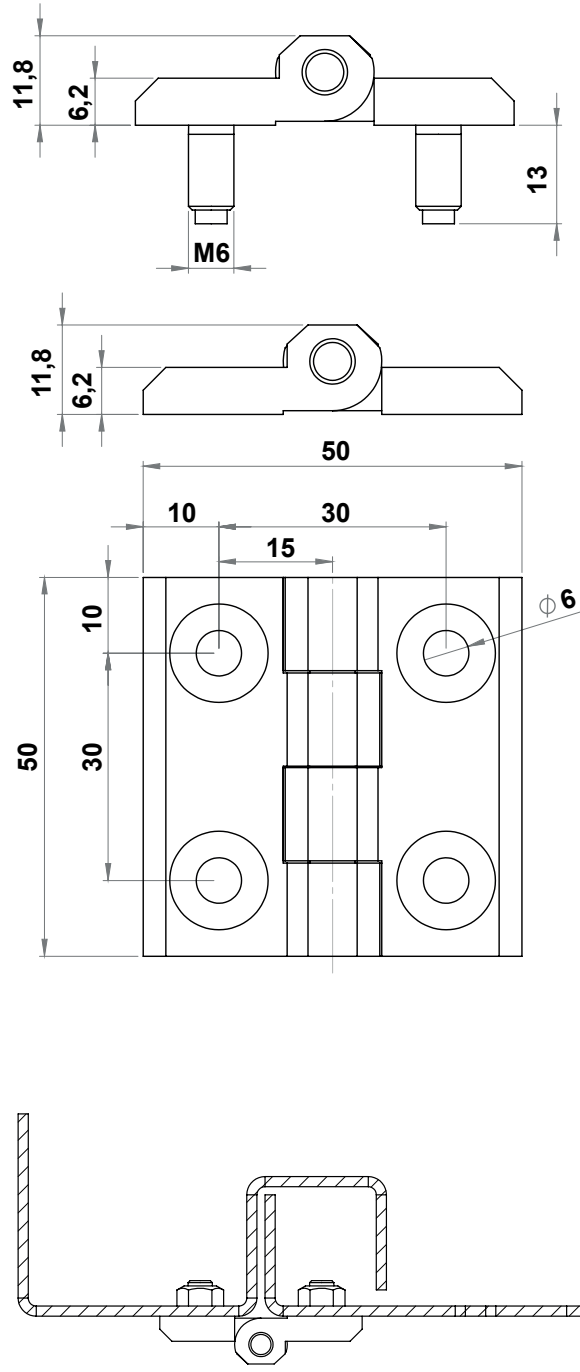
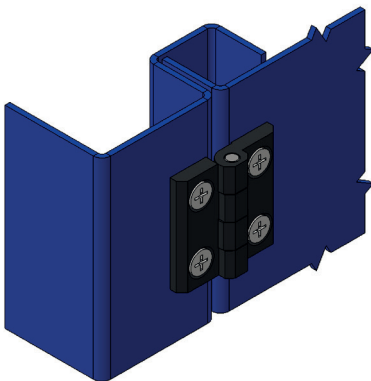
LH/RH



MATERIAL

- Housing** : Polyamide (PA6 GFR30), Black / Zinc die, chrome plated or black coated
- Pin** : AISI 304 Stainless steel
- Studs** : Steel, AISI 304 Stainless steel

* Stainless steel version is available

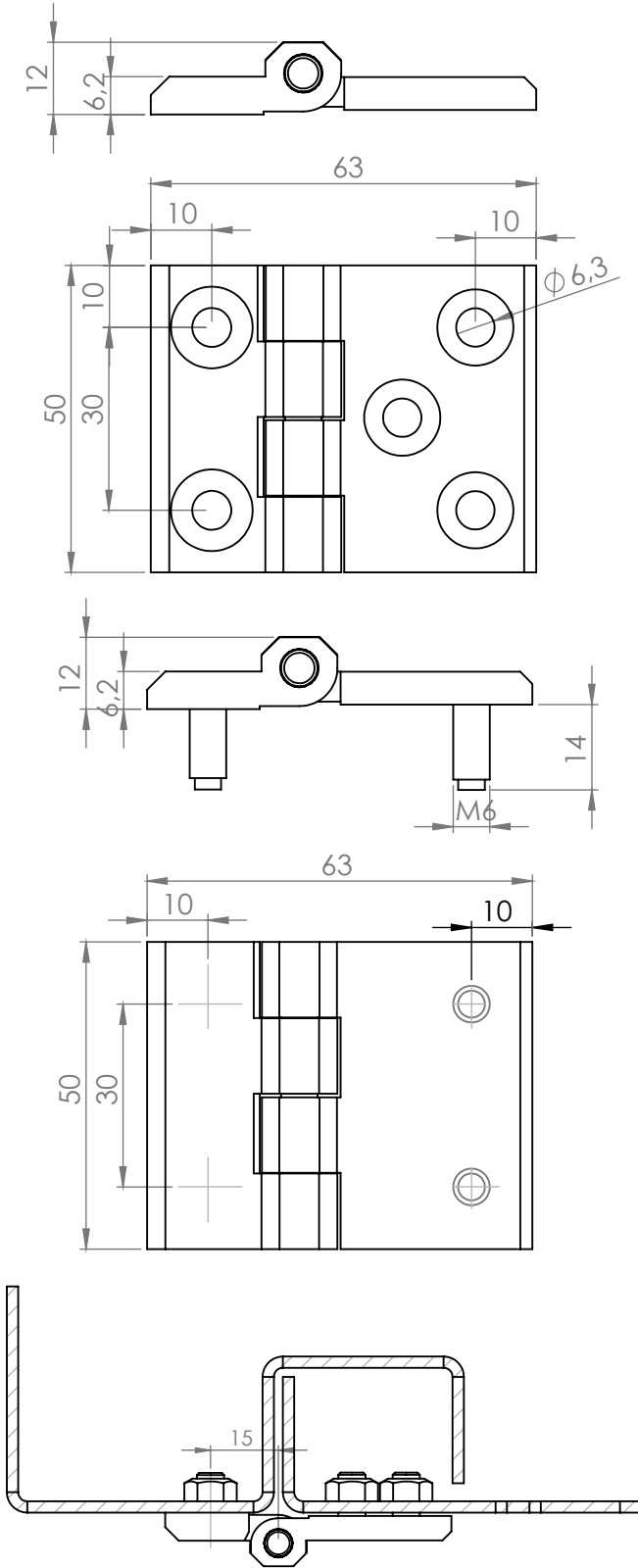


3011 - 180° Hinge 50x50

	Plastic (PA), Black	Zinc die, Raw	Zinc die, Black coated	Zinc die, Chrome Plated	AISI 316 Stainless steel
Holes	3012 - 100	3011 - 200	3011 - 210	3011 - 220	3011 - 500
With Studs	-	3011 - 201	3011 - 211	3011 - 221	3011 - 501
One side with holes, one side with studs	-	3011 - 205	3011 - 215	3011 - 225	

The SS mark after the code means that the studs are stainless steel.
Example: 3011-211SS





3081 - 180° Hinge 50x63

	Zinc die, Raw	Zinc die, Black coated	Zinc die, Chrome Plated
Geniş parça 2 Holes	3081 - 200	3081 - 210	3081 - 220
Geniş parça 3 Holes	3181 - 200	3181 - 210	3181 - 220
With 4 Studs	3081 - 201	3081 - 211	3081 - 221

The SS mark after the code means that the studs are stainless steel.



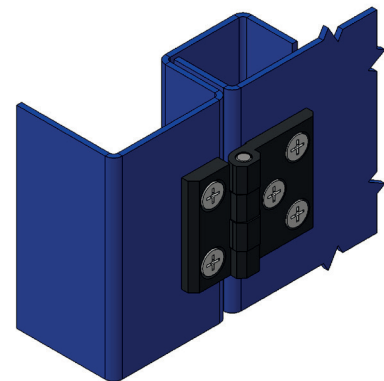
Hinges for Flat Doors

MATERIAL

Housing: Zinc die, chrome plated or black coated

Pin : AISI 304 Stainless steel

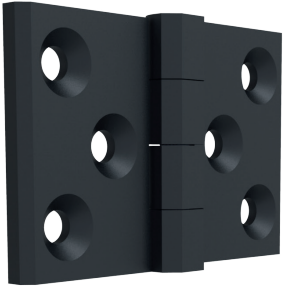
* Stainless steel version is available



RoHS



LH/RH

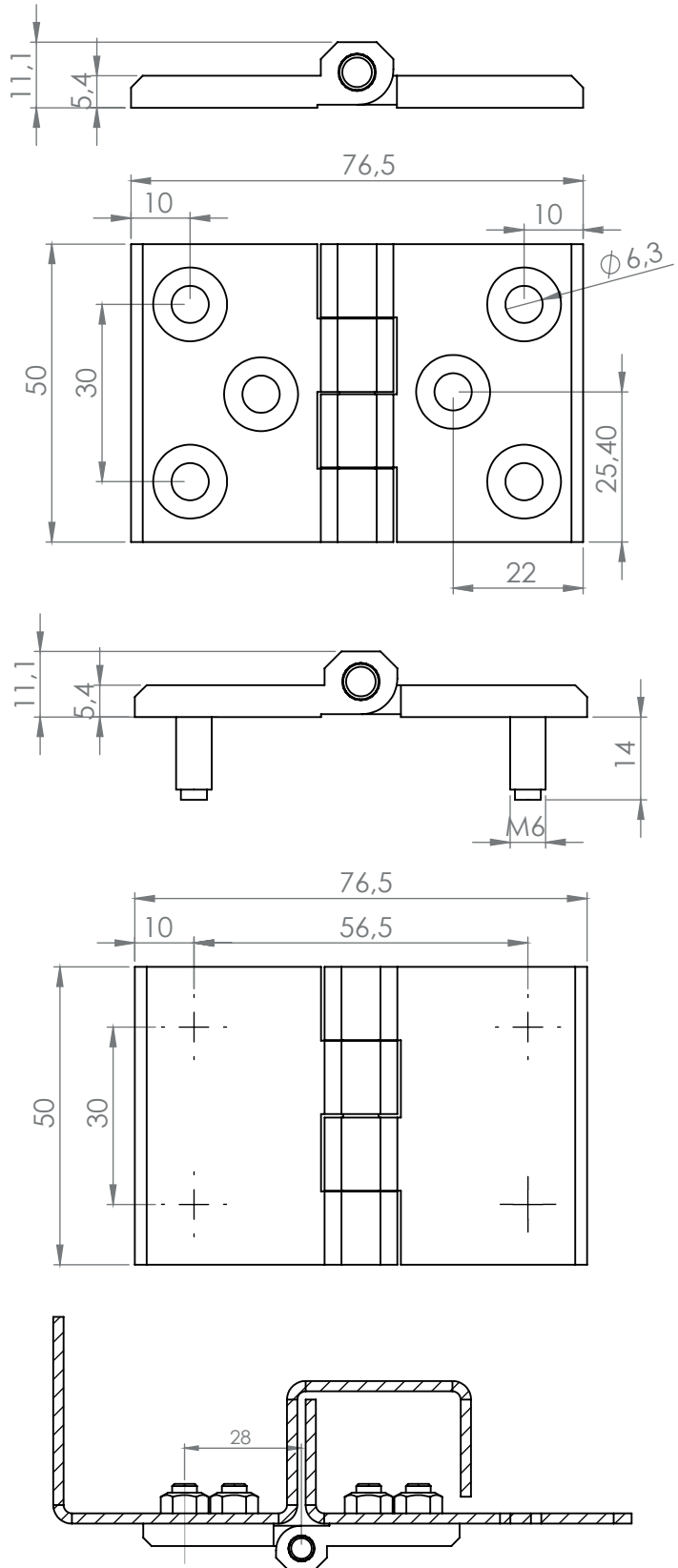
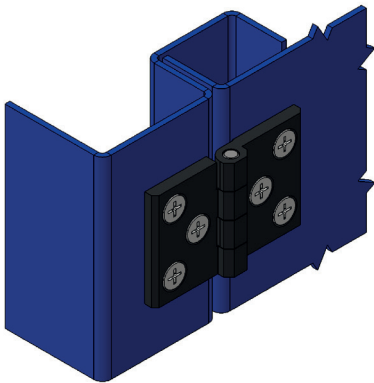


MATERIAL

Housing: Zinc die, chrome plated or black coated

Pin : AISI 304 Stainless steel

* Stainless steel versions are available



3080 - 180° Hinge

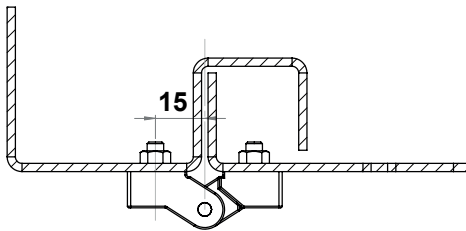
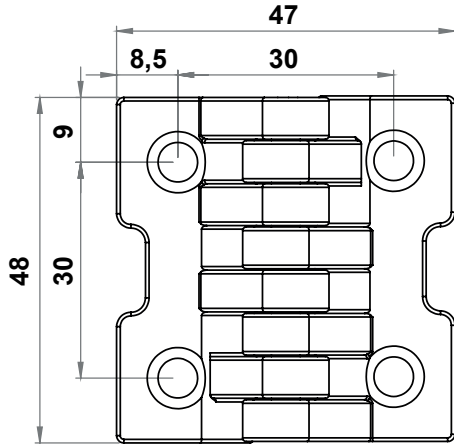
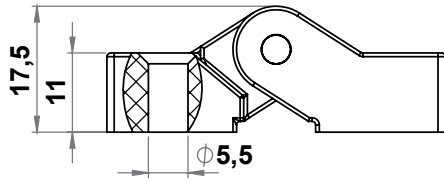
	Zinc die, Raw	Zinc die Black coated	Zinc die Chrome Plated	AISI 316 Stainless steel
4 Holes	3080 - 200	3080 - 210	3080 - 220	3080 - 500
6 Holes	3180 - 200	3180 - 210	3180 - 220	
With 4 Studs	3080 - 201	3080 - 211	3080 - 221	3080 - 501

The SS mark after the code means that the studs are stainless steel.
Example: 3011-211SS



LH/RH

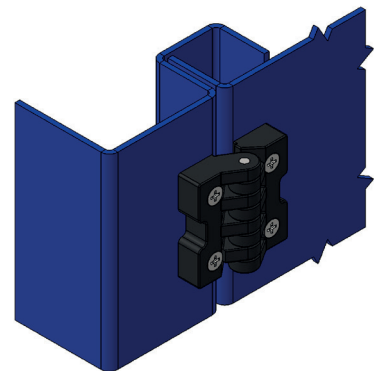
RoHS



Hinges for Flat Doors

MATERIAL

Housing: Polyamide (PA6 GFR30), Black
Pin : Steel, zinc plated



3017 - 180° Hinge

Item Number	3017 - 100
-------------	------------

RoHS



LH/RH



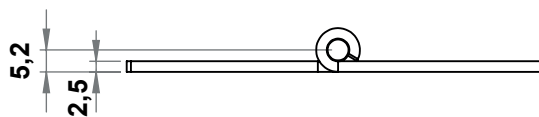
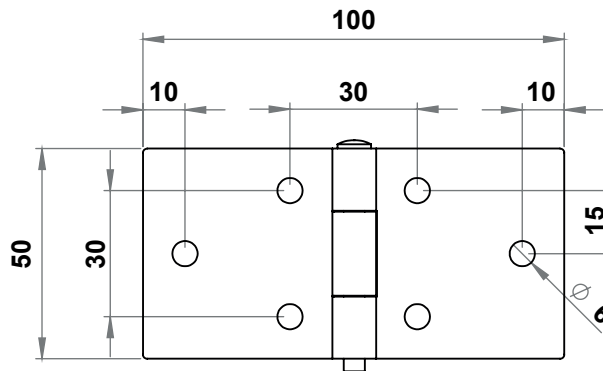
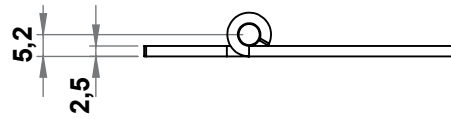
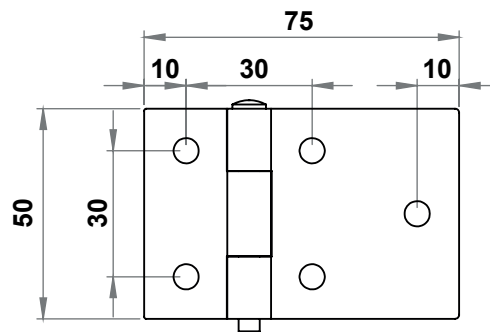
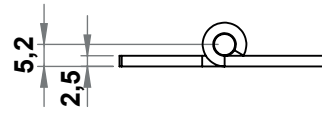
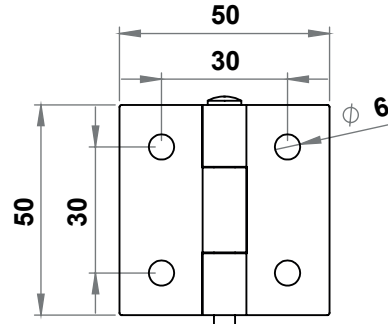
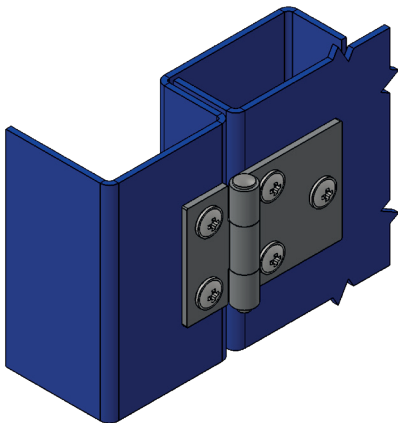
MATERIAL

Housing : Steel, black coated

Pin : Stainless steel, AISI 303

Stainless steel versions are available

Note : Pin is riveted.



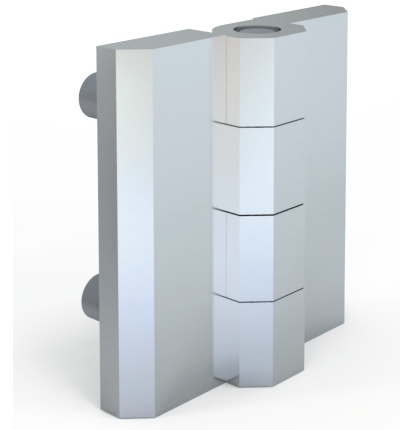
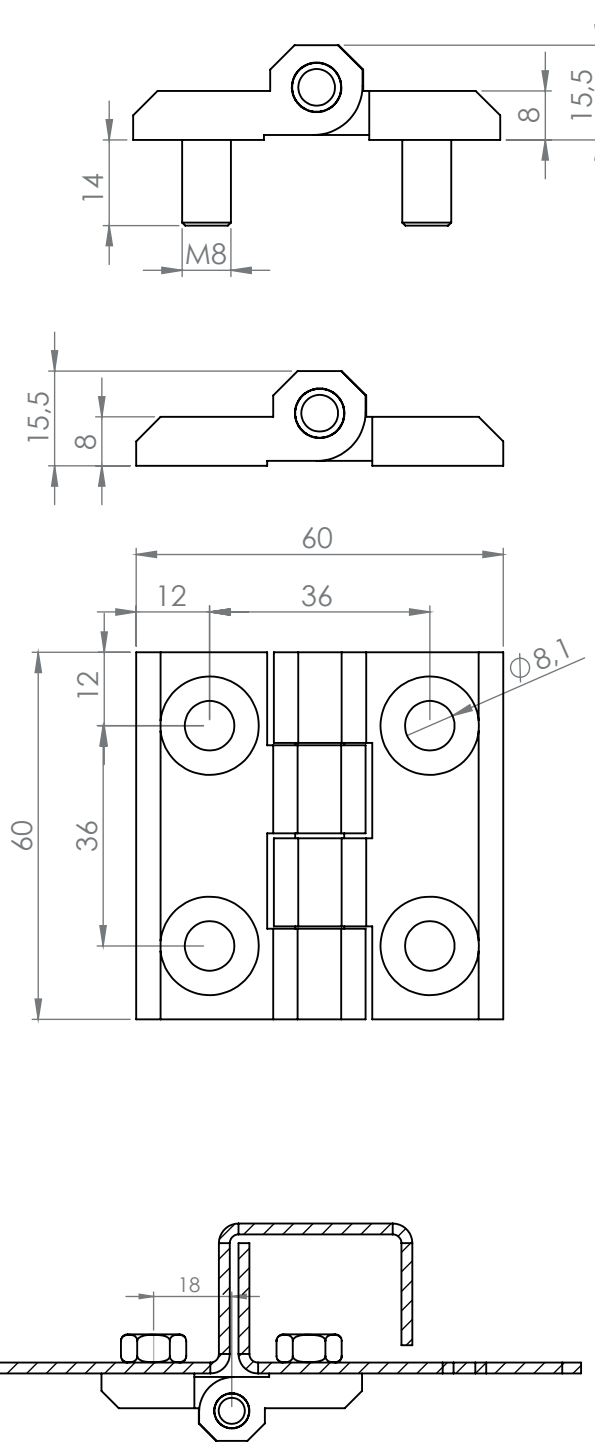
3012 - 180° Hinge

	Steel Zinc plated	AISI 304 Stainless steel
50 mm x 50 mm	3012 - 310	3012 - 500
50 mm x 75 mm	3065 - 310	3065 - 310
50 mm x 100 mm	3066 - 310	3066 - 310



LH/RH

RoHS



Hinges for Flat Doors

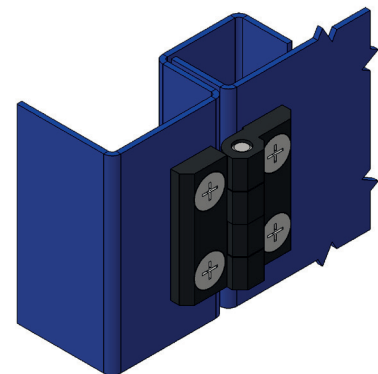
MATERIAL

Housing : Polyamide (PA6 GFR30), Black/
Zinc die, chrome plated or black coated

Pin : Steel / AISI 304 Stainless steel

Studs : Steel / AISI 304 Stainless steel

* Stainless steel versions are available



3013 - 180° Hinge

	PA, Black	Zinc die, Raw	Zinc die, Black coated	Zinc die, Chrome Plated	AISI 316 Stainless steel
Holes	3013 - 100	3013 - 200	3013 - 210	3013 - 220	3013 - 500
With Studs	-	3013 - 201	3013 - 211	3013 - 221	3013 - 501
One side with holes, one side with studs	-	3013 - 205	3013 - 215	3013 - 225	-

The S mark after the code means that the pin is stainless steel, the SS mark after the code means the pin and the studs are stainless steel

RoHS



LH/RH

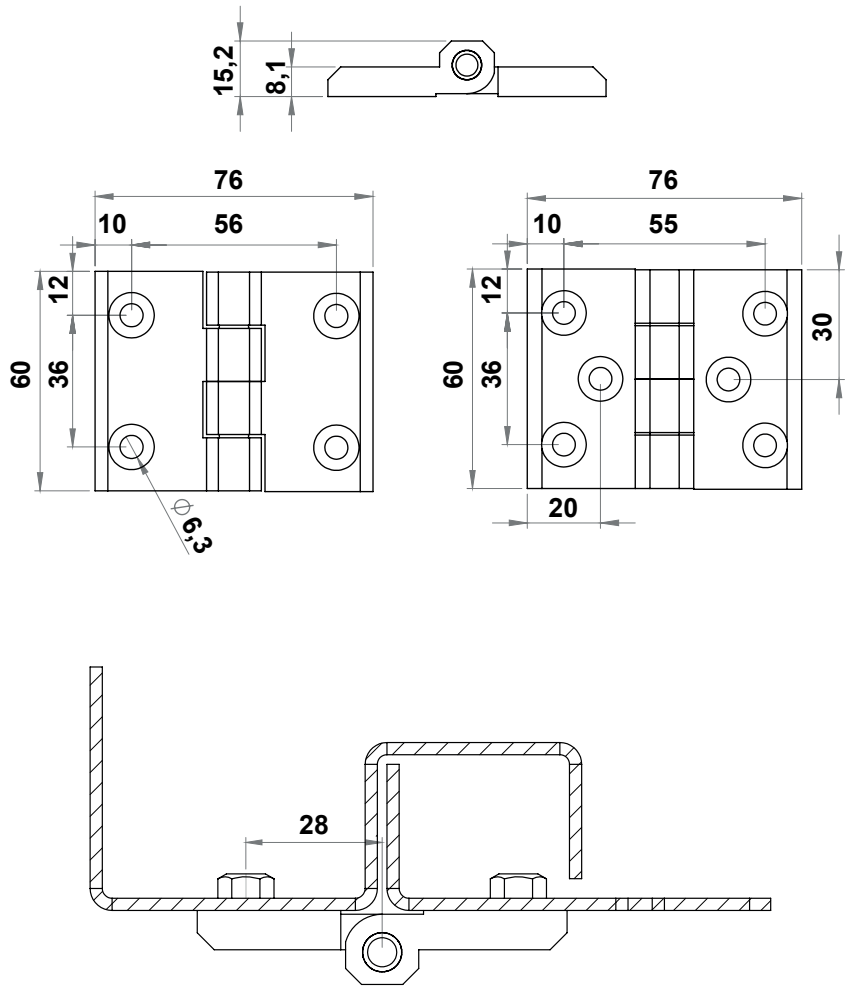
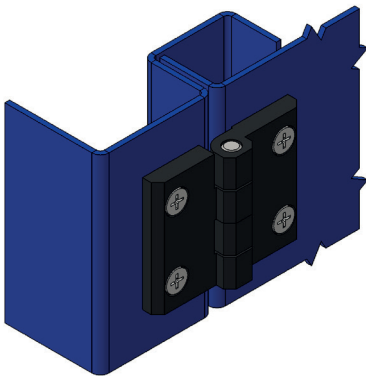


MATERIAL

Housing: Zinc die, chrome plated or black coated

Pin : Steel / AISI 304 Stainless steel

* Stainless steel version is available



3015 - 180° Hinge

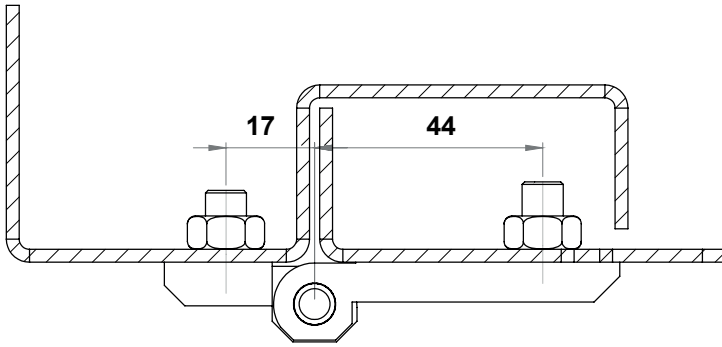
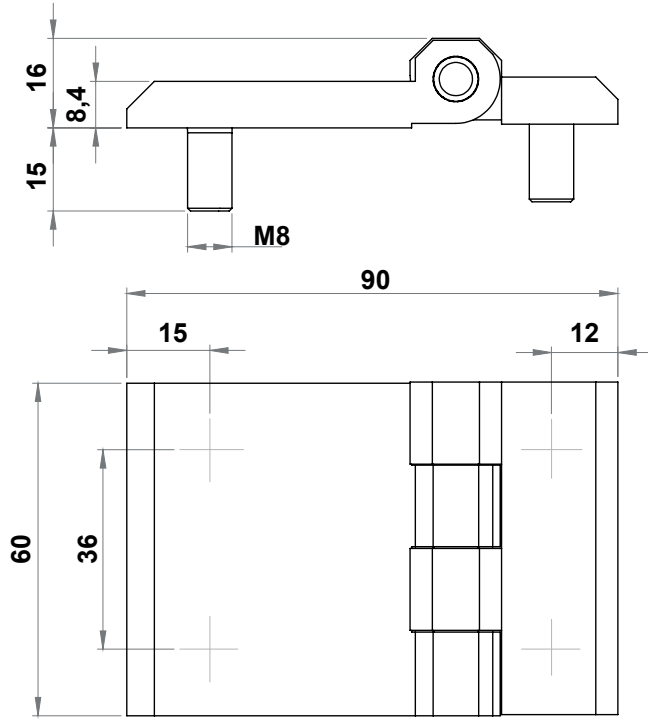
	Zinc die Raw	Zinc die Black coated	Zinc die Chrome Plated
4 Holes	3015 - 200	3015 - 210	3015 - 220
6 Holes	3016 - 200	3016 - 210	3016 - 220

The S mark after the code means that the pin is stainless steel, the SS mark after the code means the pin and the studs are stainless steel



LH/RH

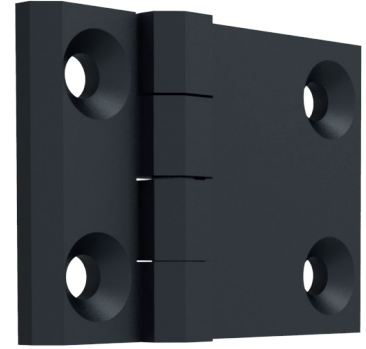
RoHS



3014 - 180° Hinge

	Raw	Black coated	Chrome Plated	AISI 316 Stainless steel
With Studs	3014 - 201	3014 - 211	3014 - 221	3014 - 501
Kısa taraflı Holes, uzun taraflı With Studs	3083 - 201	3083 - 211	3083 - 221	3083 - 501

The S mark after the code means that the pin is stainless steel, the SS mark after the code means the pin and the studs are stainless steel



Hinges for Flat Doors

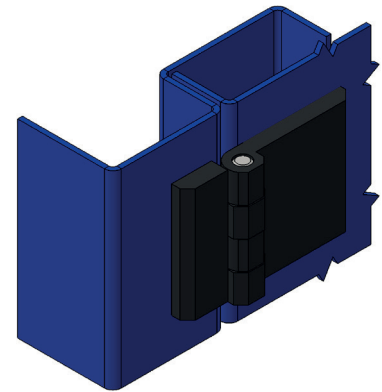
MATERIAL

Housing: Zinc die, chrome plated or black coated

Pin : Steel / AISI 304 Stainless steel

Studs : Steel / AISI 304 Stainless steel

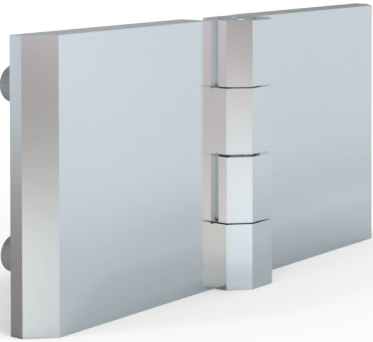
* Stainless steel version is available



RoHS

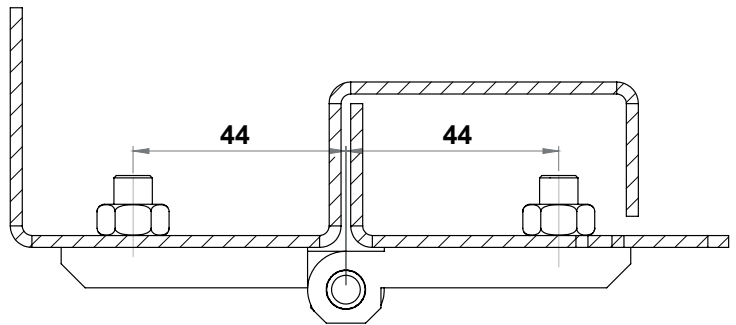
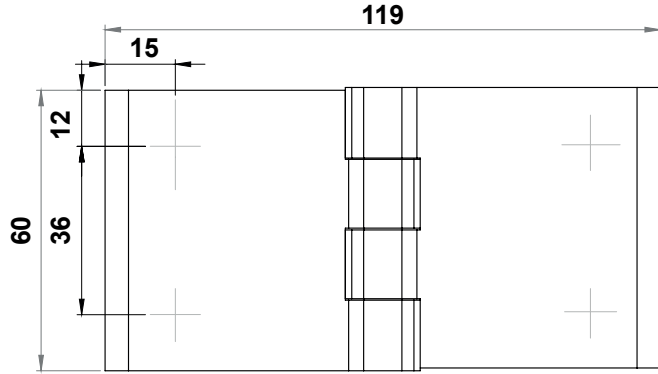
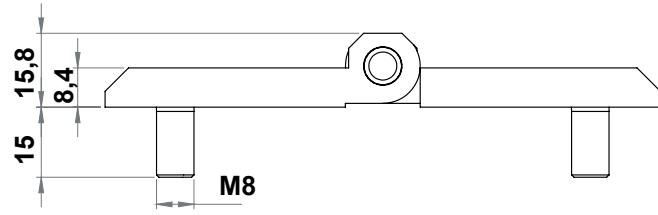
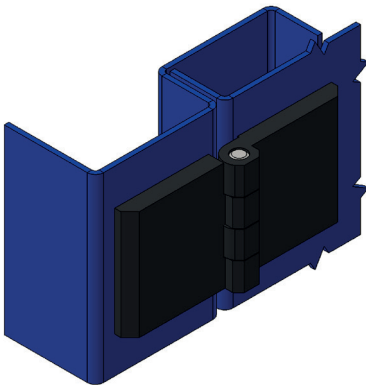


LH/RH



MATERIAL

- Housing** : Zinc die, chrome plated or black coated
- Pin** : Steel / Stainless steel AISI 304
- Studs** : Steel / Stainless steel AISI 304



3022 - 180° Hinge

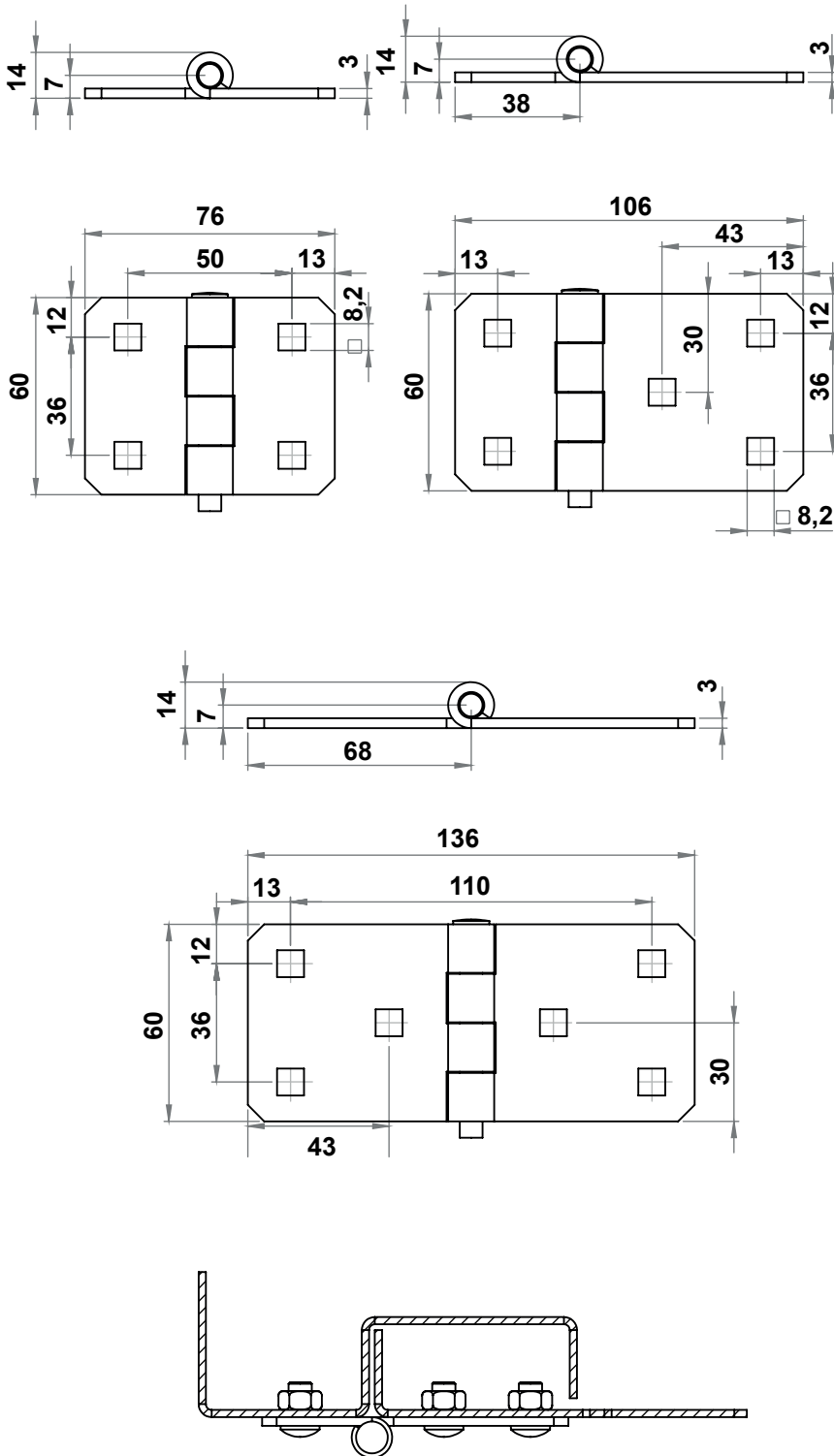
	Zinc die Raw	Zinc die Black coated	Zinc die Chrome Plated	AISI 316 Stainless steel
Item Number	3022 - 201	3022 - 211	3022 - 221	3022 - 501

The S mark after the code means that the pin is stainless steel, the SS mark after the code means the pin and the studs are stainless steel



LH/RH

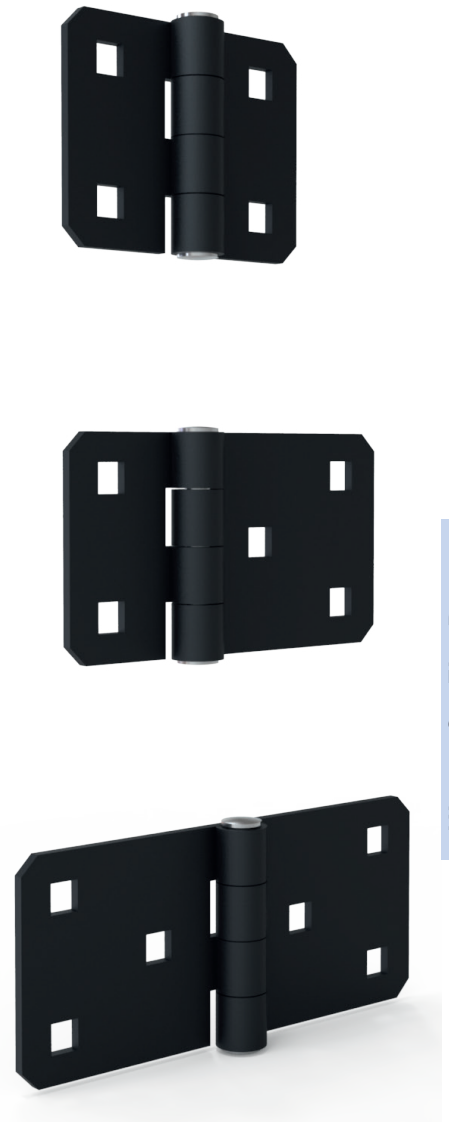
RoHS



3114, 3113, 3093 - 180° Hinge

	Steel, Black coated	Stainless steel Steel
60 x 76	3114 - 310	3114 - 500
60 x 106	3113 - 310	3113 - 500
60 x 136	3093 - 310	3114 - 500

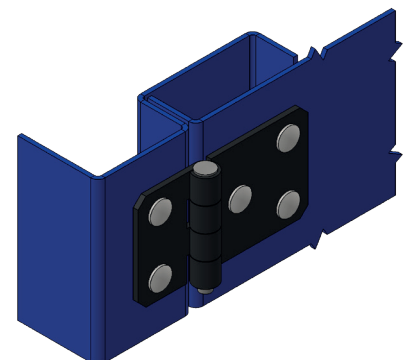
If you need the square head screws, please add-V to the end of the code.
Exp: 3113-310-V



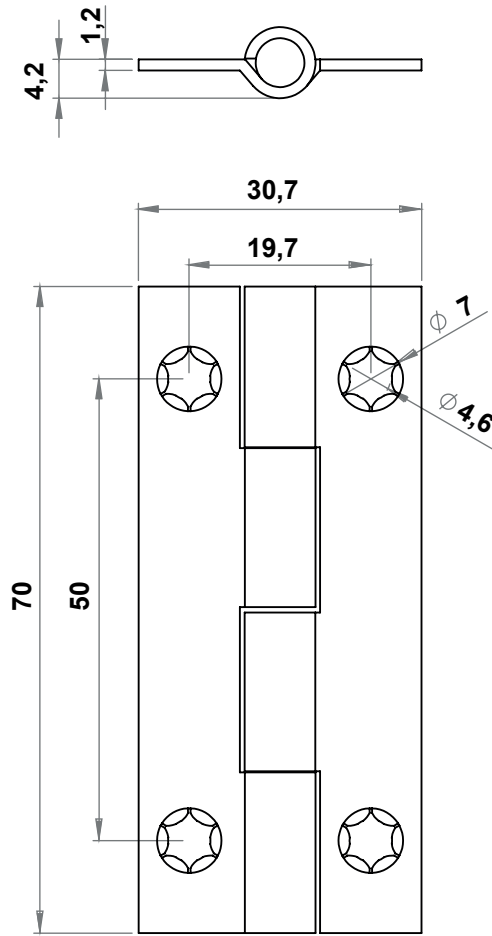
MATERIAL

Housing : Steel, black coated /
Stainless steel, AISI 304
Pin : Stainless steel, AISI 303

Note : Pin is riveted.

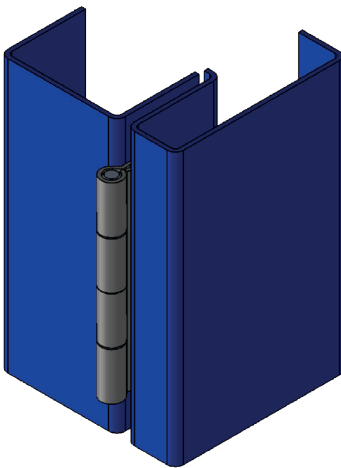


Hinges for Flat Doors



MATERIAL

Housing : Steel, zinc plated /
 AISI 304 Stainless steel
Pin : Stainless steel, AISI 303

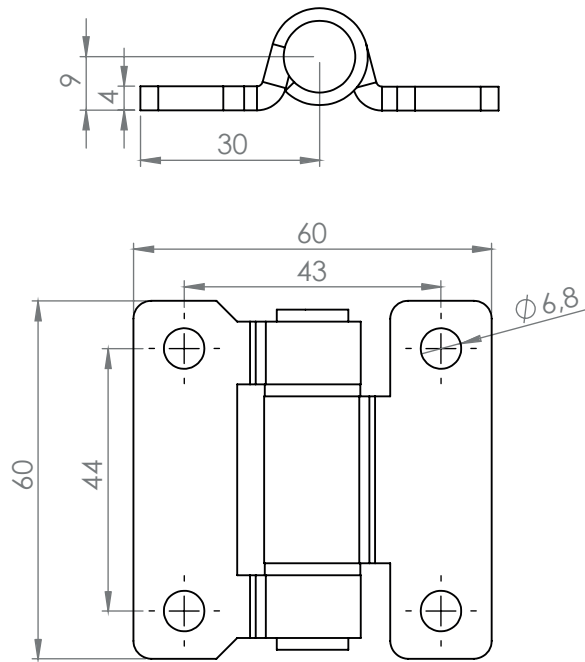


3121 - 180° Hinge

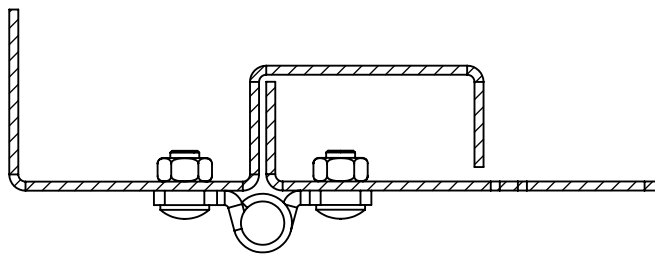
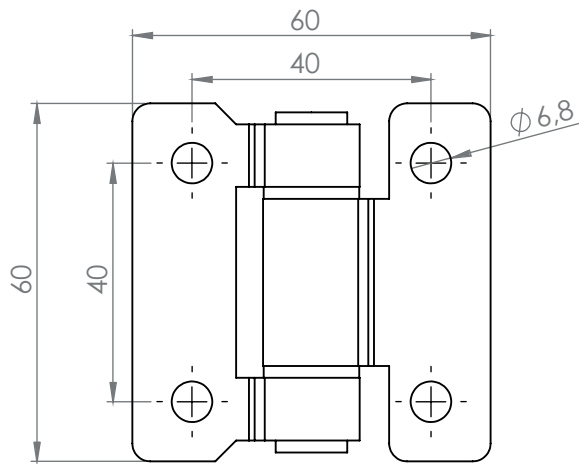
	Steel, Zinc plated	AISI 304 Stainless steel
Item Number	3121 - 310	3121 - 500



3101



3106

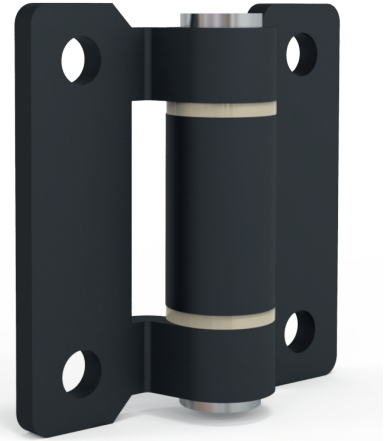


3101 - 180° Hinge

	Steel, Black coated	AISI 304 Stainless steel
Item Number	3101 - 310	3101 - 500

3106 - 180° Hinge

	Steel, Black coated	AISI 304 Stainless steel
Item Number	3106 - 310	3106 - 500



Hinges for Flat Doors

MATERIAL

Housing : Steel, black coated /
Stainless steel, AISI 304

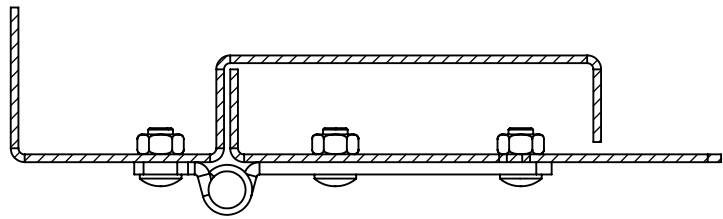
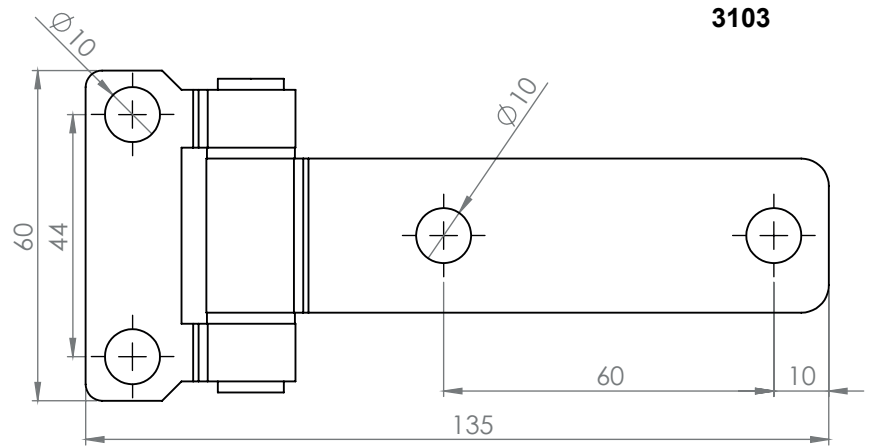
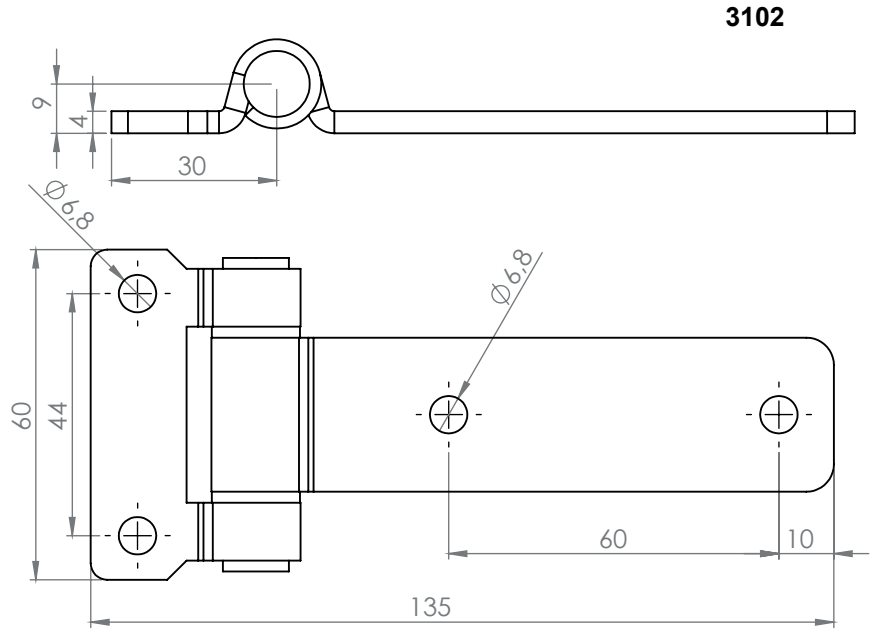
Pin : Stainless steel, AISI 303

Note : Pin is riveted.

RoHS

LH/RH





MATERIAL

Housing: Steel, black coated /
Stainless steel, AISI 304
Pin : Stainless steel, AISI 303

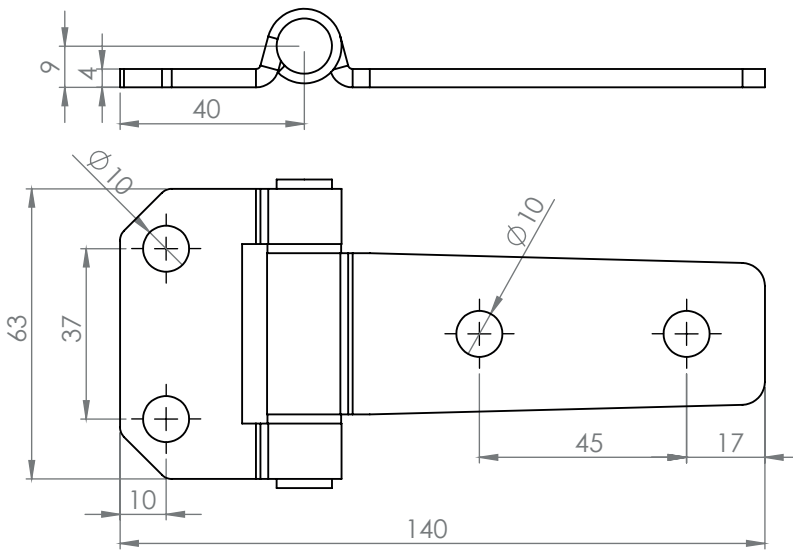
3102 - 180° Hinge

	Steel, Black coated	Stainless steel AISI 304
Item Number	3102 - 310	3102 - 500

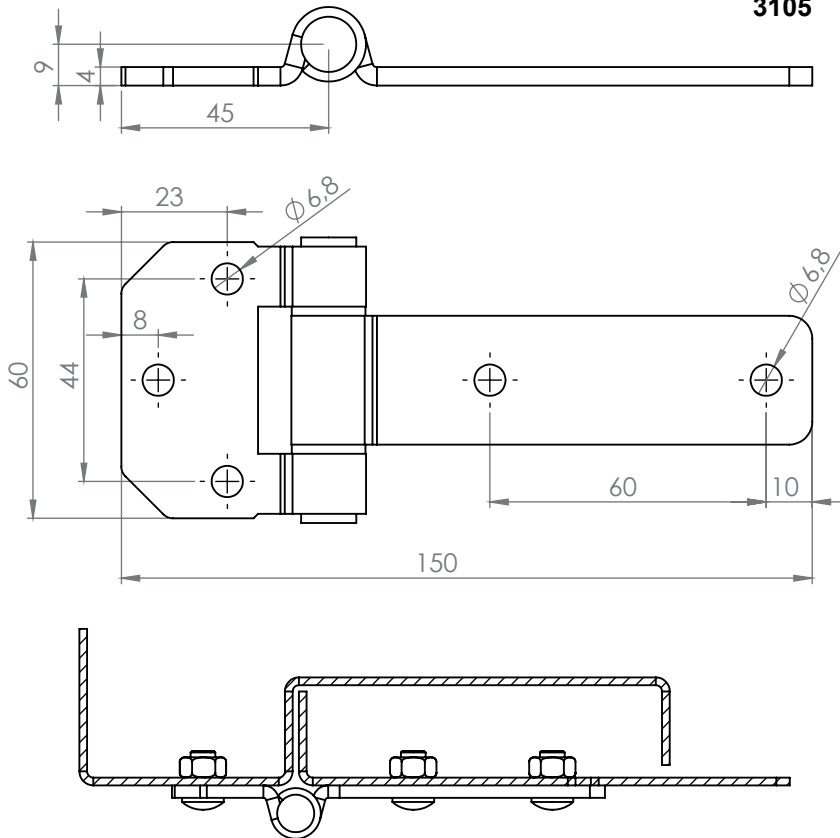
3103 - 180° Hinge

	Steel, Black coated	Stainless steel AISI 304
Item Number	3103 - 310	3103 - 500

3104



3105

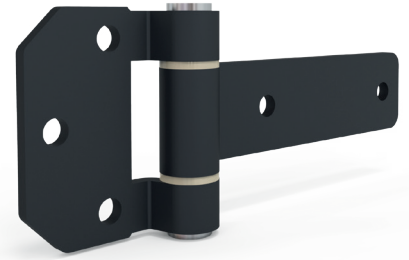
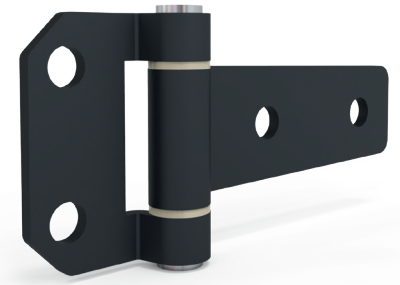


3104 - 180° Hinge

	Steel, Black coated	Stainless steel AISI 304
Item Number	3104 - 310	3104 - 500

3105 - 180° Hinge

	Steel, Black coated	Stainless steel AISI 304
Item Number	3105 - 310	3105 - 500



Hinges for Flat Doors

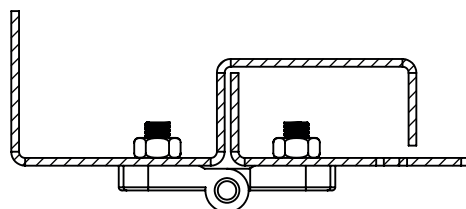
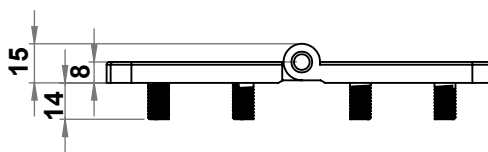
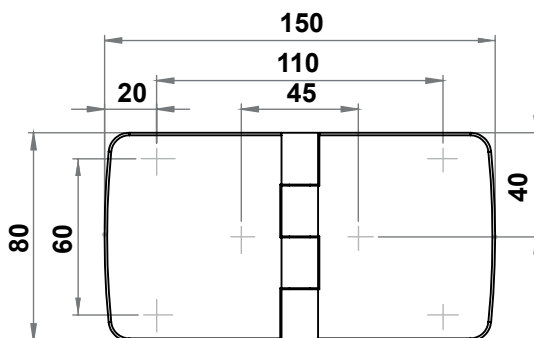
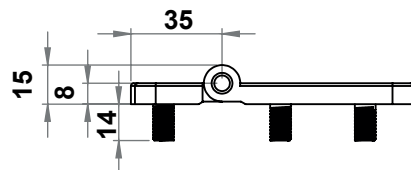
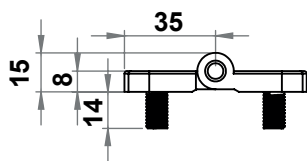
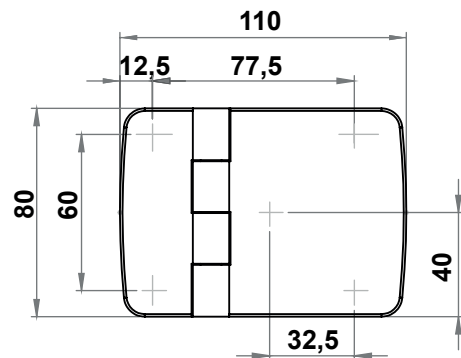
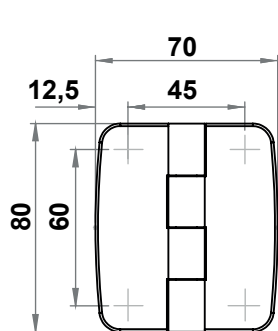
MATERIAL

Housing: Steel, black coated /
Stainless steel, AISI 304
Pin : Stainless steel, AISI 303

RoHS

LH/RH

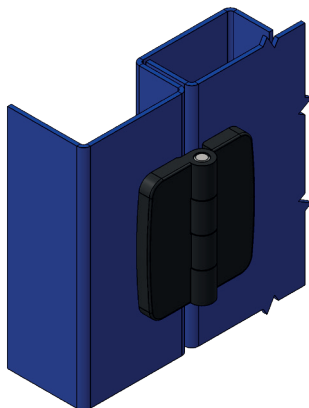




MATERIAL

Housing: Zinc die, black coated

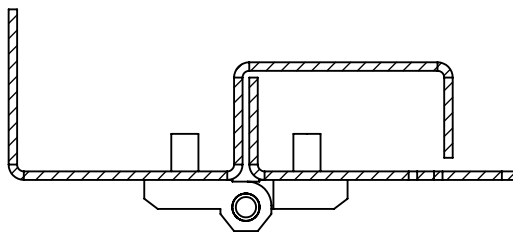
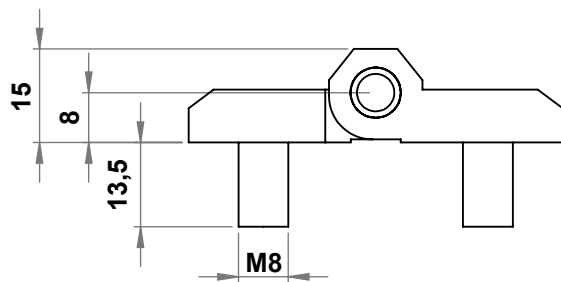
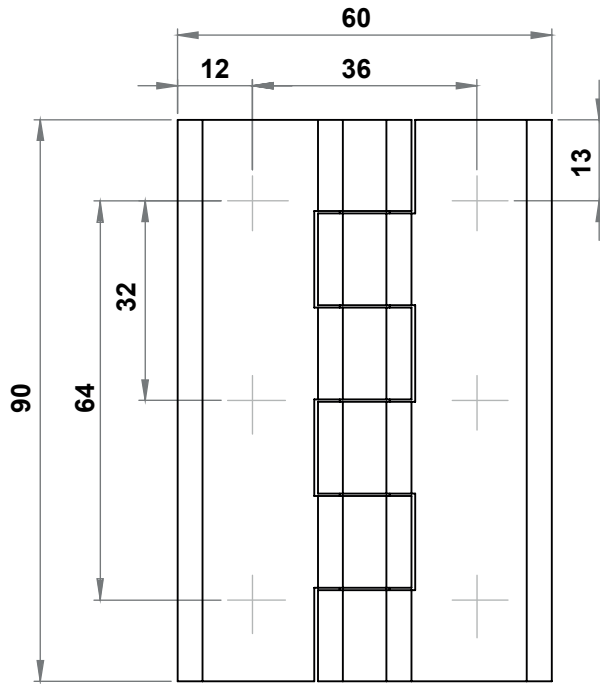
Pin : Stell / Stainless steel AISI 303



3123 - 180° Hinge

Item Number	Zinc die Black coated
80 x 70	3123 - 211
80 x 110	3107 - 211
80 x 150	3108 - 211



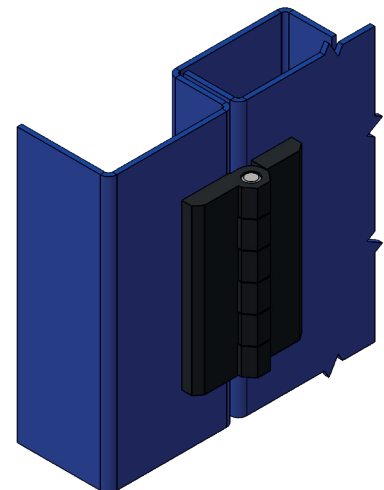


Hinges for Flat Doors

MATERIAL

Housing: Zinc die, black coated or Chrome Plated

Pin : Steel / Stainless steel AISI 303



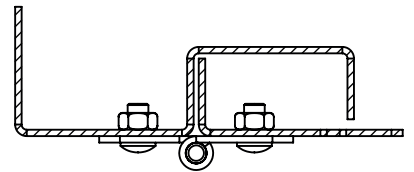
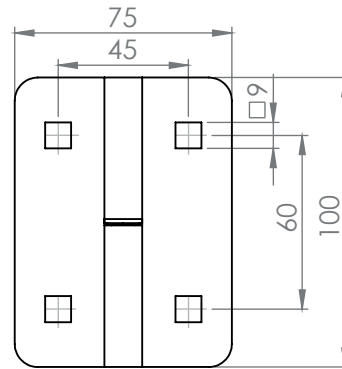
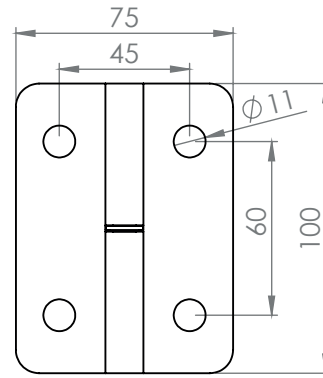
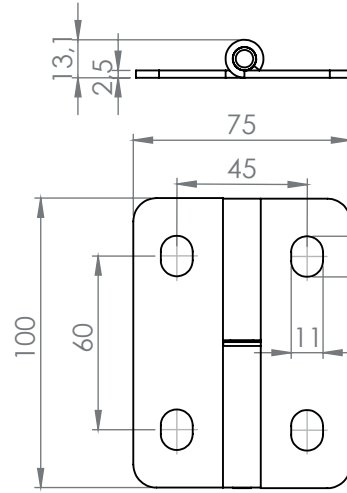
3130 - 180° Hinge

	Zinc die Black coated	Zinc die Chrome Plated
Item Number	3130-210	3130-220

RoHS

LH/RH

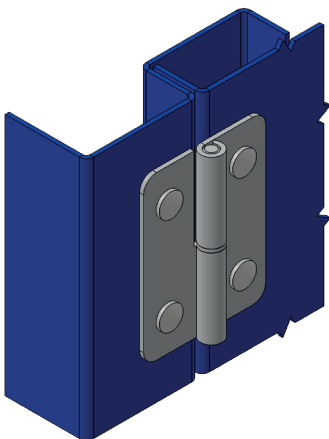




MATERIAL

Housing: Steel, black coated,
Stainless steel, AISI 304

Pin : Stainless steel, AISI 303

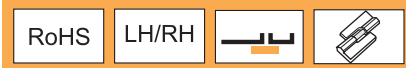


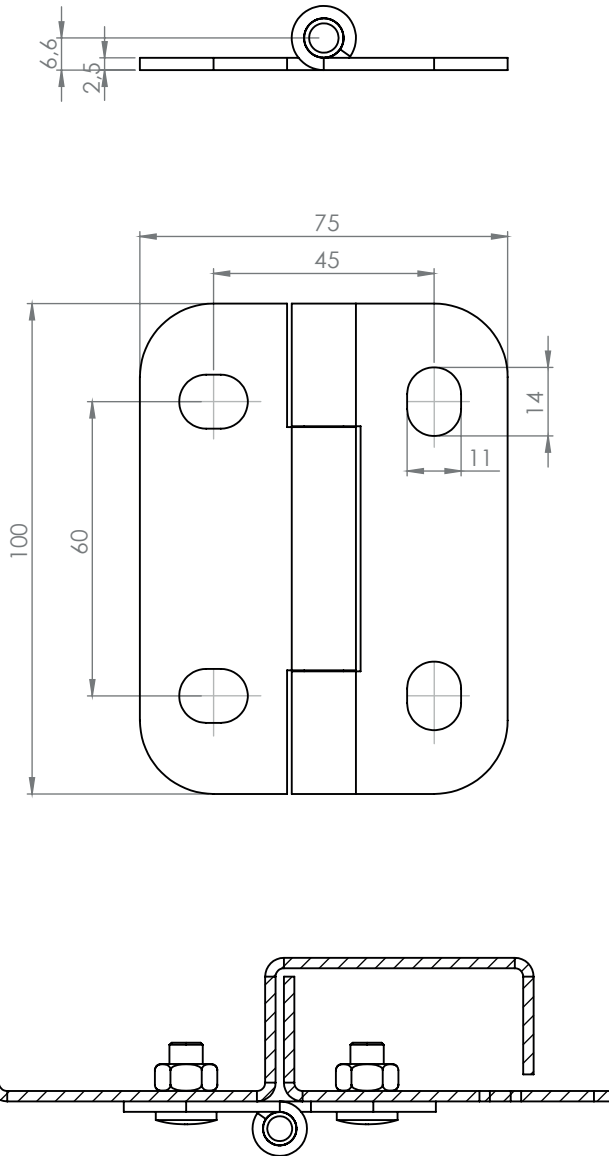
3122 - 180° Hinge

Oval Holes	Steel, Black coated	AISI 304 Stainless steel
RH	3122 - 612	3122 - 750
LH	3122 - 611	3122 - 700

Round Holes	Steel, Black coated	AISI 304 Stainless steel
RH	3122 - 312	3122 - 550
LH	3122 - 311	3122 - 500

Square Holes	Steel, Black coated	AISI 304 Stainless steel
RH	3122 - 412	3122 - 650
LH	3122 - 411	3122 - 600





Hinges for Flat Doors

MATERIAL

Housing: Steel, black coated
 Stainless steel AISI 304
Pin : Stainless steel AISI 303

Note : Pin is riveted.

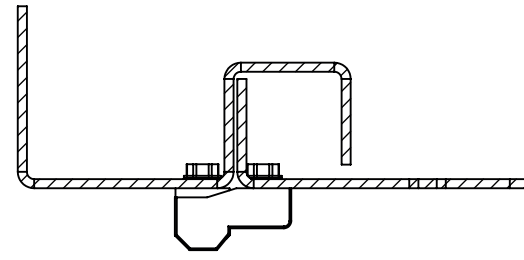
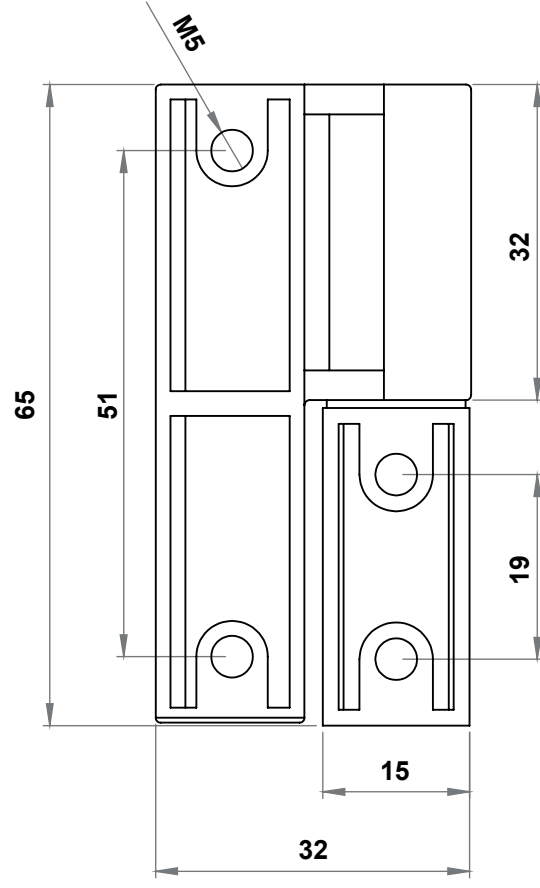
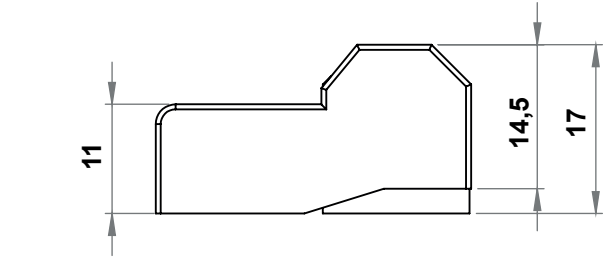
3222 - 180° Hinge

	Steel Black coated	AISI 304 Stainless steel	AISI 304 Stainless steel Black coated
Item Number	3122 - 310	3222 - 500	3222 - 510

RoHS

LH/RH

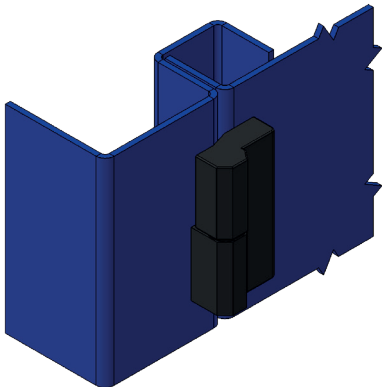




MATERIAL

Housing: Zinc die, chrome plated or black coated

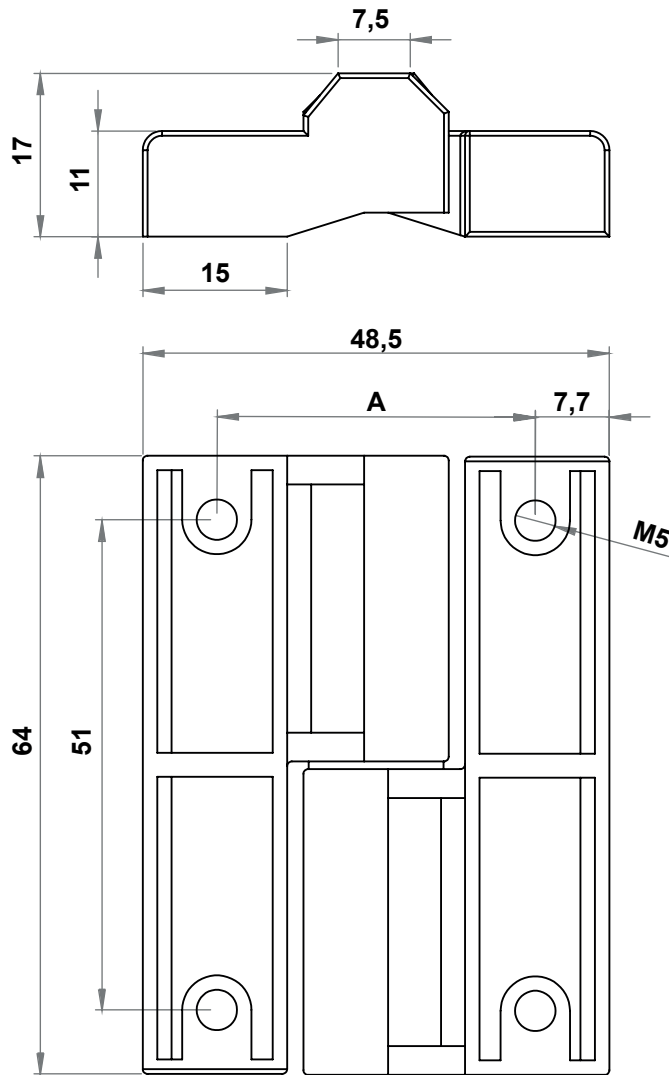
Pin : Steel, zinc plated



3071 - 180° Lift-off Hinge

	Zinc die Raw	Zinc die Black coated	Zinc die Chrome Plated
RH	3071 - 200	3071 - 210	3071 - 220
LH	3171 - 200	3171 - 210	3171 - 220



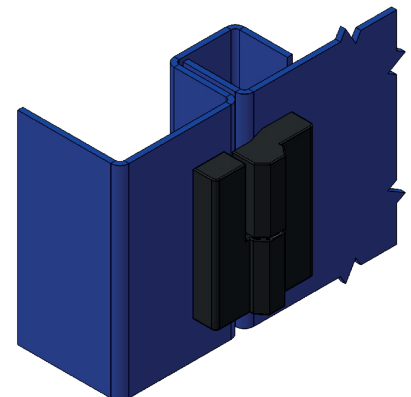


Hinges for Flat Doors

MATERIAL

Housing: Zinc die, chrome plated or black coated

Pin : Steel, zinc plated



3059 - 180° Lift-off Hinge

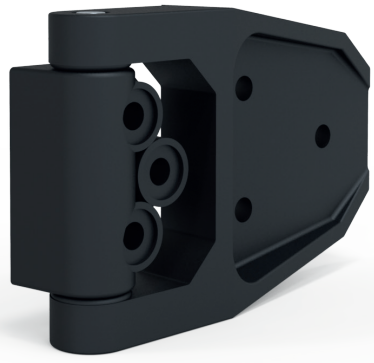
A		Zinc die Raw	Zinc die Black coated	Zinc die Chrome Plated
33	RH	3059 - 200	3059 - 210	3059 - 220
	LH	3159 - 200	3159 - 210	3159 - 220
35	RH	3059 - 200 - A	3059 - 210 - A	3059 - 220 - A
	LH	3159 - 200 - A	3159 - 210 - A	3159 - 220 - A

RoHS



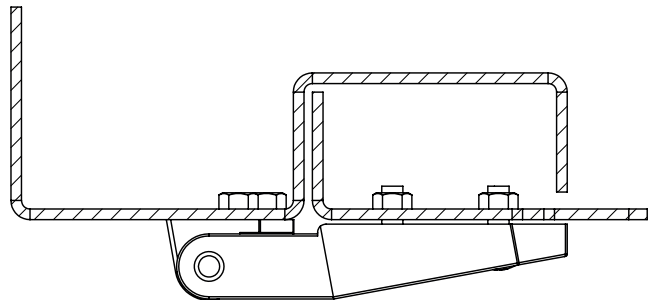
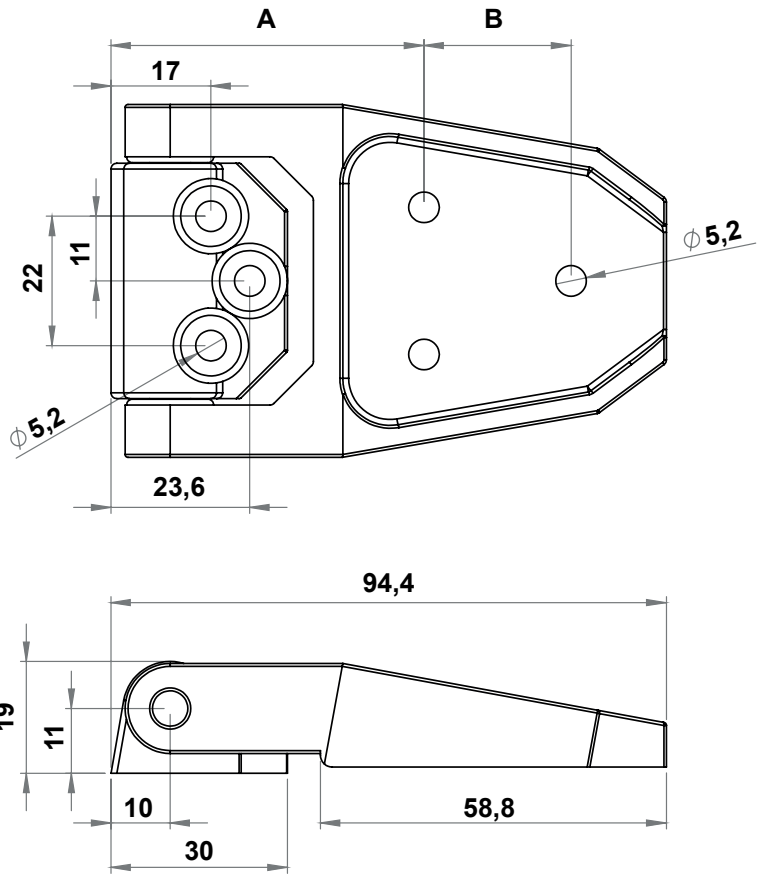
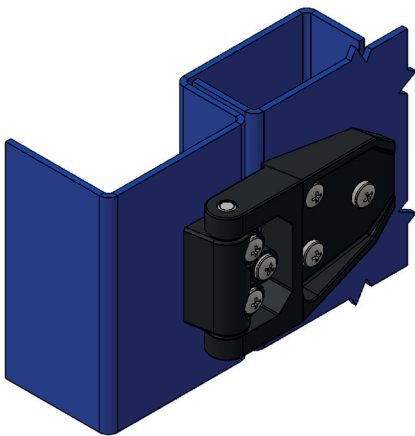
LH

RH



MATERIAL

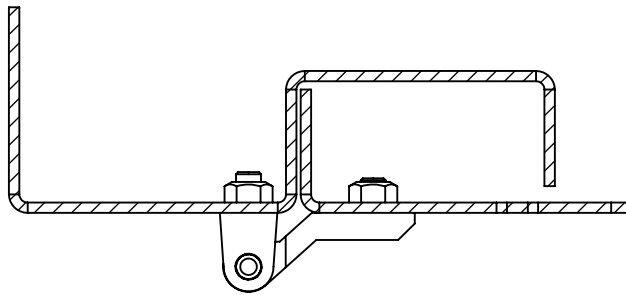
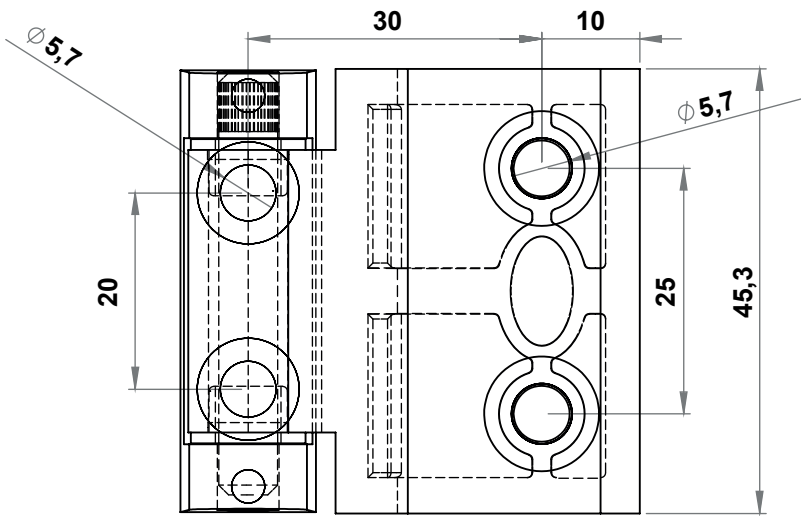
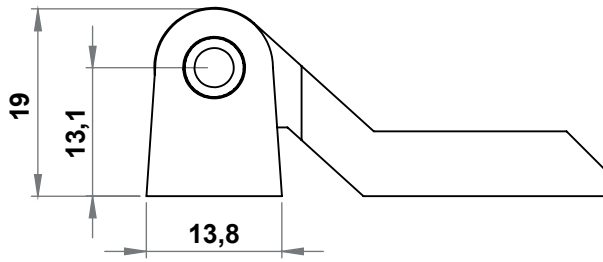
Housing: Polyamide (PA6 GFR30), Black
Pin : Steel, zinc plated



3010 - 180° Hinge

A	B	Item Number
53,2	25	3010 - 100
54	28	3010 - 400

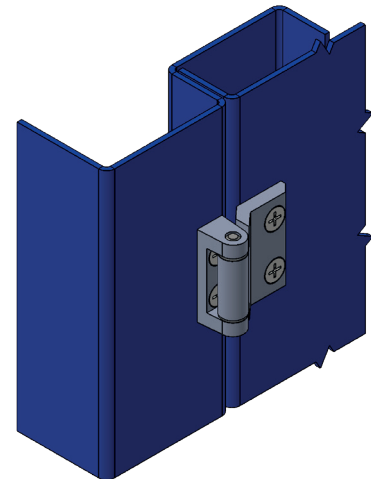




MATERIAL

Housing: Zinc die, chrome plated or black coated

Pin : Steel, zinc plated



Hinges for Flat Doors

3140 - 180° Hinge

	Zinc die, Black coated	Zinc die, Chrome plated
Item Number	3140 - 210	3140 - 220

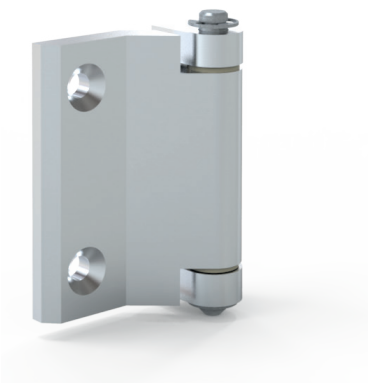
RoHS

LH/RH





Hinges for Flat Doors

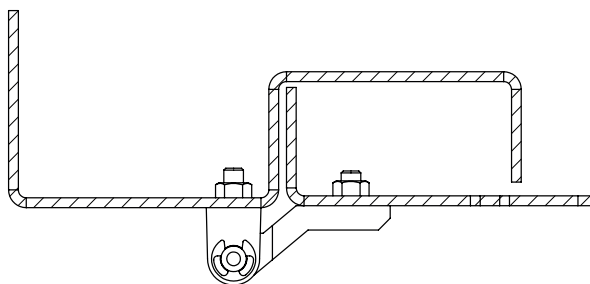
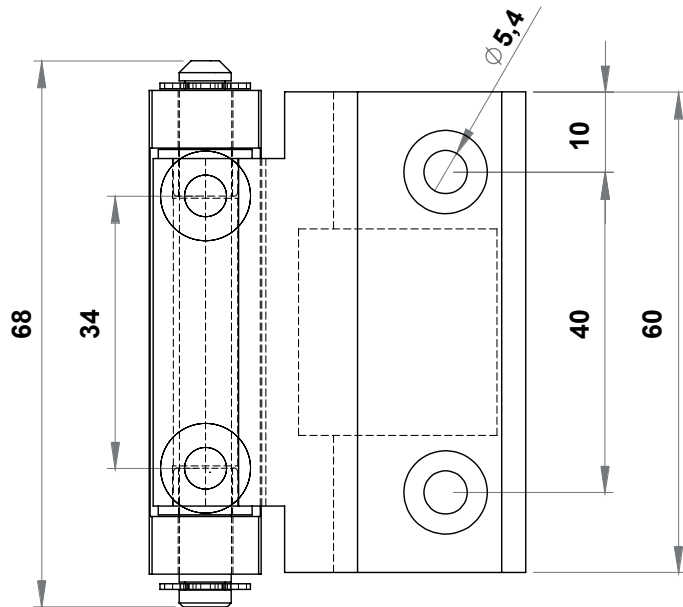
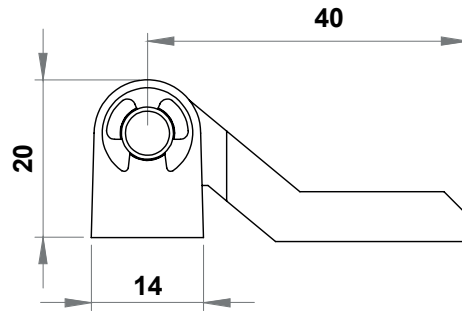
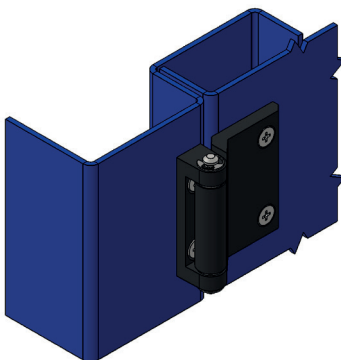


MATERIAL

Housing: Zinc die, chrome plated or black coated

Pin : Steel / AISI 304 Stainless steel

Pullar : Polyamide (PA6 GFR30)



3020 - 170° Hinge

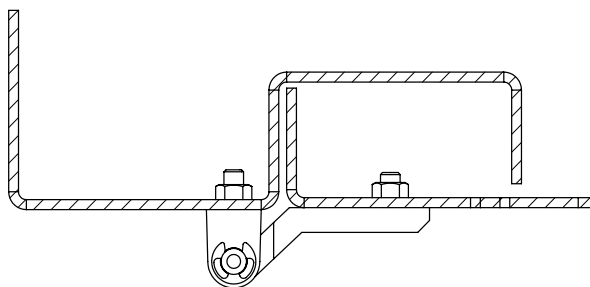
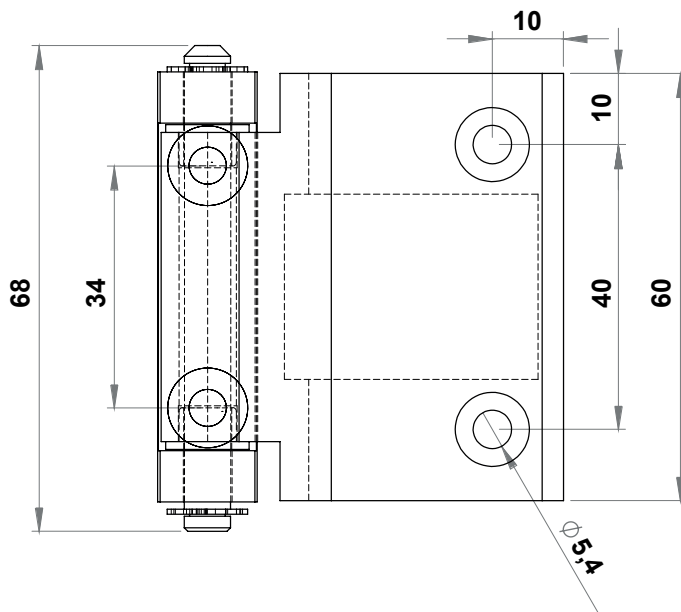
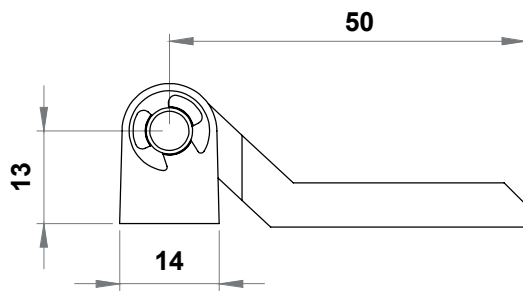
	Zinc die Black coated	Zinc die Chrome Plated
L=13,5 mm	3020 - 210	3020 - 220
L=23,5 mm	3036 - 210	3036 - 220

The SS mark after the code means that the studs are stainless steel.

RoHS



LH/RH



Hinges for Flat Doors

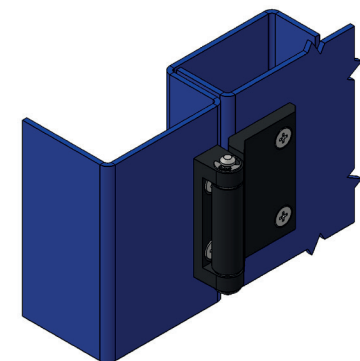
MATERIAL

Housing: Zinc die, chrome plated or black coated

Pin : Steel / AISI 304 Stainless steel

Pullar : Polyamide (PA6 GFR30)

Stainless steel version is available



3021 - 180° Hinge

	Zinc die Black coated	Zinc die Chrome Plated
L=13,5 mm	3021 - 210	3021 - 220
L=23,5 mm	3030 - 210	3030 - 220

The SS mark after the code means that the studs are stainless steel.

RoHS



LH/RH

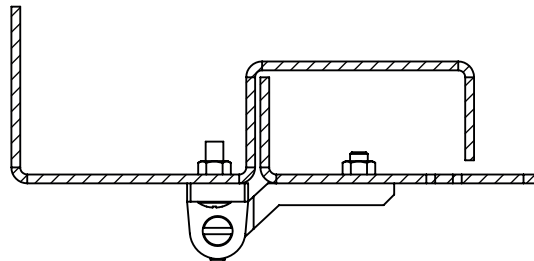
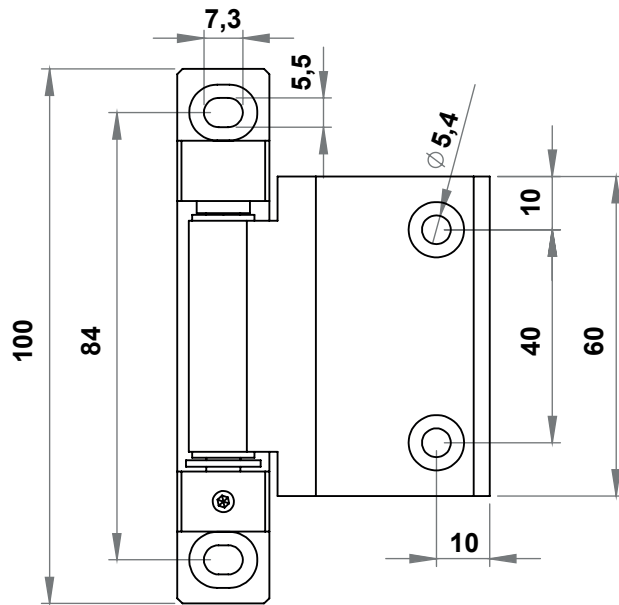
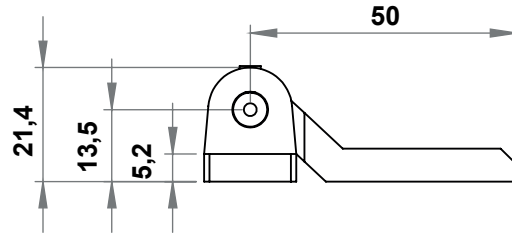
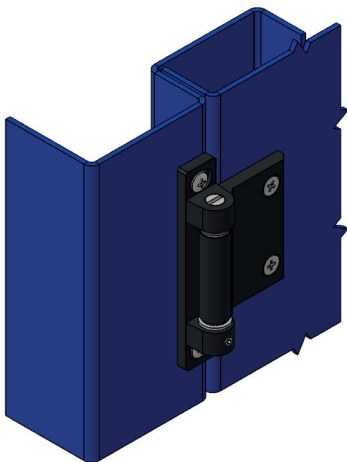


MATERIAL

Housing: Zinc die, chrome plated or black coated

Pin : Steel, AISI 304 Stainless steel

Pullar : Polyamide (PA6 GFR30)



3019 - 2D Adjustable 180° Hinge

	Zinc die Black coated	Zinc die Chrome Plated
RH	3019 - 210	3019 - 220
LH	3019 - 216	3019 - 226
Sabit Pin	3019 - 217	3019 - 227

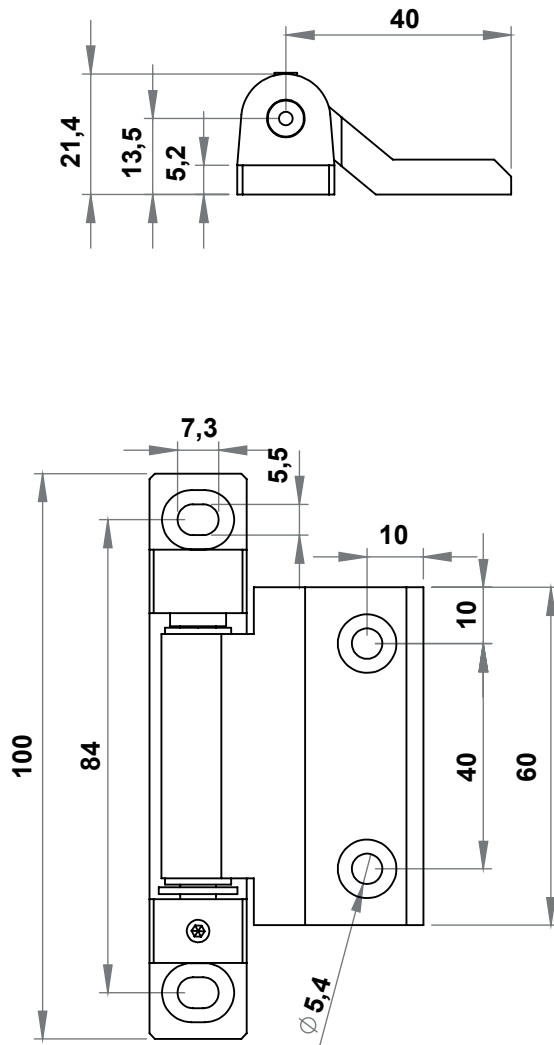
The SS mark after the code means that the studs are stainless steel.

RoHS



LH

RH



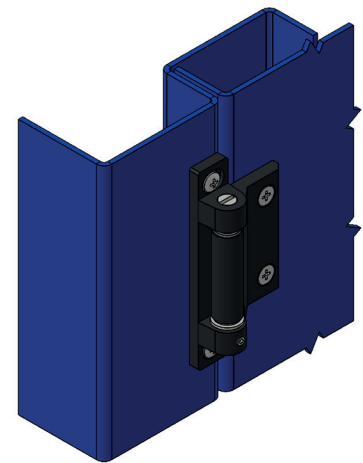
Hinges for Flat Doors

MATERIAL

Housing: Zinc die, chrome plated or black coated

Pin : Steel, AISI 304 Stainless steel

Pullar : Polyamide (PA6 GFR30)



3079 - 2D Adjustable 180° Hinge

	Zinc die Black coated	Zinc die Chrome Plated
RH	3079 - 210	3079 - 220
LH	3079 - 216	3079 - 226
Sabit Pin	3079 - 217	3079 - 227

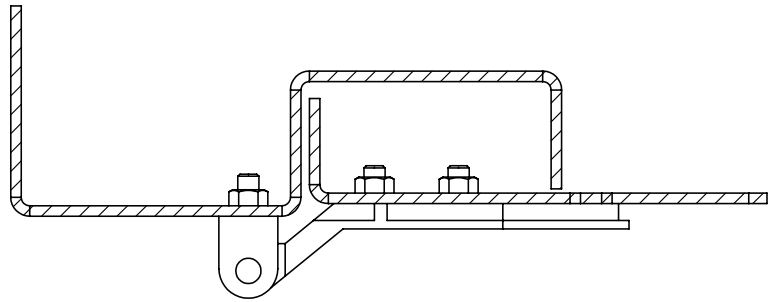
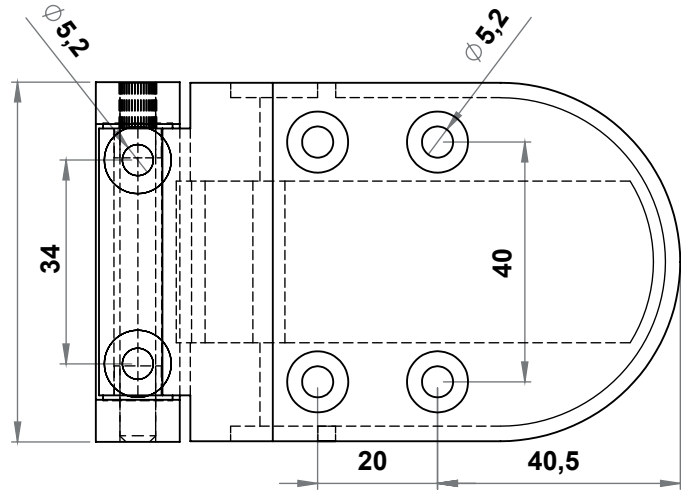
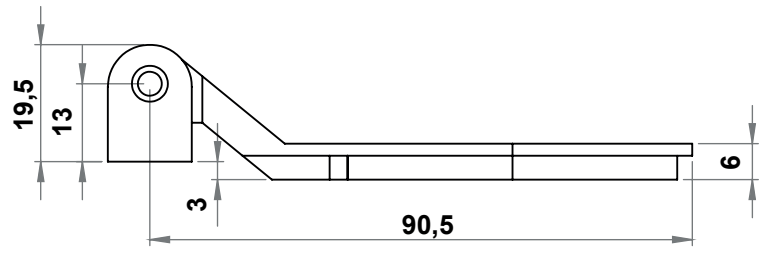
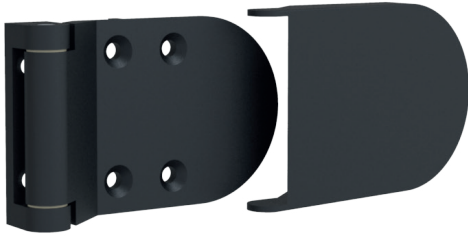
The SS mark after the code means that the studs are stainless steel.

LH

RH

RoHS





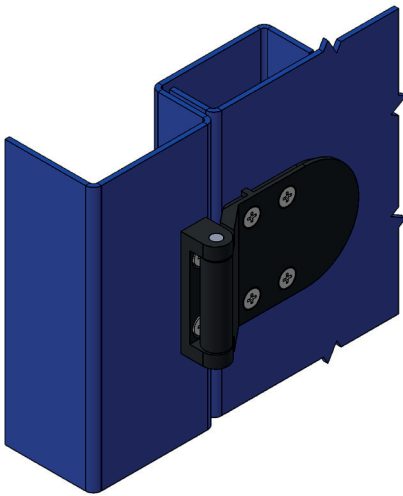
	Zinc die, Black coated
Item Number	3132-210

MATERIAL

Housing: Zinc die, chrome plated or
black coated

Pin : Steel, AISI 304 Stainless steel

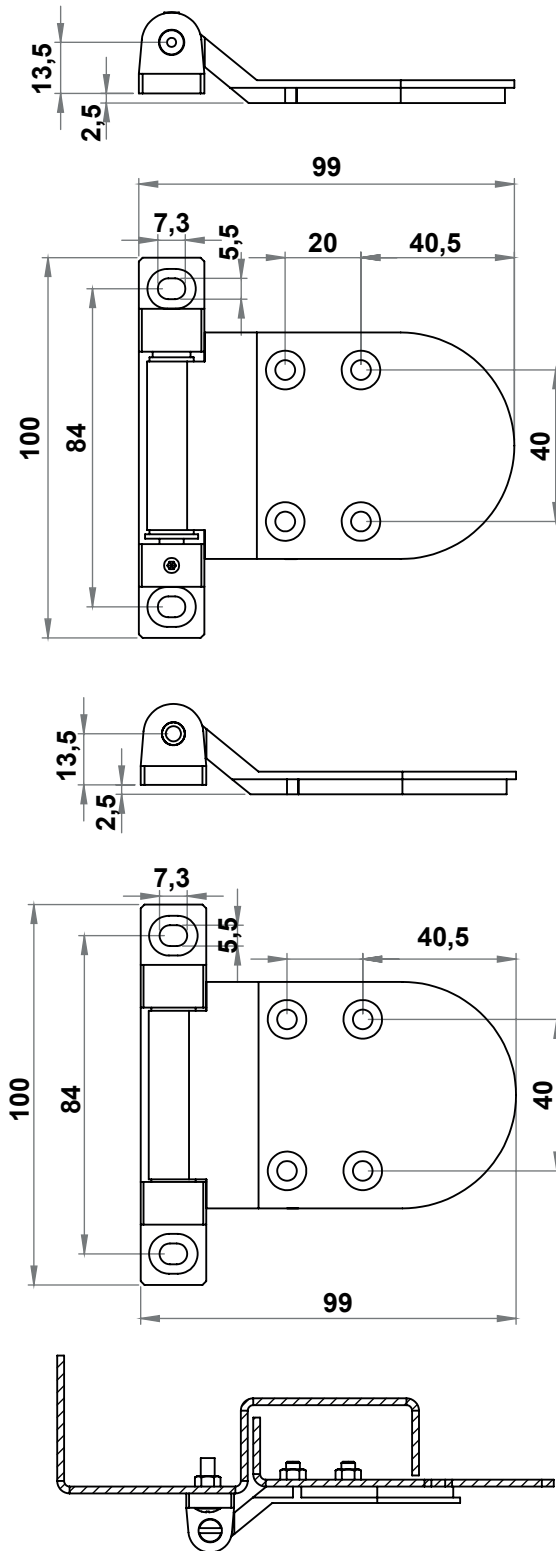
Pullar : Polyamide (PA6 GFR30)



3132 - 180° Hinge

	Zinc die, Black coated	Zinc die, Chrome Plated		Cover
Ürün kodu	3132-210	3132-220	Item Number	3132 - 001

The SS mark after the code means that the studs are stainless steel.



	Cover
Item Number	3132 - 001

3319-3419 - 180° Hinge

	Zinc die, Black coated	Zinc die, Chrome Plated
2D Adjustable Pin	3319-210	3319-220
Fixed Pin	3419-210	3419-220

The SS mark after the code means that the studs are stainless steel.



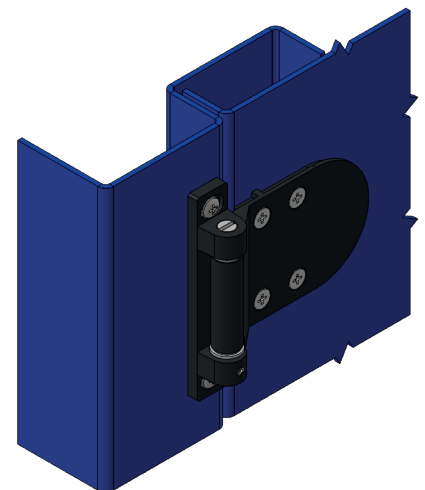
Hinges for Flat Doors

MATERIAL

Housing: Zinc die, chrome plated or black coated

Pin : Steel / AISI 304 Stainless steel

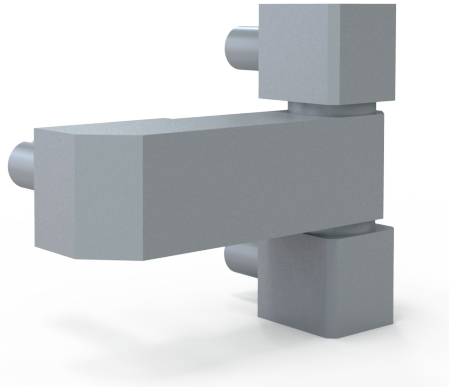
Pullar : Polyamide (PA6 GFR30)



Tamamen
Zinc die



LH/RH



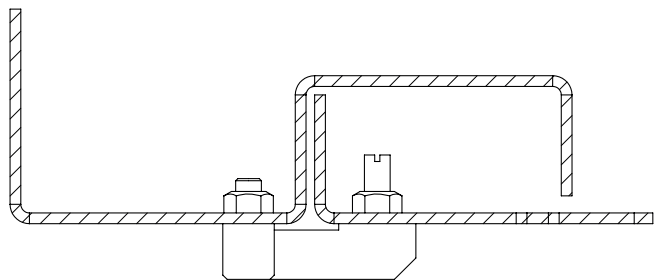
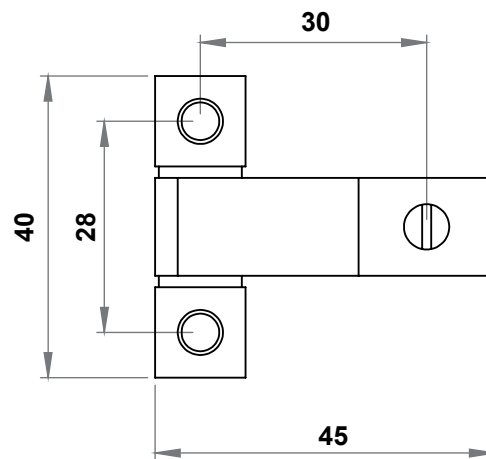
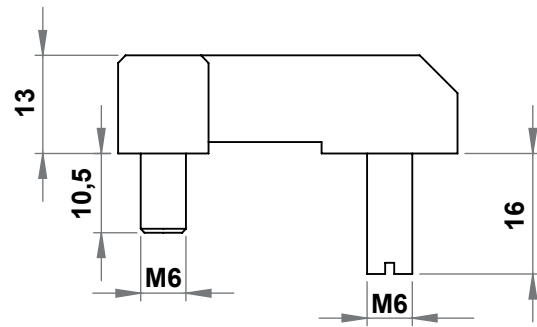
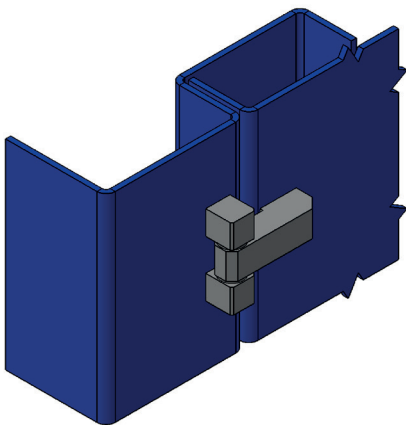
MATERIAL

Housing : Steel, zinc plated

Pin : Brass, nickel plated

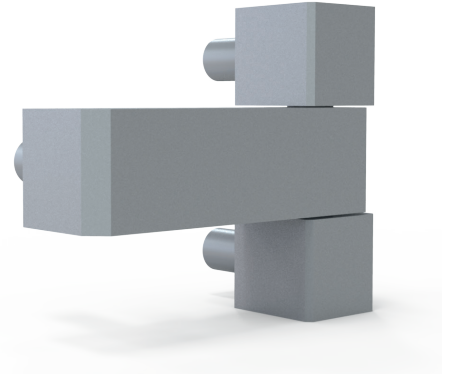
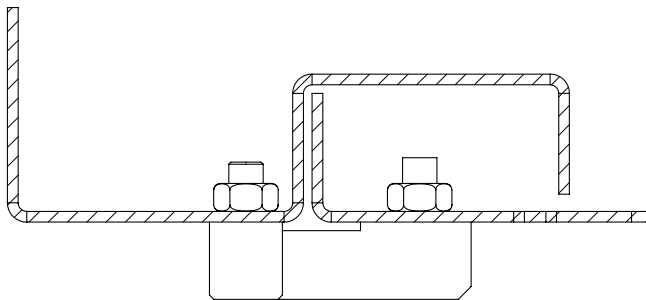
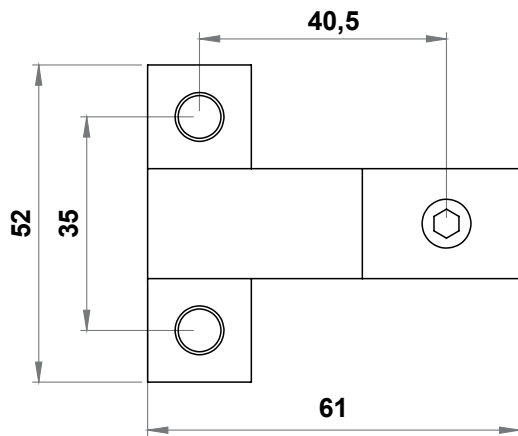
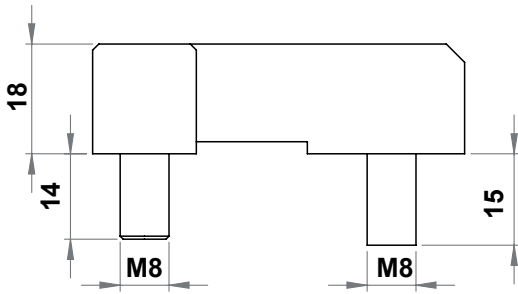
Civatlar : Steel, zinc plated

* Stainless steel version is available



3034 - 180° Hinge

Item Number	3034 - 431
-------------	------------



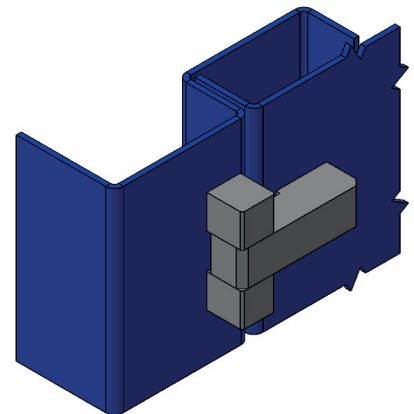
Hinges for Flat Doors

MATERIAL

Housing: Steel, zinc plated

Pin : Brass, nickel plated

* Stainless steel version is available

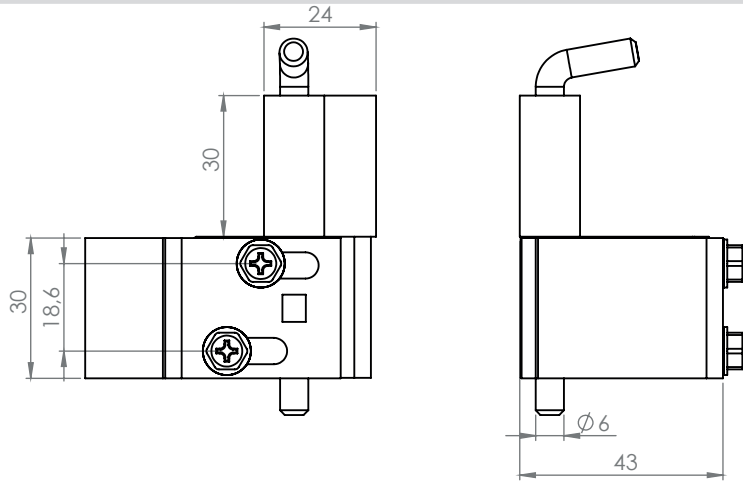
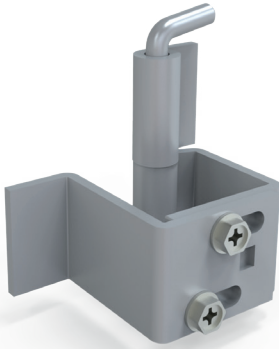


3035 - 180° Hinge

Item Number	3035 - 431
-------------	------------



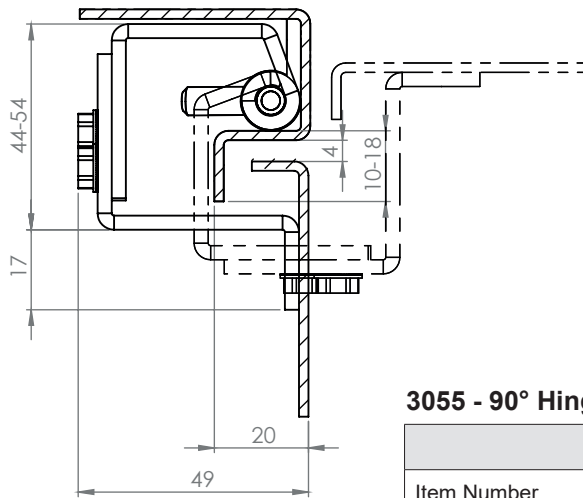
3055 - 90° Hinge



Hinges for Flat Doors

MATERIAL

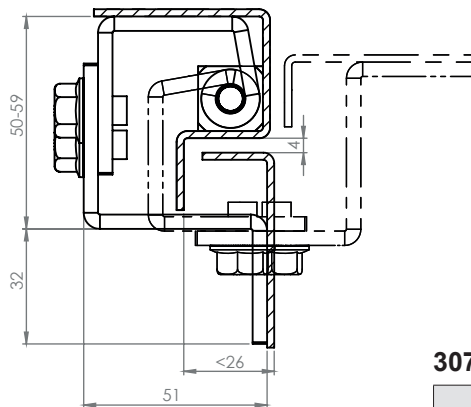
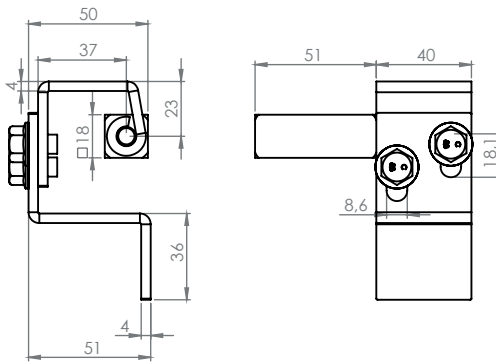
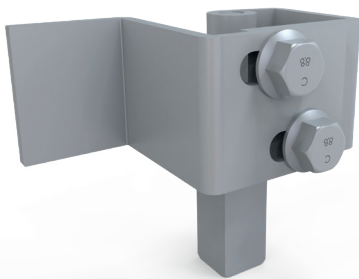
- Housing : Steel, zinc plated
- Welding piece : Steel
- Pin : Steel, zinc plated



3055 - 90° Hinge

Item Number	3055 - 330
-------------	------------

3073 - 90° Hinge



MATERIAL

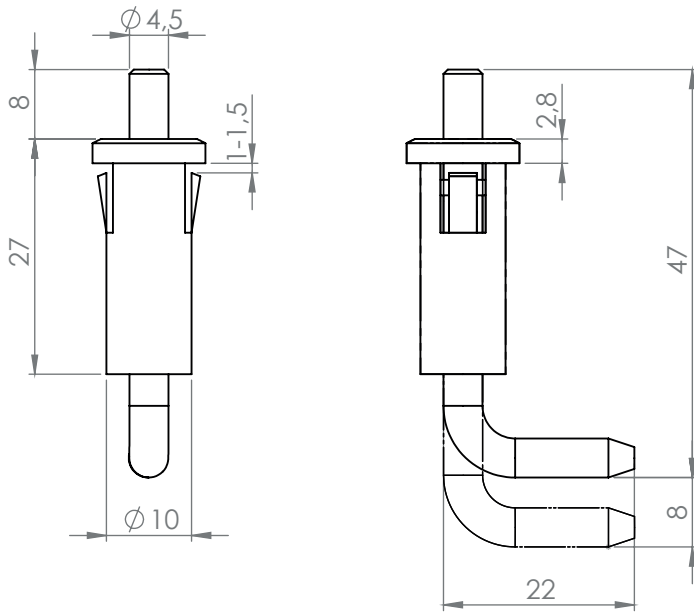
- Housing : Steel, zinc plated
- Welding piece : Steel
- Pin : Steel, zinc plated

3073 - 90° Hinge

Item Number	3073 - 330
-------------	------------



LH/RH



3076 - 120° Hinge

Item Number	3076 - 100
-------------	------------

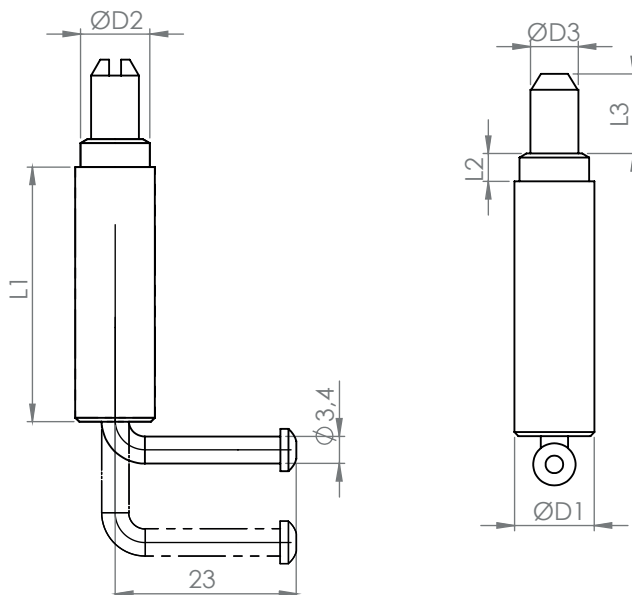
3076 - 120° Hinge



MATERIAL

Housing : Polyamide (PA6 GFR30), Black
Pin : Steel, zinc plated
Spring : Spring Steel

Hinges for Flat Doors



3028 - 120° Hinge

Item Number	D1	D2	D3	L1	L2	L3
3228 - 400	10	8,5	6	26,5	3,5	15,5
3028 - 400	10	8,7	6	32	3,5	10
3328 - 400	10	9,2	6	32	3,5	10
3428 - 400	10	12	9	47	6	14,5

3028 - 120° Hinge



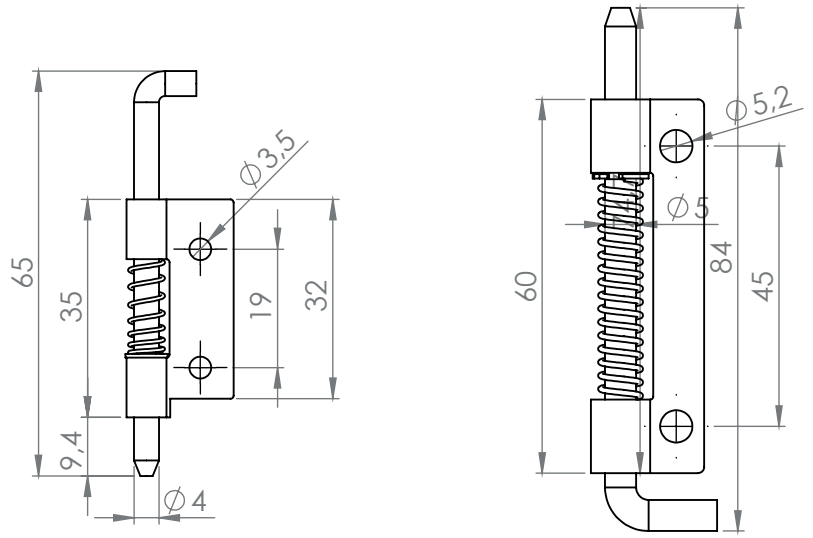
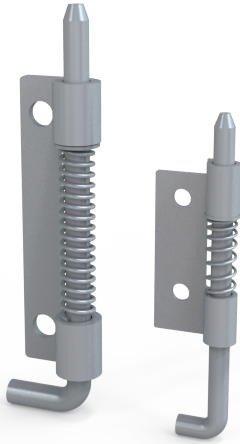
MATERIAL

Housing : Raw Steel
Welding piece : Steel, zinc plated
Spring : Spring Steel

LH/RH



3023 - 120° Hinge



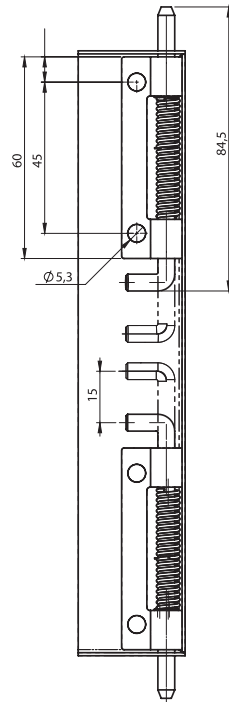
MATERIAL

Housing : Uncoated Steel / Steel, zinc plated
Pin : Steel, zinc plated
Spring : Spring Steel

3023 - 120° Hinge

Item Number	3023 - 100
-------------	------------

3025 - 120° Hinge



MATERIAL

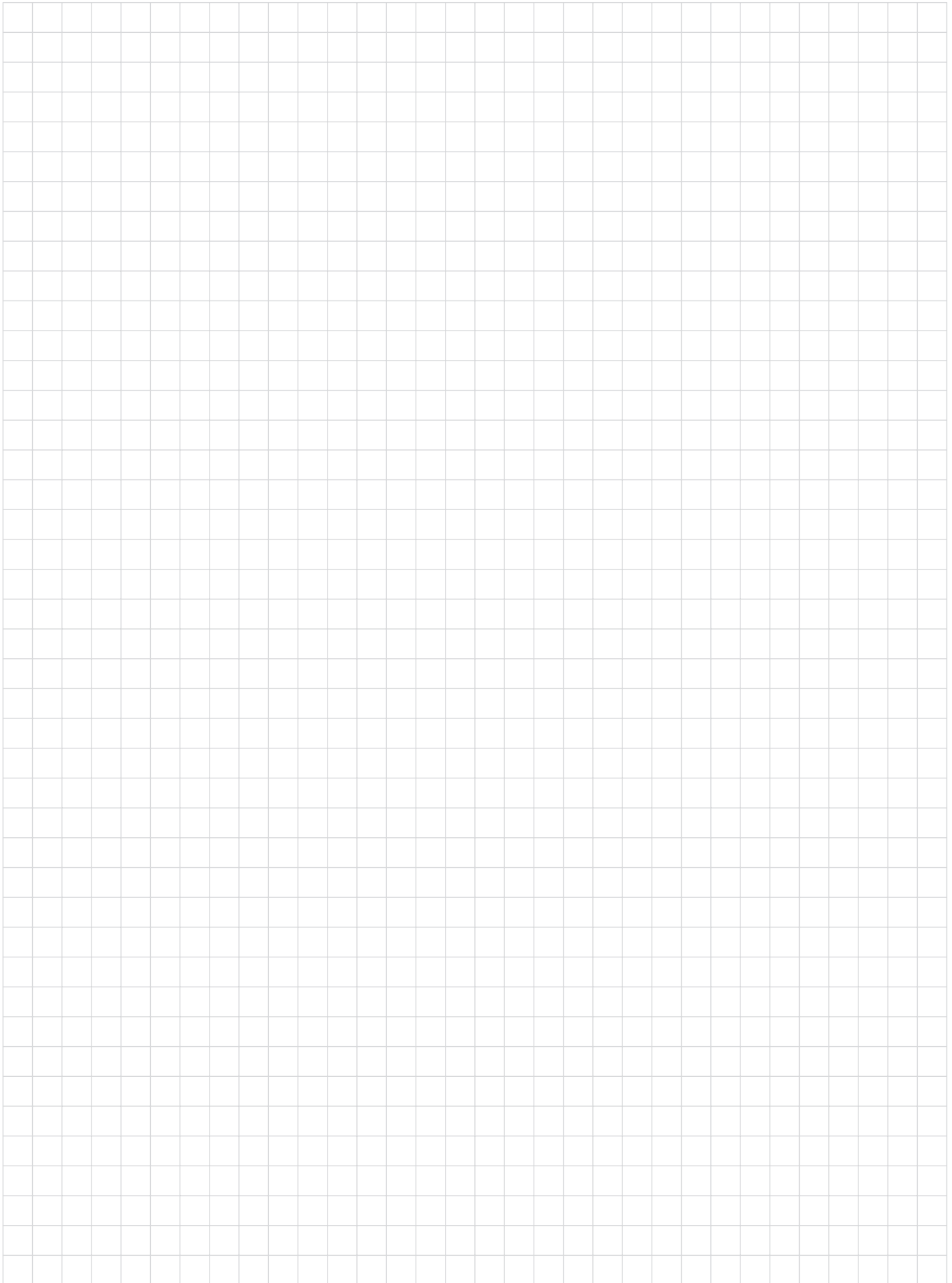
Housing : Uncoated Steel / Steel, zinc plated
Pin : Steel, zinc plated
Spring : Spring Steel

3025 - 120° Hinge

	RH Cover	LH Cover
Uncoated	3025 - 300	3027 - 300
Zinc plated	3025 - 330	3027 - 330



LH/RH





6 - Concealed Hinges



Page 164



Page 165



Page 166



Page 167



Page 168



Page 169



Page 170



Page 171



Page 173



Page 174



Page 175



Page 176



Page 177



Page 178



Page 179



Page 180



Page 181



Page 182



Page 184



Sayfa 185



Page 186



Page 186



Page 187



Page 187

Concealed Hinges



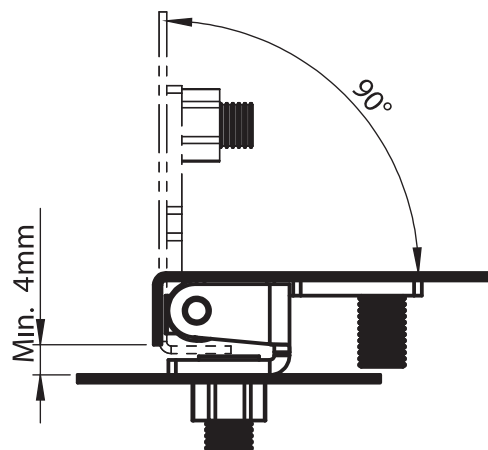
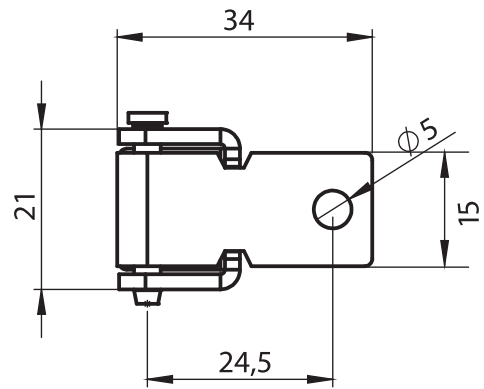
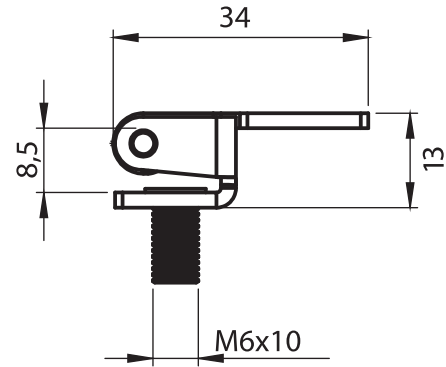
**3094
120° Hinge**



Concealed Hinges

Material

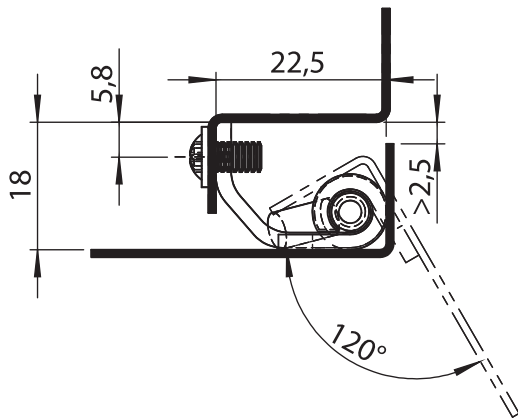
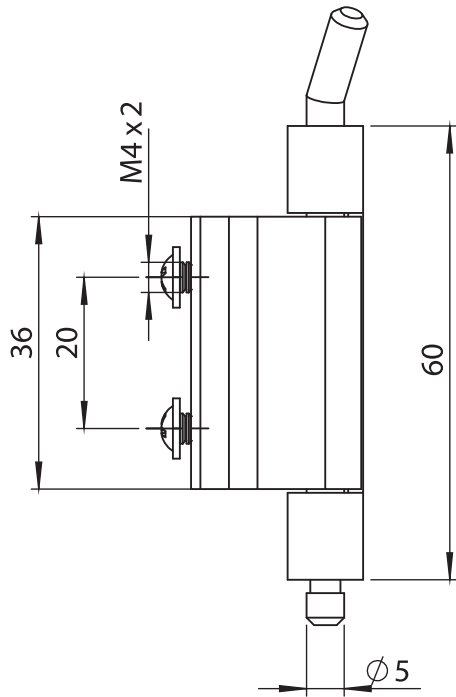
Hinge Parts : Steel, zinc plated
Pin : Steel, zinc plated



3063 - 90° Hinge

Item Number	3063 - 330





Concealed Hinges

Material

- Hinge Housing** : Steel, zinc plated
- Door Part** : Steel
- Pin** : Steel, zinc plated

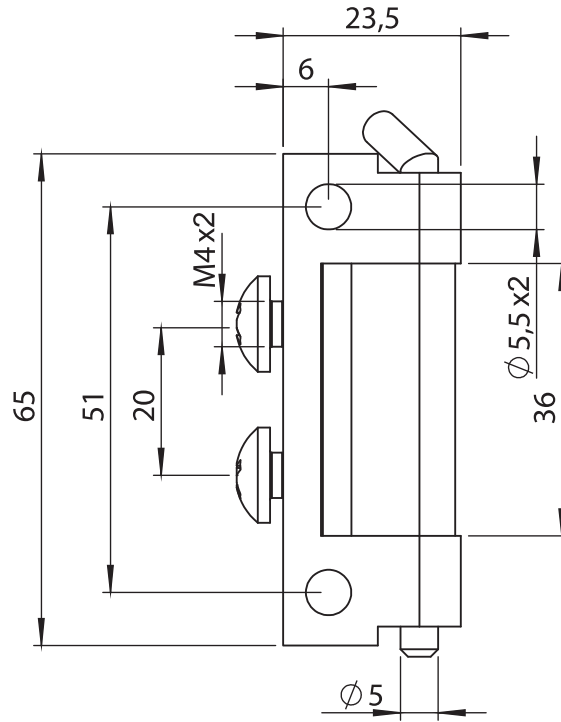
• Screws are not included

3043 - 120° Hinge

Item Number	3043 - 330
-------------	------------

LH/RH

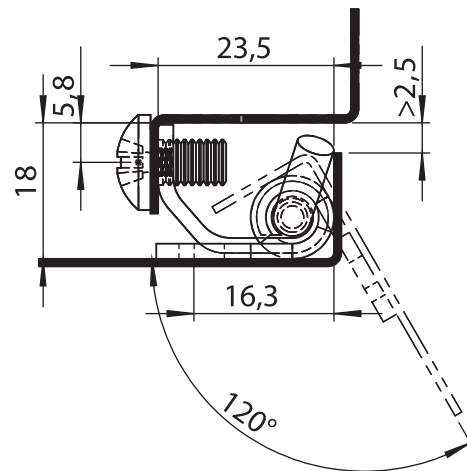




Material

- Hinge Housing** : Steel, zinc plated
- Door Part** : Steel, zinc plated
- Pin** : Steel, zinc plated

• Screws are not included

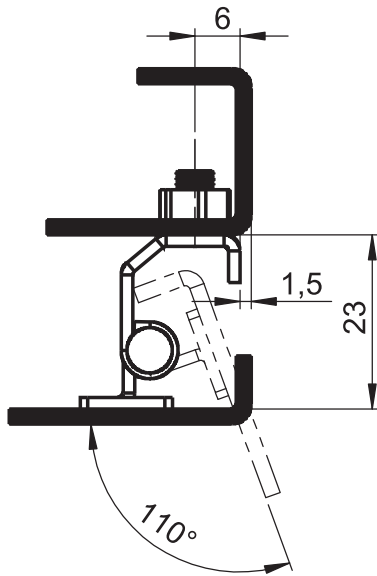
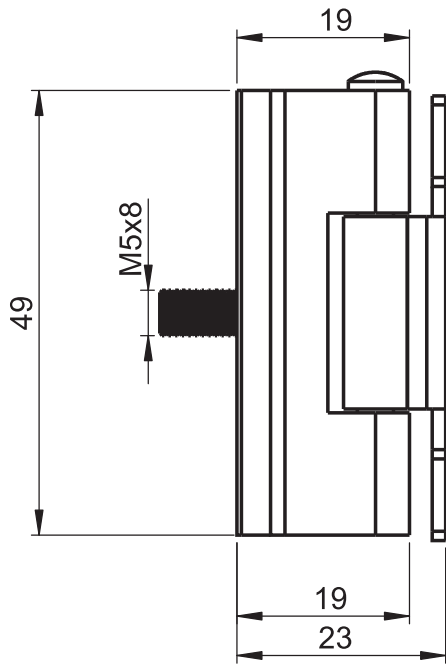


3051 - 120° Hinge

Item Number	3051 - 330
-------------	------------



LH/RH



Concealed Hinges

Material

Hinge Parts : Steel, zinc plated
Pin : Steel, zinc plated

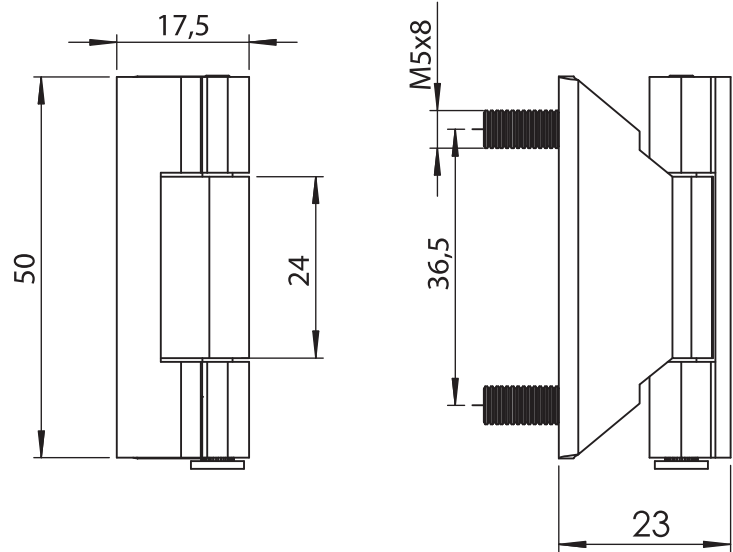
3062 - 110° Hinge

Item Number	3062 - 330
-------------	------------

LH/RH

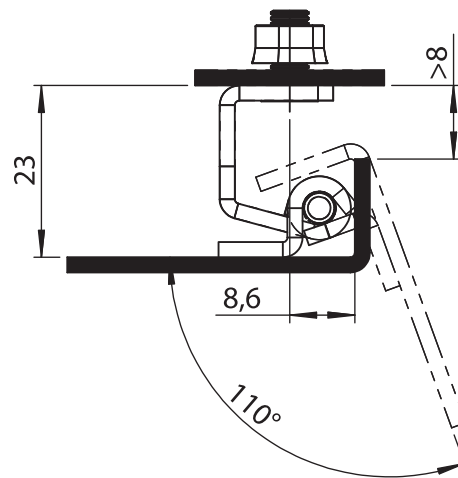


Concealed Hinges



Material

- Housing** : Steel, zinc plated
- Welding Part** : Steel, zinc plated
- Pin** : Steel, zinc plated

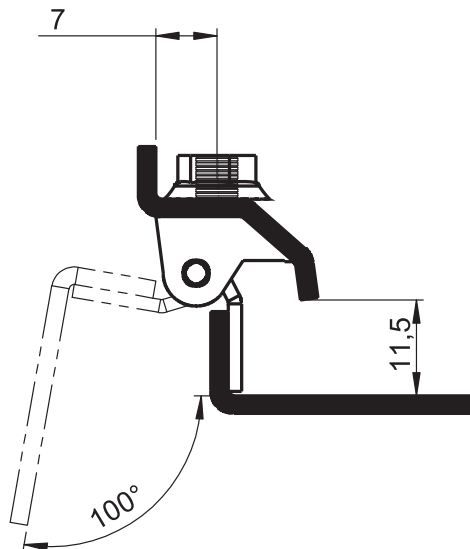
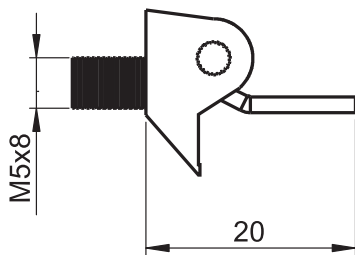
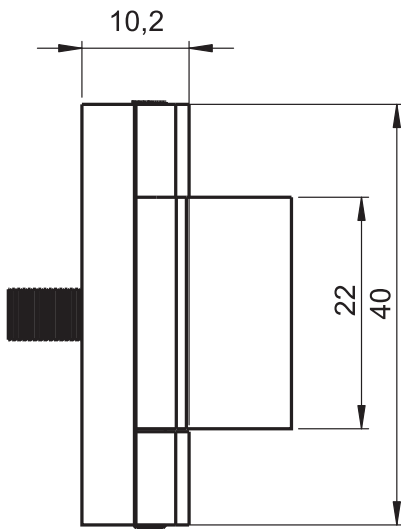


3061 - 110° Hinge

3061 - 110° Hinge	
Item Number	3061 - 330



LH/RH



3064 - 110° Hinge

Item Number	3064 - 350
-------------	------------



Concealed Hinges

Material

- Housing** : Zinc die, raw
- Welding Part** : Steel, copper plated
- Pin** : Steel, zinc plated

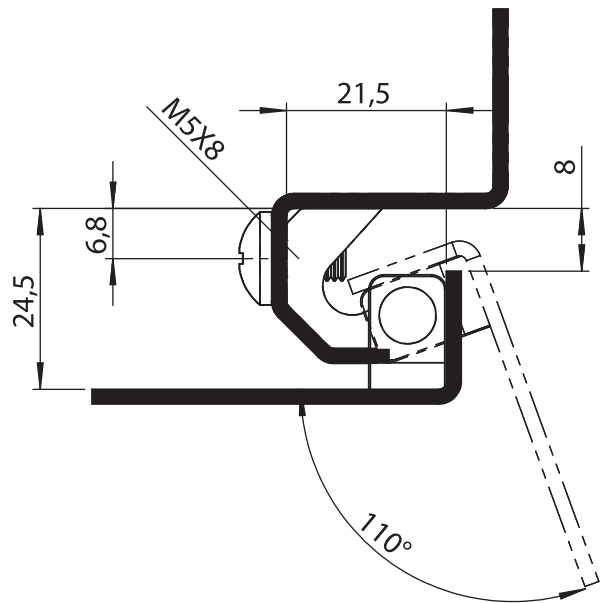
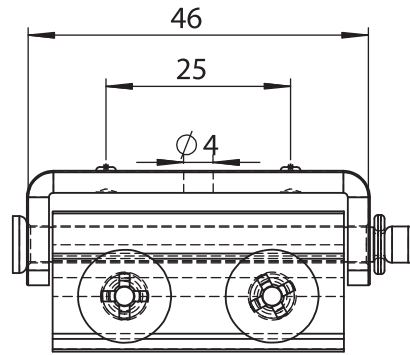
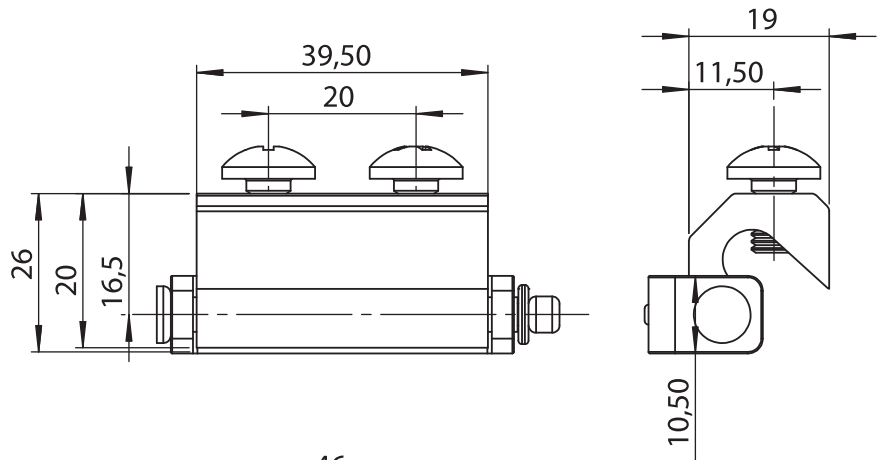
LH/RH

Concealed Hinges



Materiai

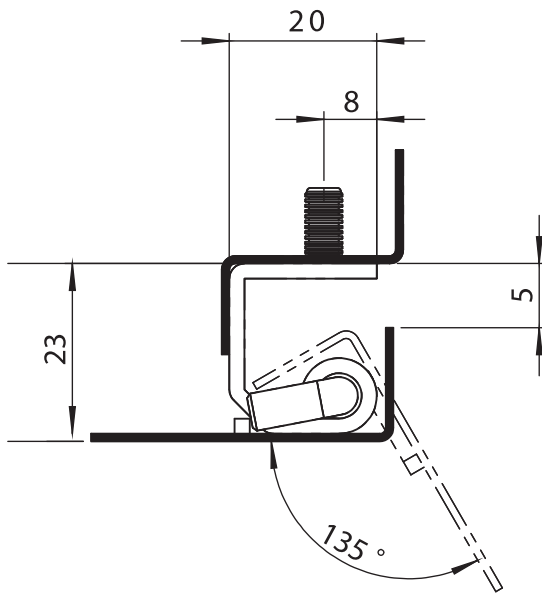
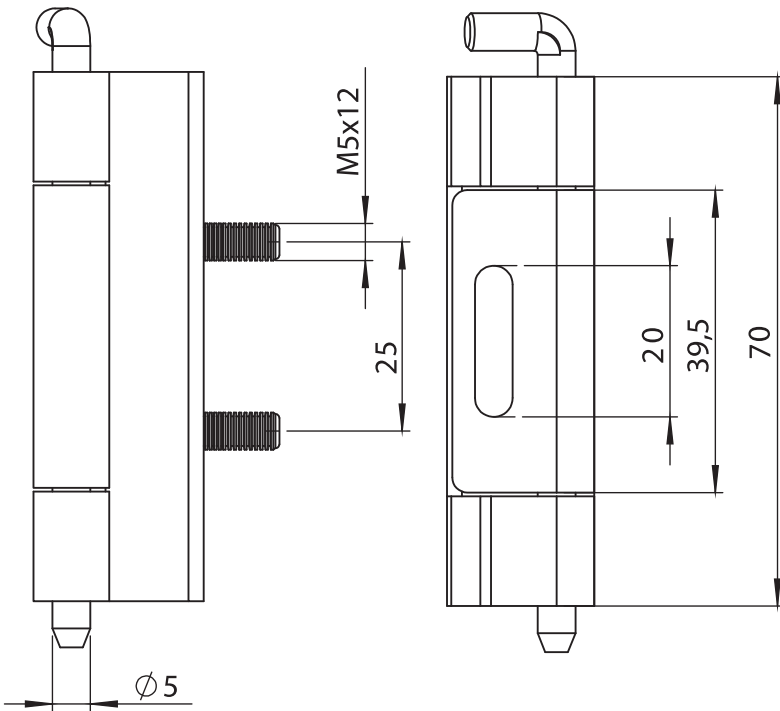
- Housing** : Aluminium or zinc die
- Welding Part** : Steel, copper plated
- Pin** : Steel, zinc plated



3048 - 110° Hinge

Housing	Aluminium	Zinc Die
Item Number	3048 - 350	3048 - 330



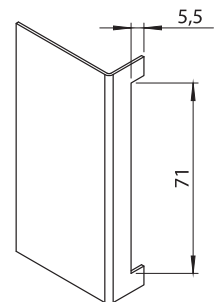


Concealed Hinges

Material

- Housing** : Steel, zinc plated
- Welding Part** : Steel, zinc plated
- Pin** : Steel, zinc plated

Cut out on the door

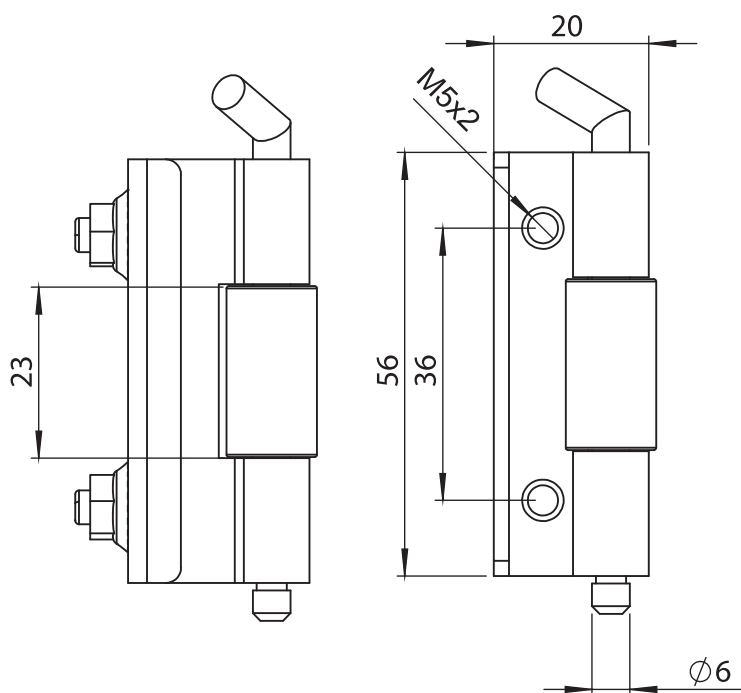


3047 - 135° Hinge

Item Number	3047 - 330
-------------	------------

LH/RH



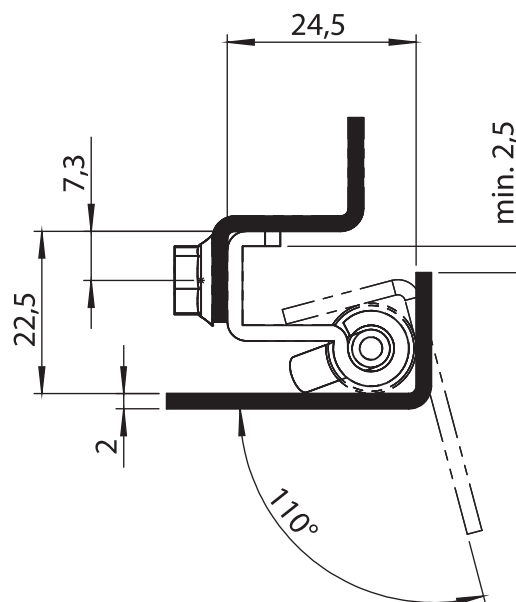


Material

Housing : Steel, zinc plated

Welding Part : Aluminium or steel, copper plated

Pin : Steel, zinc plated

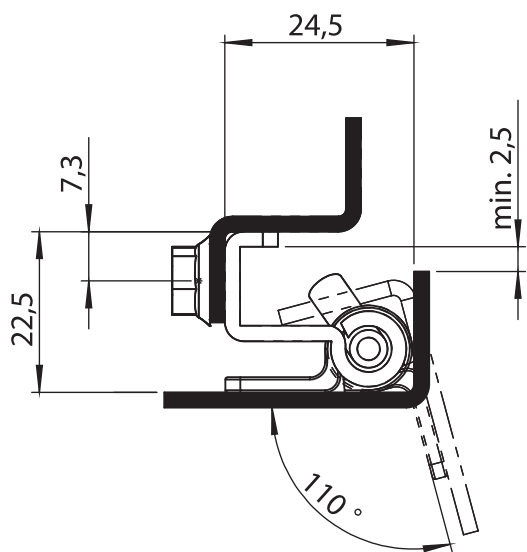
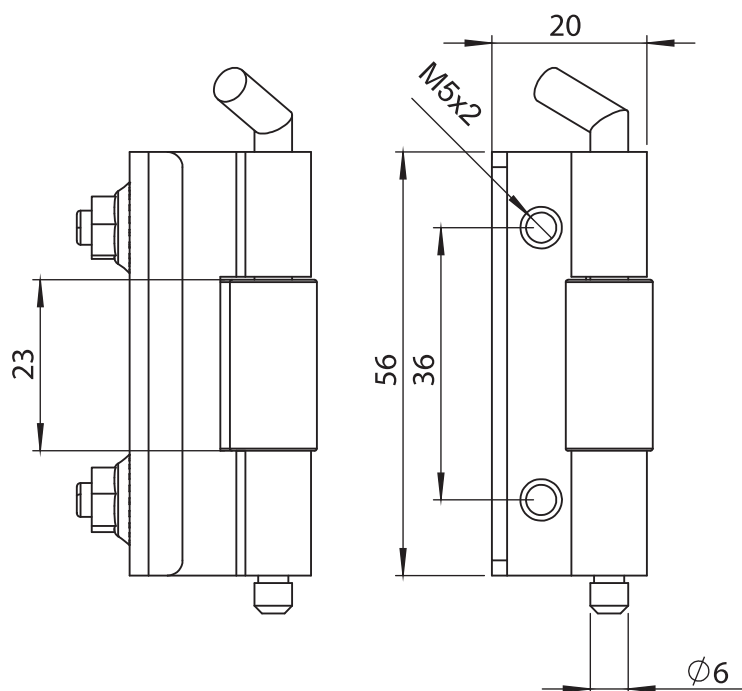


3249 - 110° Hinge

Welding Part	With M5 Holes	With Screws
Steel copper plated	3249 - 350	3249 - 351
Aluminium	3249 - 340	3249 - 341



LH/RH



Concealed Hinges

Material

Housing : Steel, zinc plated

Welding Part : Aluminium or steel, copper plated

Pin : Steel, zinc plated

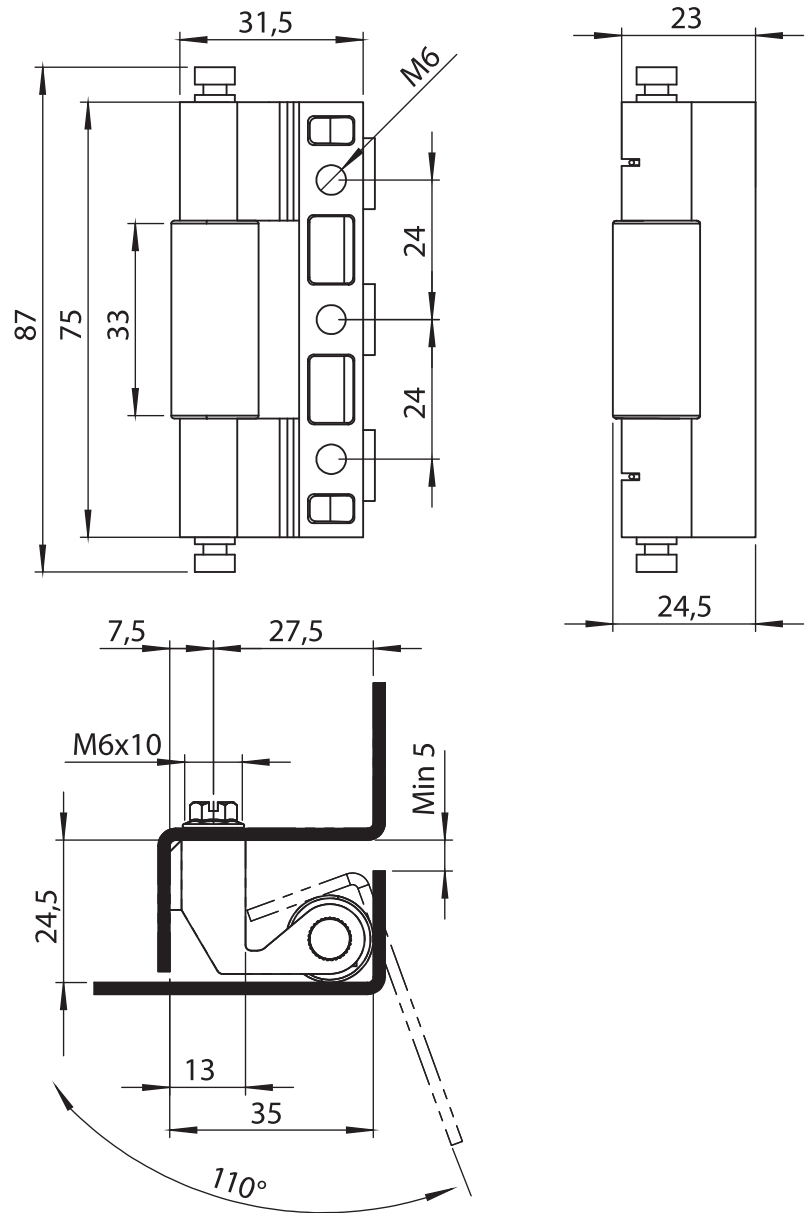
3249 - 110° Hinge

Welding Part	With M5 Holes	With Screws
Steel copper plated	3049 - 350	3049 - 351
Aluminium	3049 - 340	3049 - 341

LH/RH



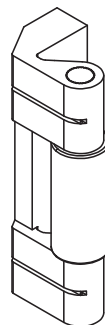
Concealed Hinges



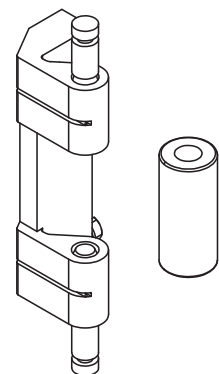
Material

- Housing** : Zinc die, zinc plated
- Welding Part** : Steel, copper plated
- Pin** : Steel, zinc plated

Fixed Model



Removable Model



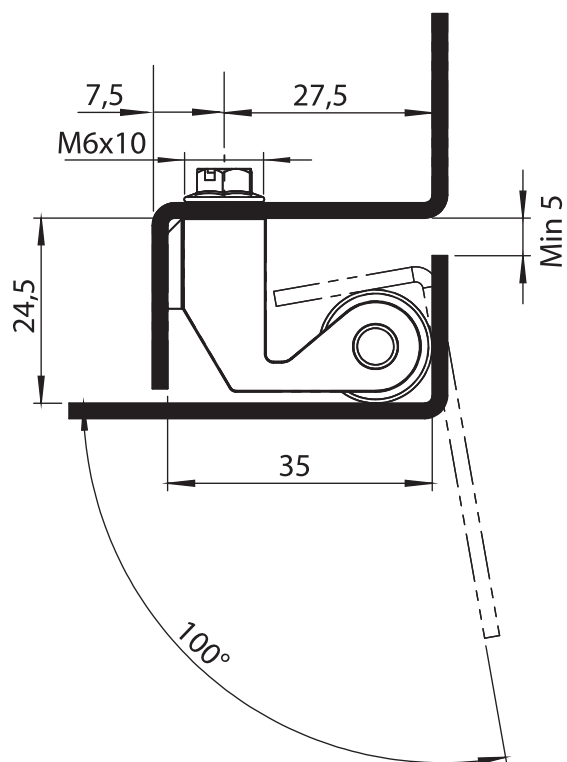
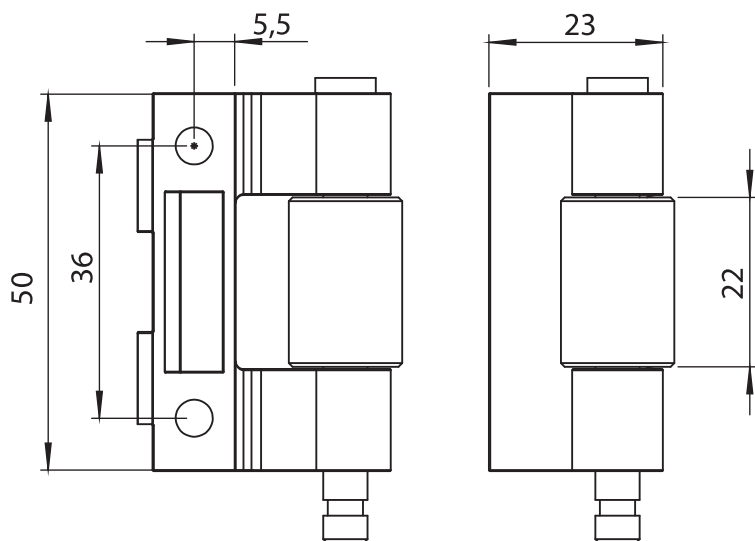
3196 - Fixed Model

	Item Number
Fixing at back	3196 - 350
Fixing in front	3196 - 370

3096 - Removable Model

	Item Number
Fixing at back	3096 - 350
Fixing in front	3096 - 370





3097 -100° Consealed Hinge

	Item Number
Fixing at back	3097 - 350
Fixing in front	3097 - 370



Concealed Hinges

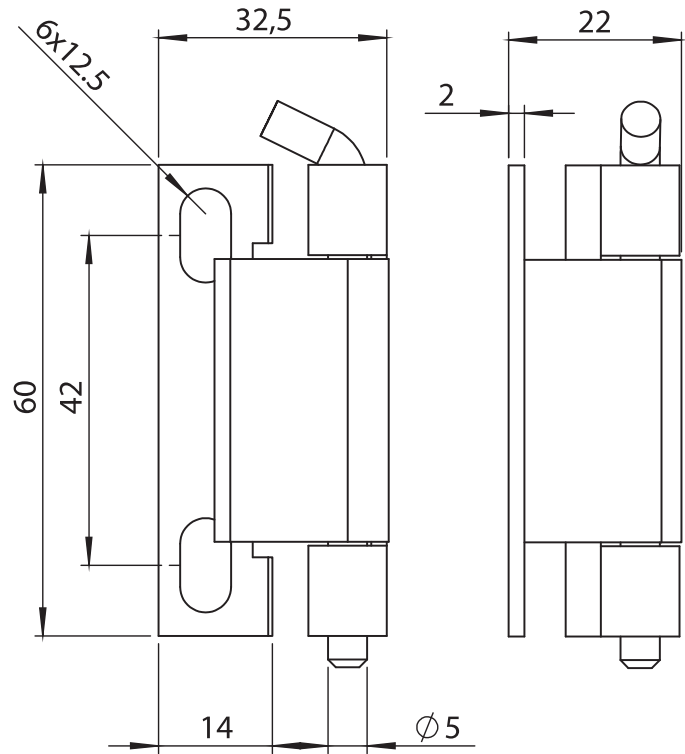
Material

- Housing** : Zinc die, zinc plated
- Welding Part** : Steel, copper plated
- Pin** : Steel, zinc plated

LH/RH



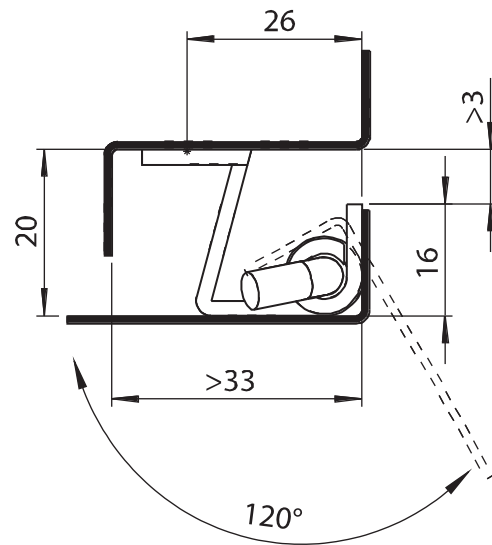
Concealed Hinges



Material

- Housing** : Steel, zinc plated
- Welding Part** : Steel
- Pin** : Steel, zinc plated

• Screws are not included

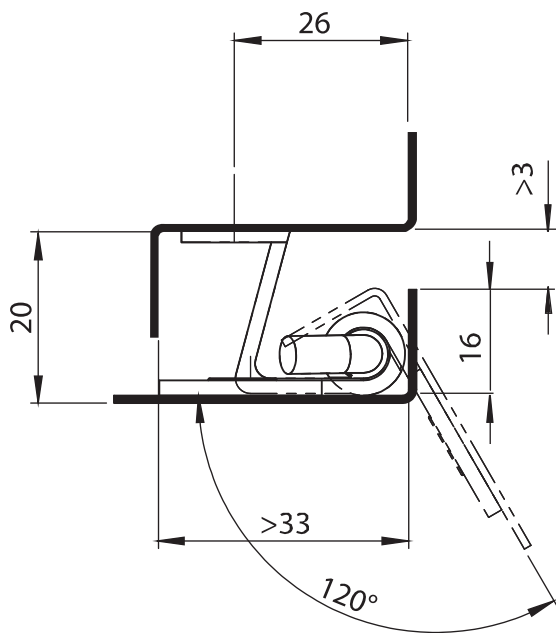
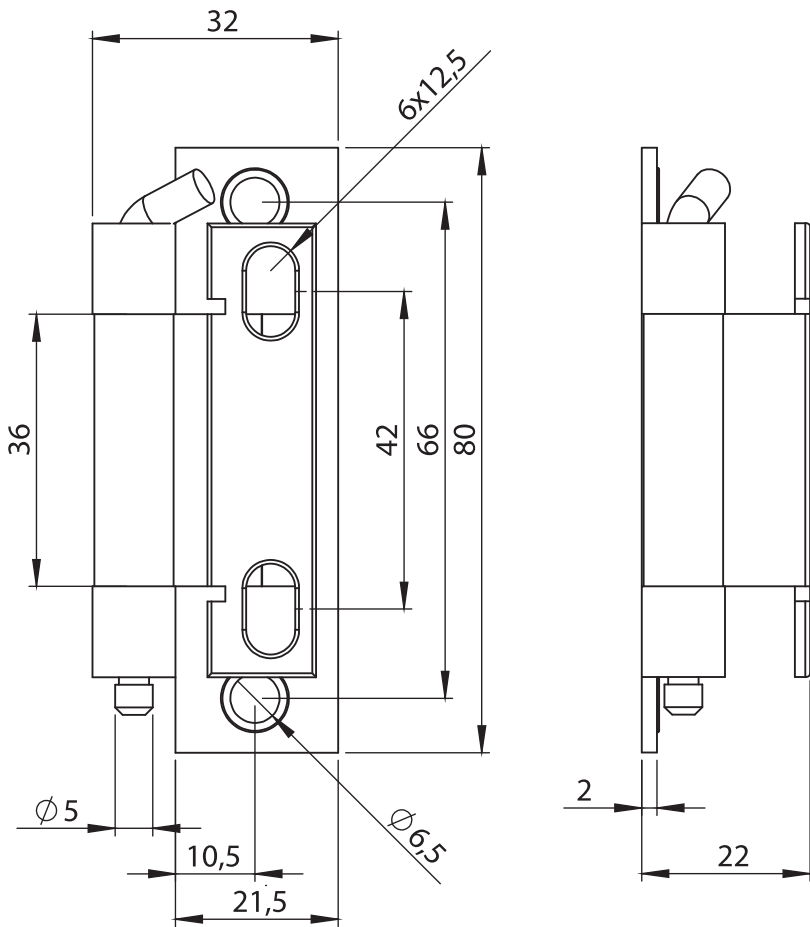


3046 - 120° Hinge

Item Number	3046 - 330
-------------	------------



LH/RH



3045 - 120° Hinge

Item Number	3045 - 330
-------------	------------



Concealed Hinges

Material

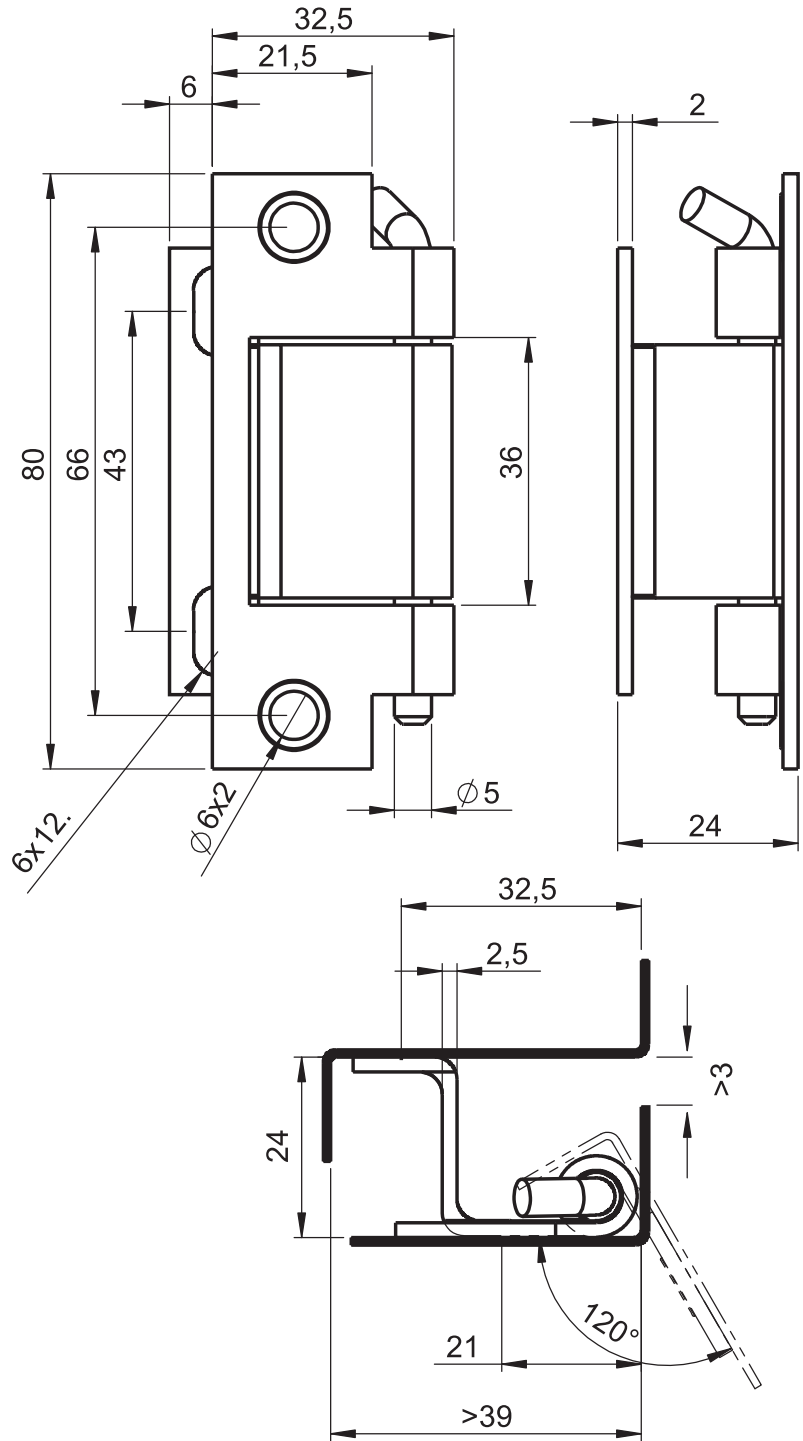
- Housing** : Steel, zinc plated
- Welding Part** : Steel, zinc plated
- Pin** : Steel, zinc plated

• Screws are not included

LH/RH



Concealed Hinges



Material

- Housing** : Steel, zinc plated
- Welding Part** : Steel, zinc plated
- Pin** : Steel, zinc plated

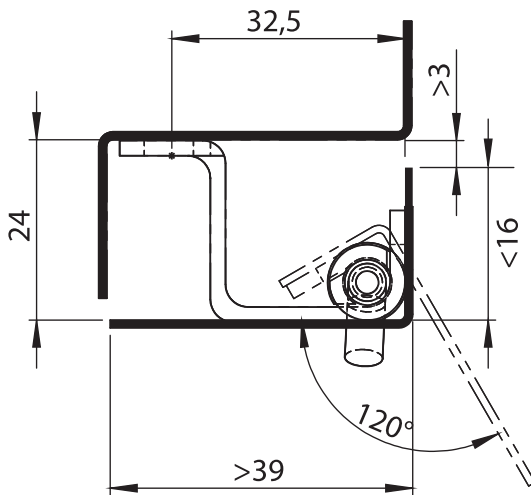
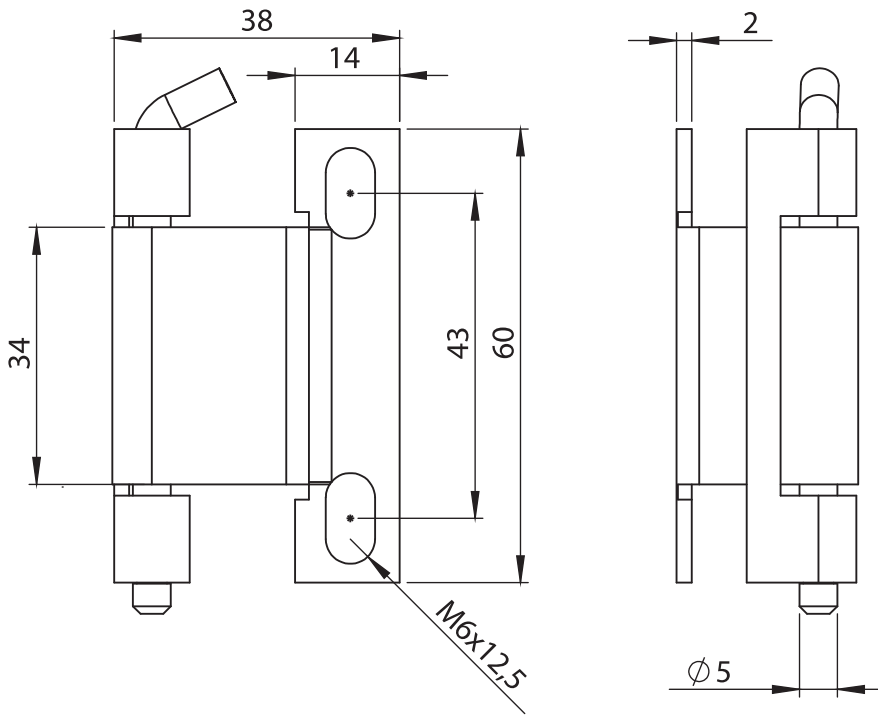
• Screws are not included

3054 - 120° Hinge

Item Number	3054 - 330
-------------	------------



LH/RH



Concealed Hinges

Material

- Housing** : Steel, zinc plated
- Welding Part** : Steel
- Pin** : Steel, zinc plated

• Screws are not included

3044 - 120° Hinge

Item Number	3044 - 330
-------------	------------

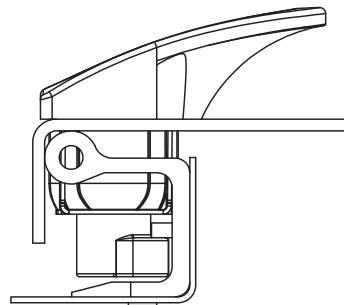
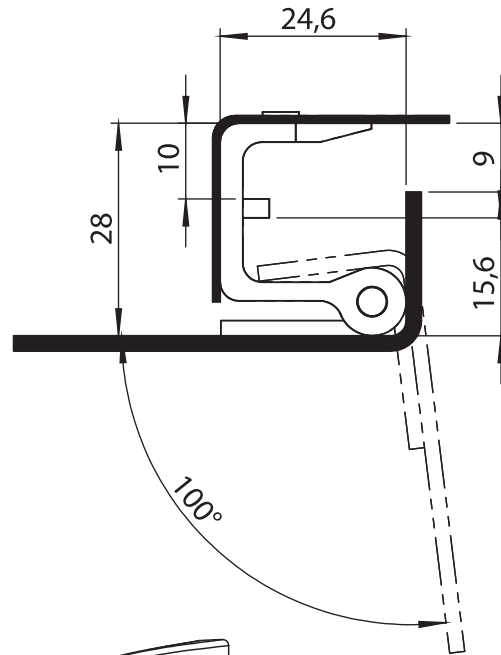
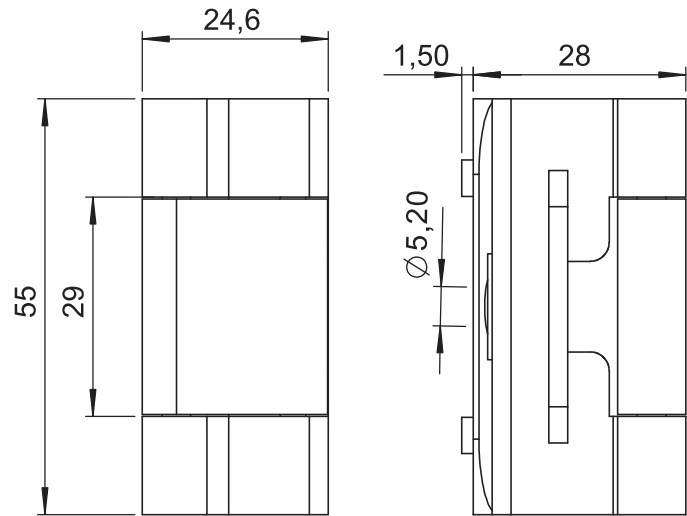
LH/RH





Material

- Housing** : Zinc die, raw
- Welding Part** : Steel, copper plated
- Pin** : Steel, zinc plated

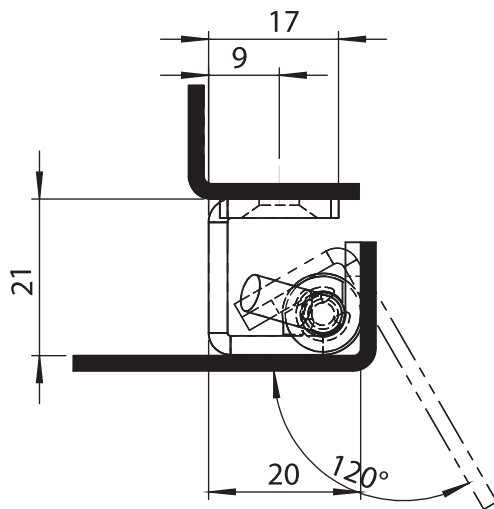
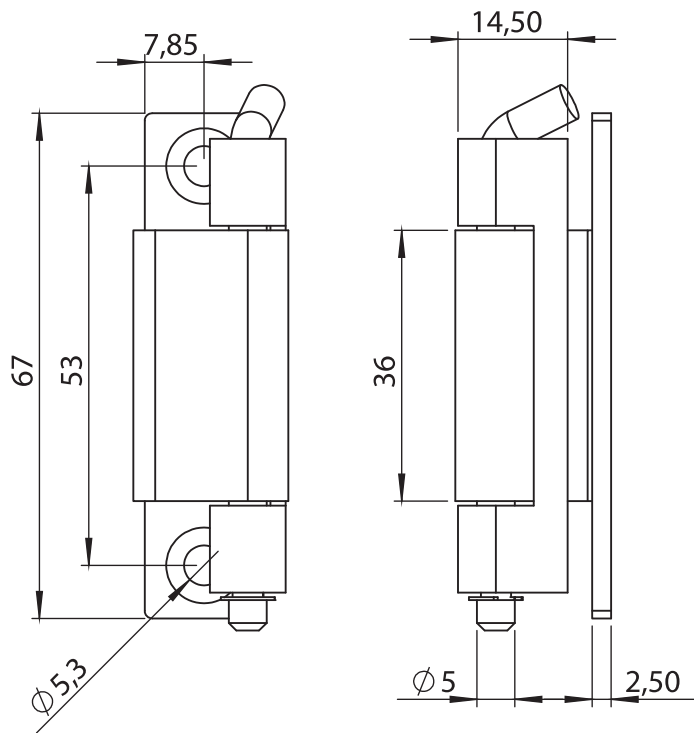


* This hinge can be used for locking quarter turns.
Model no's: 1370 and 1380

3095 - 100° Hinge

Item Number	3095 - 350





Concealed Hinges

Material

- Housing** : Steel, zinc plated
- Welding Part** : Steel
- Pin** : Steel, zinc plated

• Screws are not included

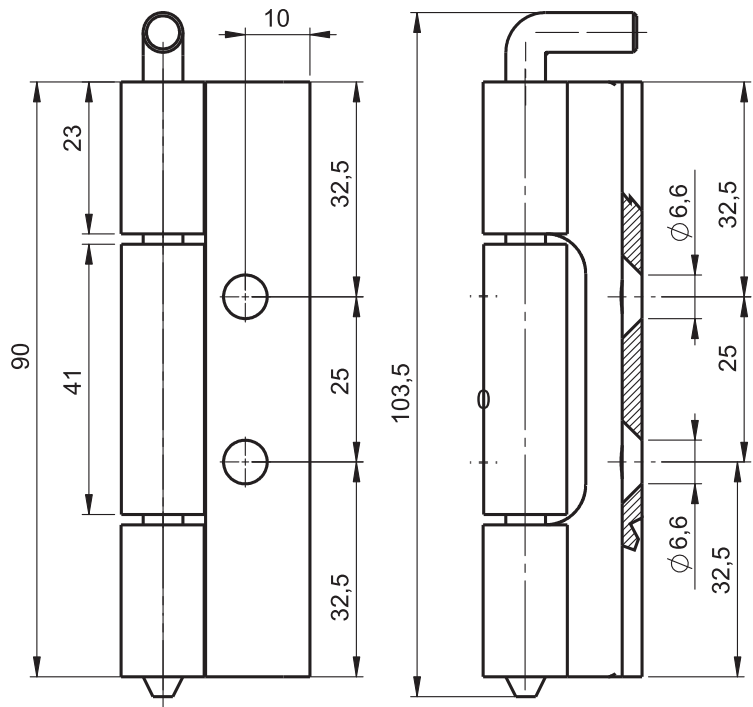
3077 - 120° Hinge

Item Number	
3077 - 330	

LH/RH



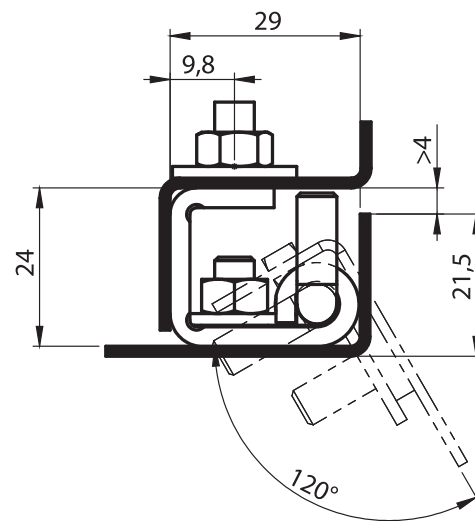
Concealed Hinges



Material

- Housing** : Steel raw or zinc plated
- Welding Part** : Steel
- Pin** : Steel, zinc plated

• Screws are not included

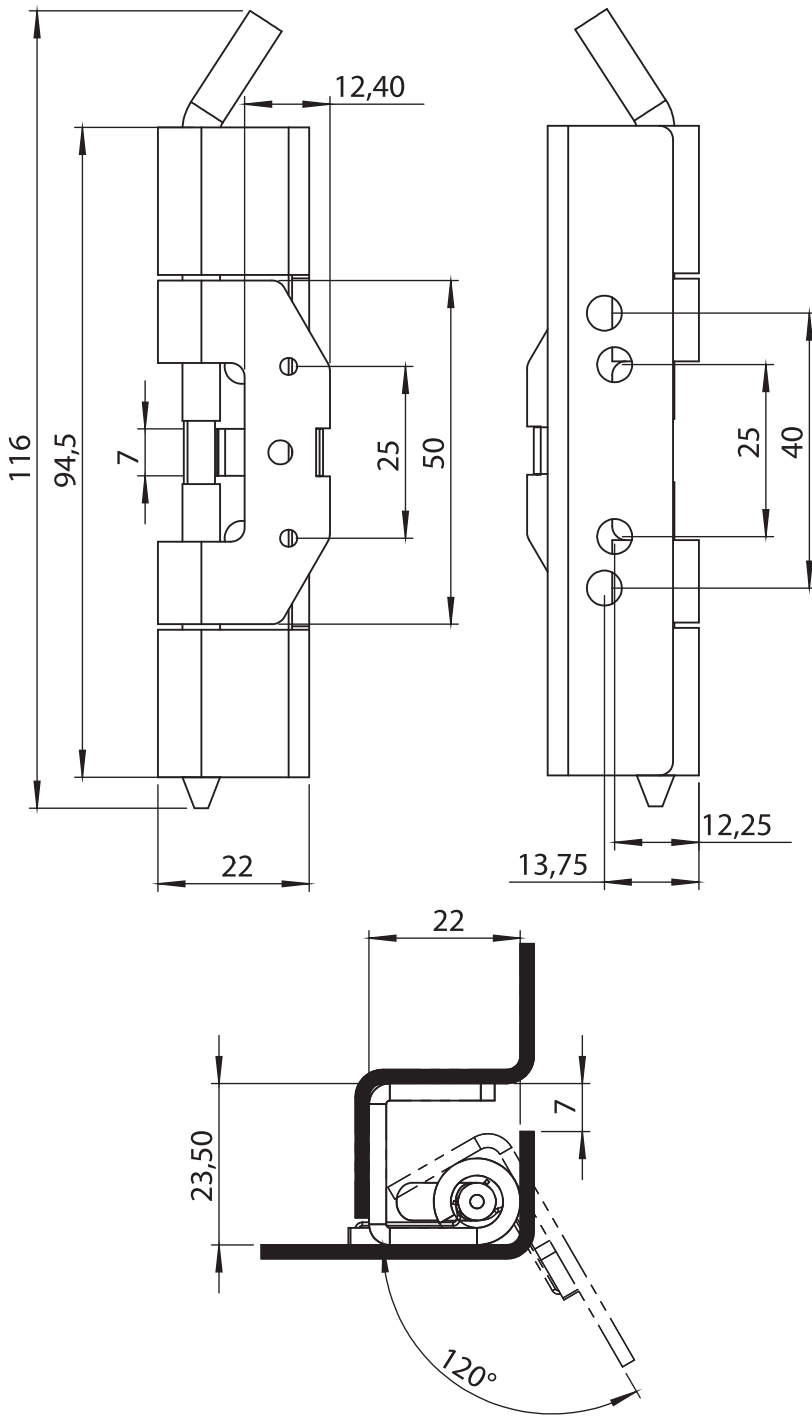


3026 - 120° Hinge

	Raw Steel	Zinc Plated
Item Number	3026 - 300	3026 - 330



LH/RH



Concealed Hinges

Material

- Housing** : Steel, zinc plated
- Welding Part** : Steel raw
- Pin** : Steel, zinc plated
- Pin holder spring** : Spring steel

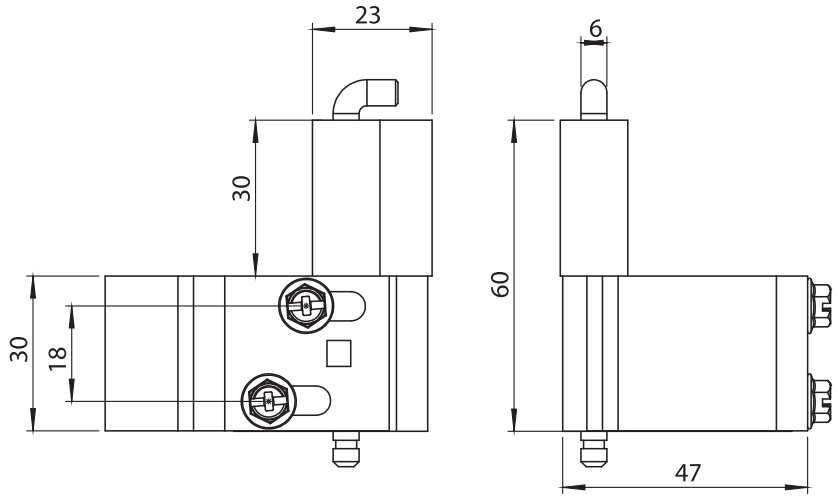
• Screws are not included

3094 - 120° Hinge

Item Number	3094 - 330
-------------	------------

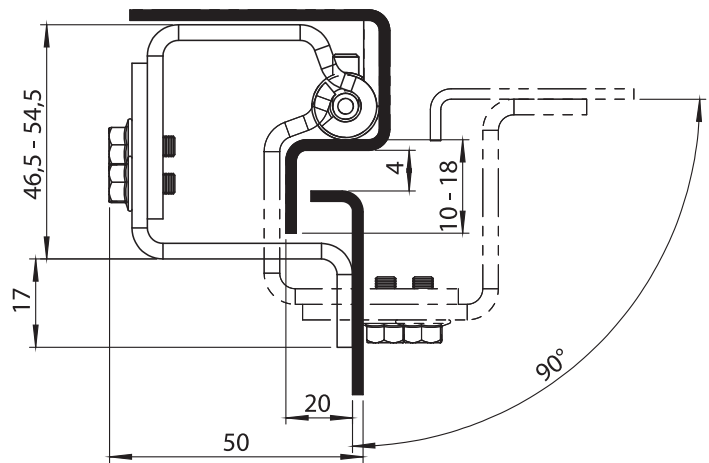


Concealed Hinges



Material

- Housing** : Steel, zinc plated
- Welding Part** : Steel
- Pin** : Steel, zinc plated

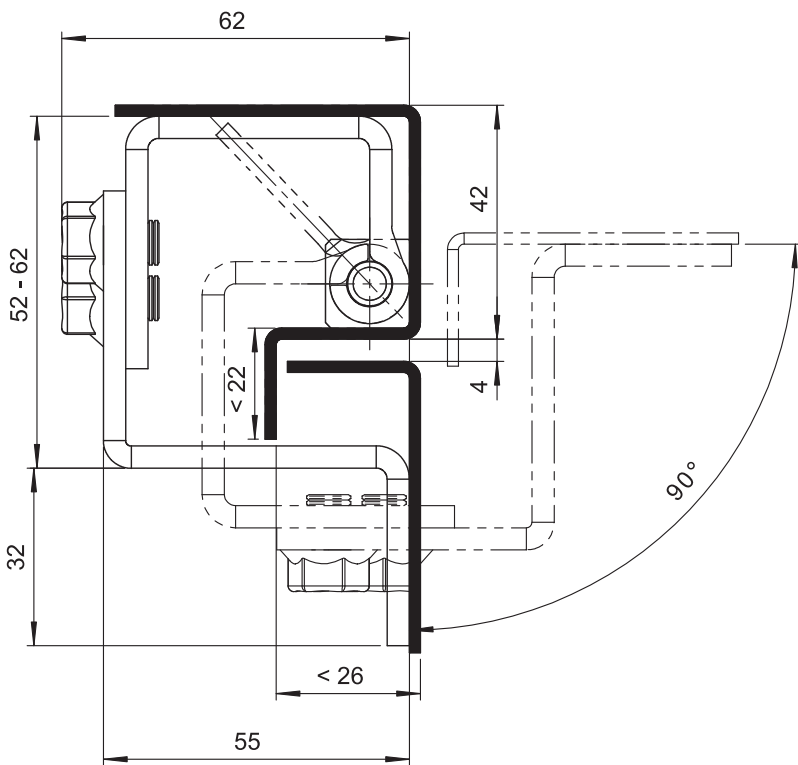
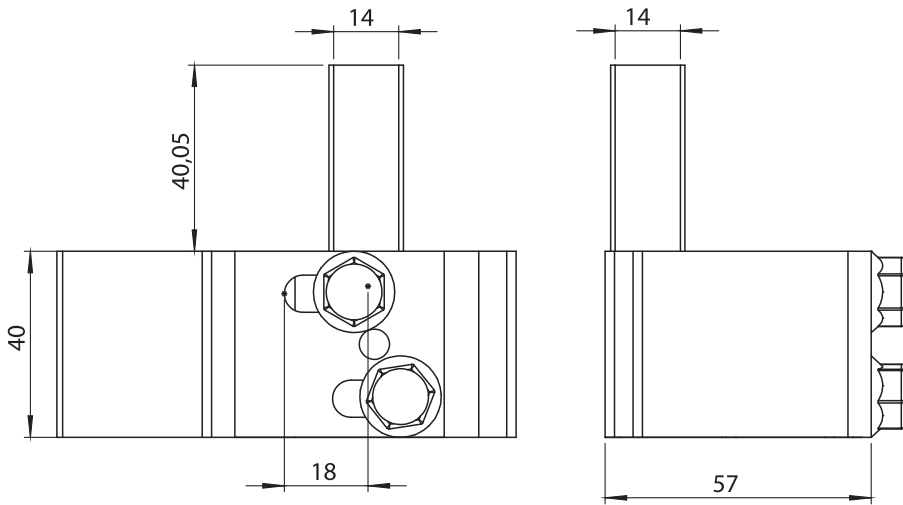


3055 - 90° Hinge

3055 - 90° Hinge	
Item Number	3055 - 330



LH/RH



Concealed Hinges

Material

- Housing** : Steel, zinc plated
- Welding Part** : Steel
- Pin** : Steel, zinc plated

3073 - 90° Hinge

Item Number	3073 - 330
-------------	------------

LH/RH



3076
120° Hinge



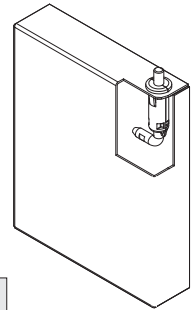
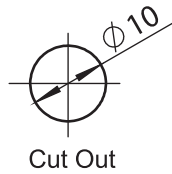
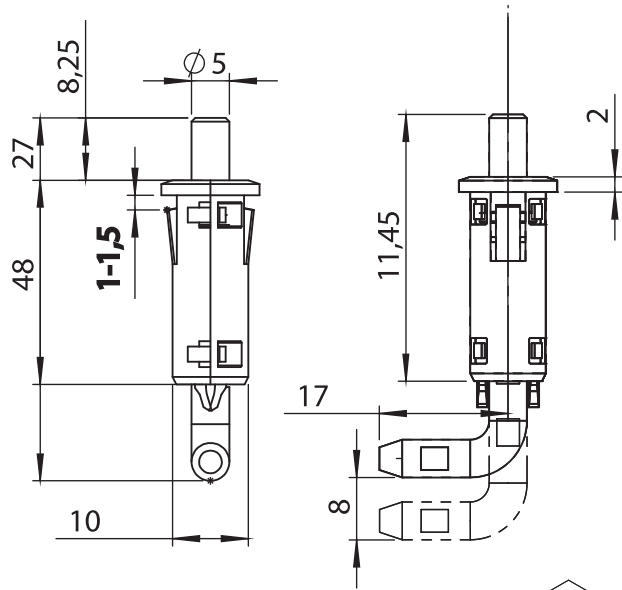
Concealed Hinges

Material

- Housing** : Polyamide (PA6 GFR30), black
- Pin** : Steel, zinc plated
- Spring** : Spring steel



LH/RH



3076 - 120° Hinge

Item Number	3076 - 100
-------------	------------

3028
120° Hinge

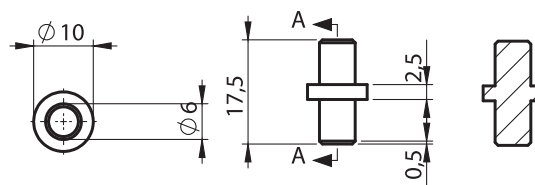
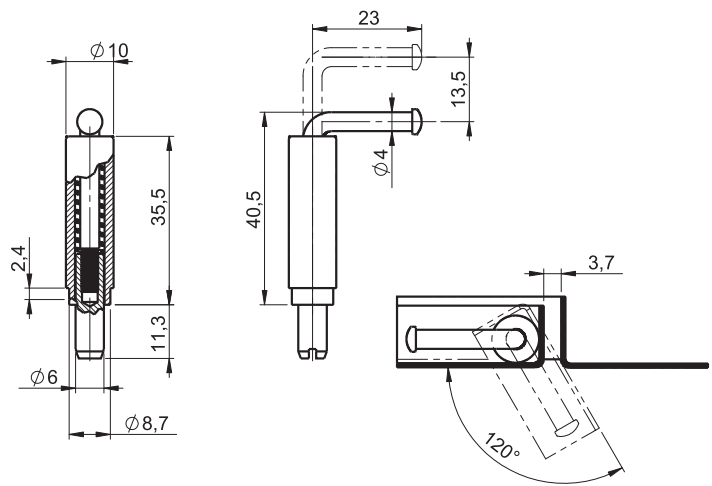


Material

- Housing** : Steel raw
- Pin** : Steel, zinc plated
- Spring** : Spring steel

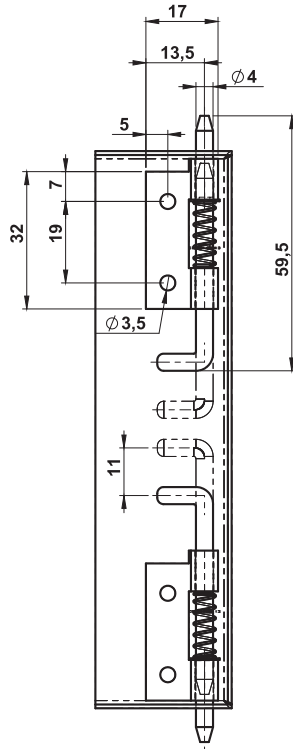


LH/RH



3028 - 120° Hinge

	Hinge	Opposite Part
Item Number	3028 - 400	3028 - 405



3023 - 120° Hinge

	RH	LH
Non Plated	3023 - 300	3024 - 300
Zinc Plated	3023 - 330	3024 - 330

3023
120° Hinge



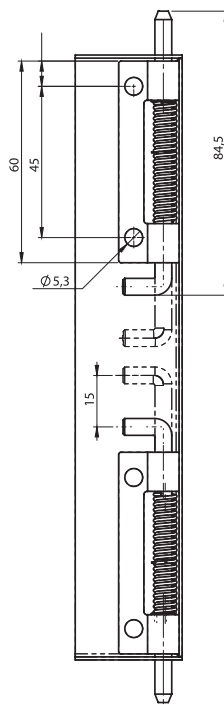
Material

- Housing** : Steel, non plated or zinc plated
- Pin** : Steel, zinc plated
- Spring** : Spring steel

LH/RH



Concealed Hinges



3025 - 120° Hinge

	RH	LH
Non Plated	3025-300	3027-300
Zinc Plated	3025-330	3027-330

3025
120° Hinge



Material

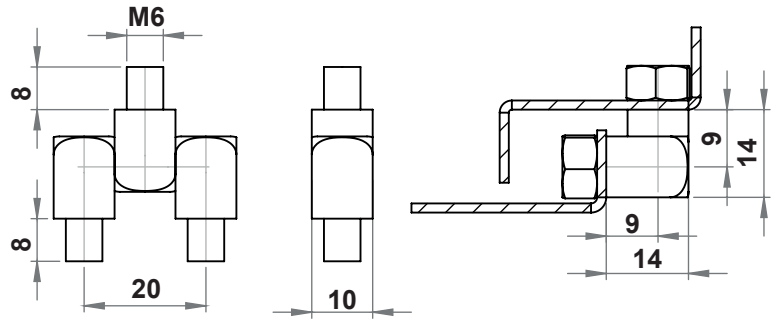
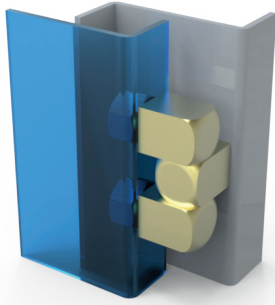
- Housing** : Steel, non plated or zinc plated
- Pin** : Steel, zinc plated
- Spring** : Spring steel

LH/RH



SIDE HINGES

3085
180° Side Hinge (10 mm)



MATERIAL

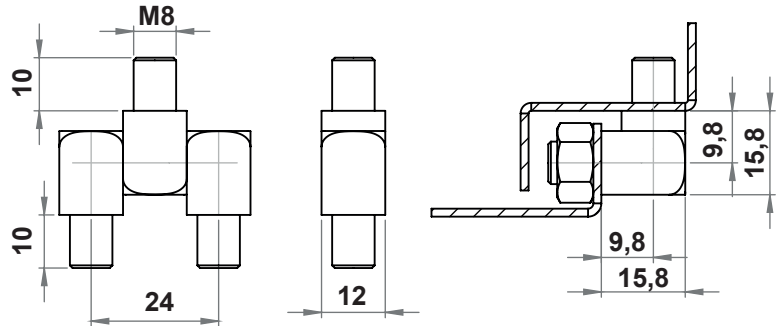
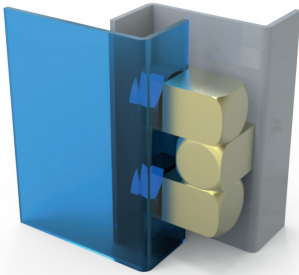
Housing : Brass, raw or nickel plated

3085 - 180° Hinge

	Raw	Nickel Plated
Item Number	3085 - 400	3085 - 430

Side Hinges

3086
180° Side Hinge (12 mm)



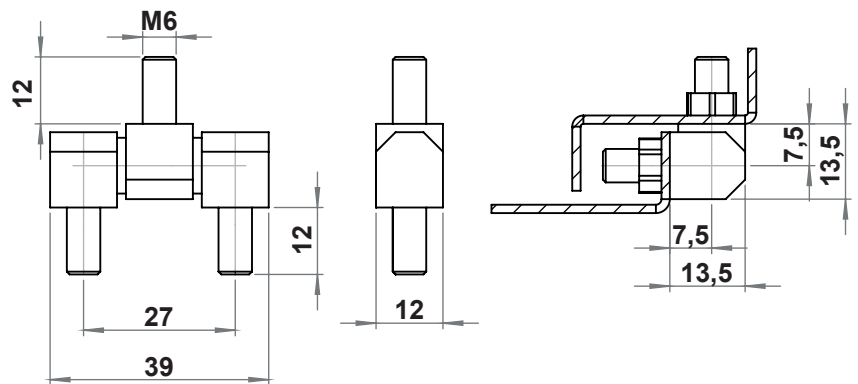
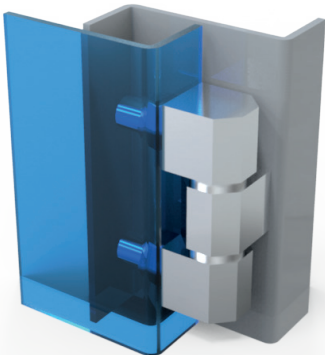
MATERIAL

Housing : Brass, raw or nickel plated

3086 - 180° Hinge

	Raw	Nickel Plated
Item Number	3086 - 400	3086 - 450

3031
180° Side Hinge (12 mm)

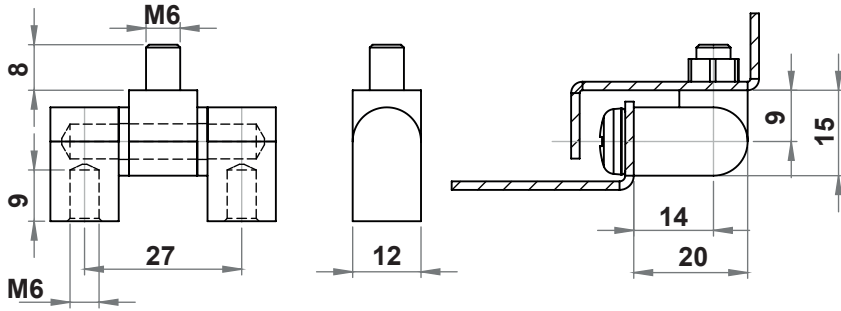


MATERIAL

Housing : Brass, raw or chrome plated

3031 - 180° Hinge

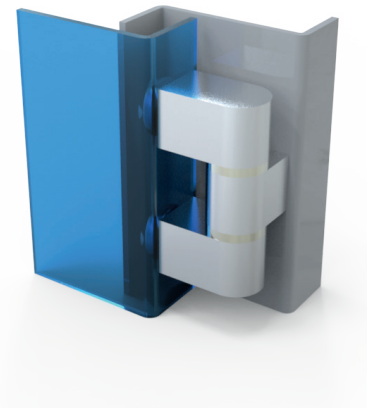
	Raw	Chrome Plated
Item Number	3031 - 400	3031 - 430



3231 - Hinge

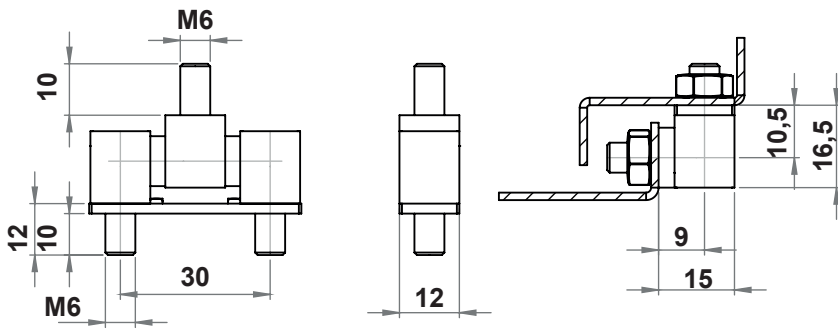
Item Number	3231 - 400
-------------	------------

**3231
Side Hinge**



MATERIAL

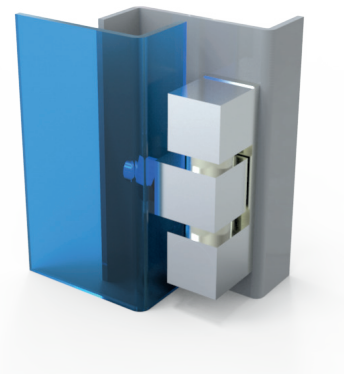
Housing : Brass, raw or chrome plated



3087 - Hinge

	Raw	Chrome Plated
90° M6	3093 - 406	3093 - 436
90° M8	3093 - 408	3093 - 438
180° M6	3087 - 406	3087 - 436
180° M8	3087 - 408	3087 - 438

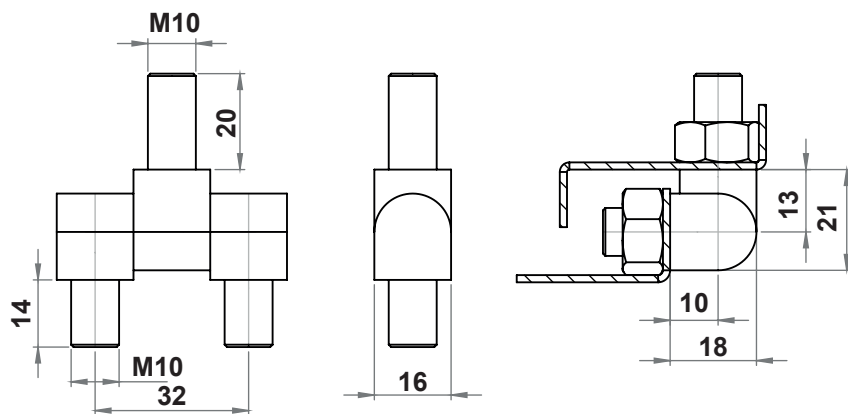
**3087
Side Hinge (12 mm)**



MATERIAL

Housing : Brass, raw or chrome plated
Pin : Brass, chrome plated

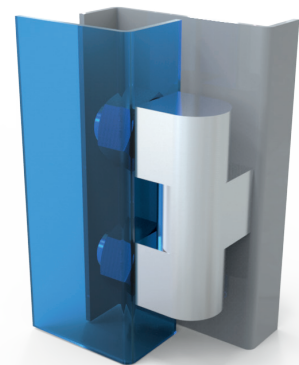
Side Hinges



3089 - 180° Hinge

	Raw	Chrome Plated
Item Number	3089 - 400	3089 - 430

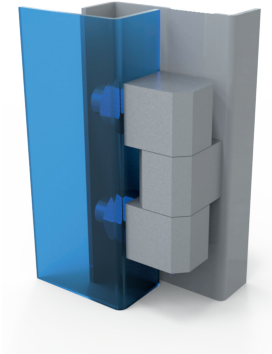
**3089
180° Side Hinge (16 mm)**



MATERIAL

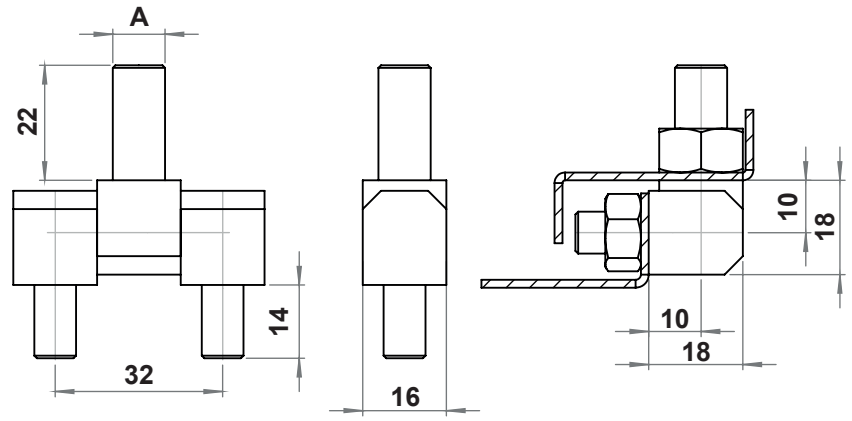
Housing : Brass, raw or chrome plated
Pin : Brass, chrome plated

3090
180° Side Hinge (22 mm)



MATERIAL

Housing : Steel, zinc plated
Pin : Steel, zinc plated

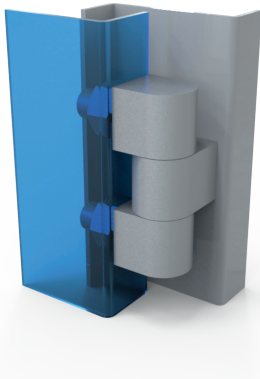


3090 - 180° Hinge

	A=M8	A=M10
Item Number	3090 - 445	3090 - 440

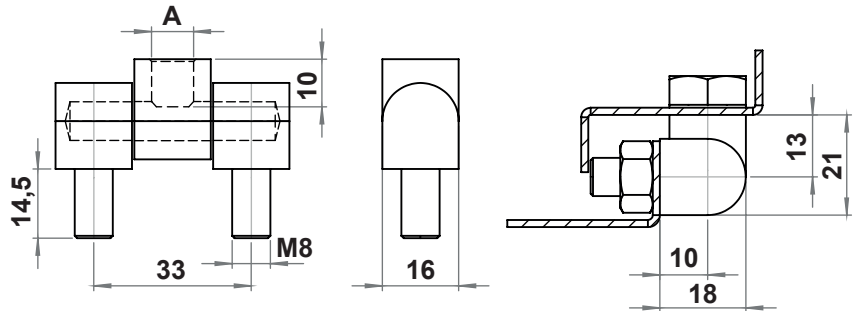
Side Hinges

3033
180° Side Hinge



MATERIAL

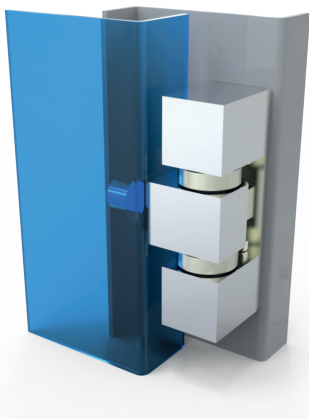
Housing : Steel, zinc plated
Pin : Steel, zinc plated



3033 - 180° Hinge

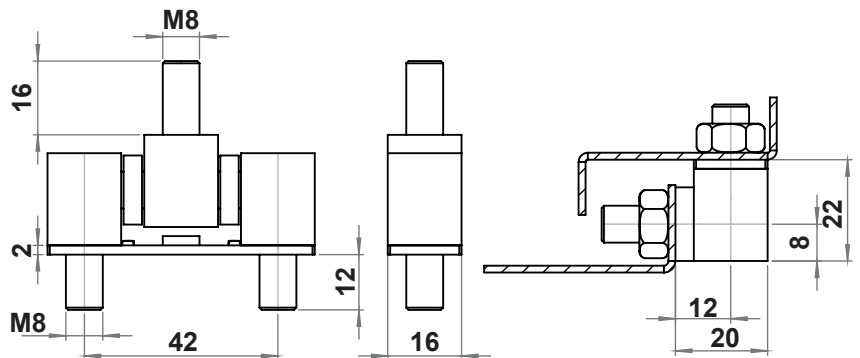
	A=M8	A=M10
Item Number	3033 - 445	3033 - 440

3088
100° Side Hinge (16 mm)



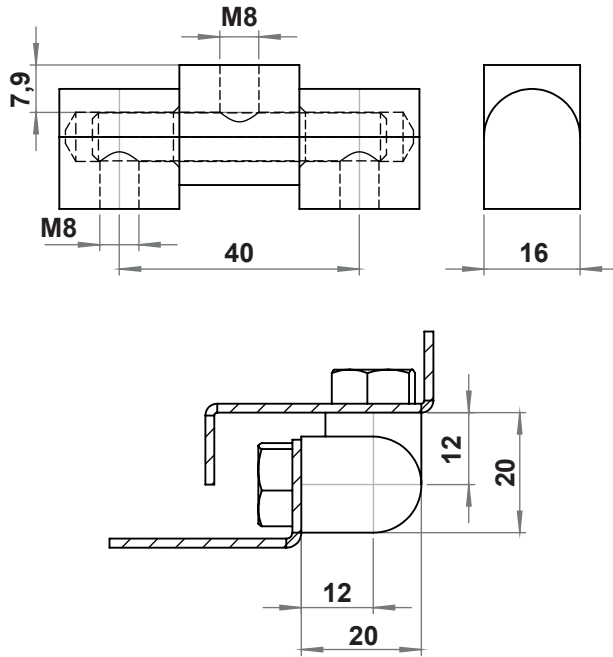
MATERIAL

Housing : Brass, raw or chrome plated
Pin : Brass, chrome plated



3088 - 100° Hinge

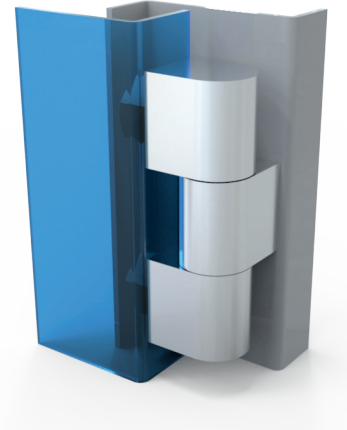
	Raw	Chrome Plated
Item Number	3088 - 408	3088 - 438



3091 - 180° Hinge

Item Number	3091 - 430
-------------	------------

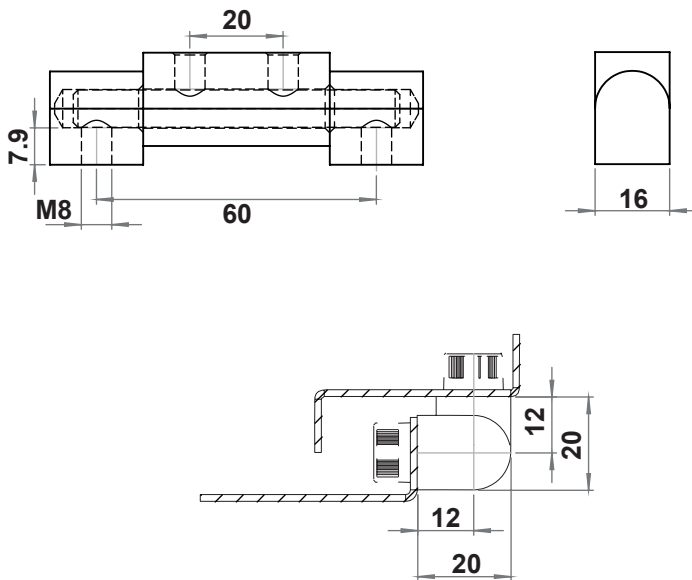
**3091
180° Hinge**



MATERIAL

Housing : Brass, zinc plated
Pin : Brass, zinc plated

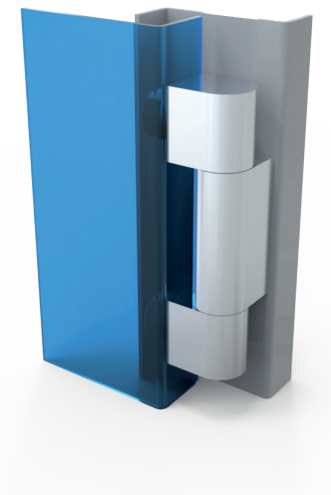
Side Hinges



3092 - 180° Hinge

	Brass, Chrome Plated	Steel, Chrome Plated
Item Number	3092 - 430	3092 - 440

**3092
180° Hinge**



MATERIAL

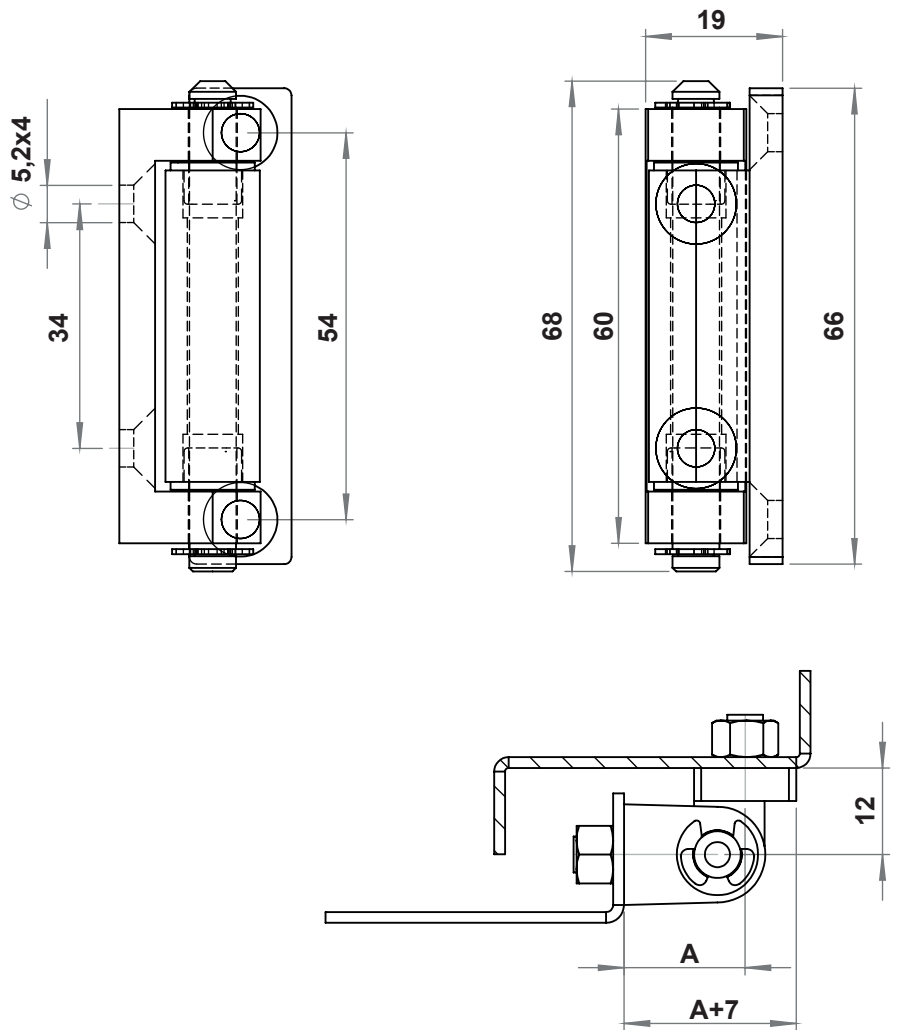
Housing : Brass, chrome plated / Steel, zinc plated
Pin : Brass, chrome plated / Steel, zinc plated



Side Hinges

MATERIAL**Housing** : Zinc die, chrome plated or black coated**Pin** : Steel, zinc plated**Washer** : Polyamide (PA)**OPTIONS**

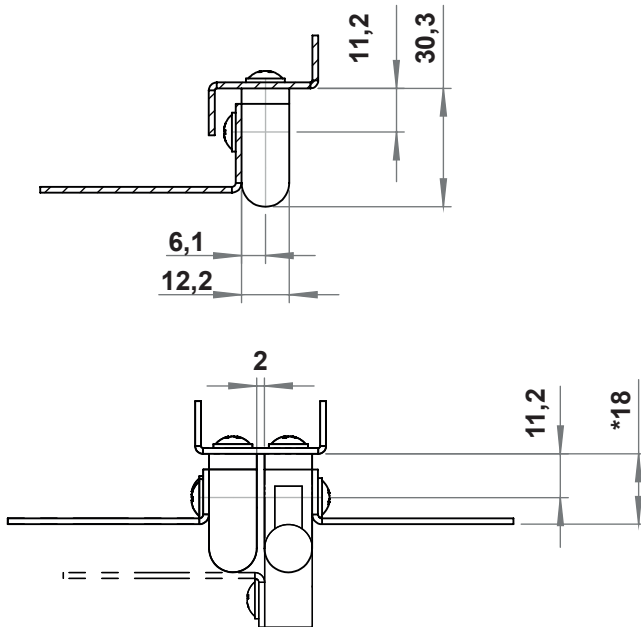
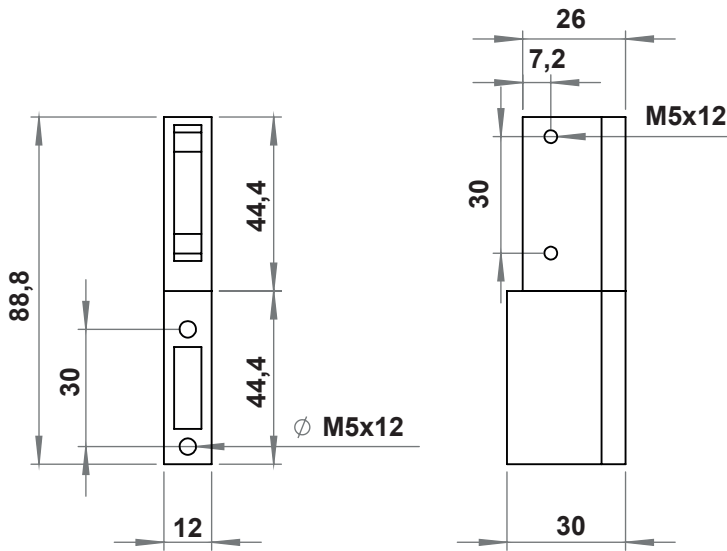
Stainless steel version available.

**3008 - 180° Hinge**

	Black Plated	Chrome Plated
A=13,5 mm	3008 - 210	3008 - 220
A=23,5 mm	3082 - 210	3082 - 220



LH/RH

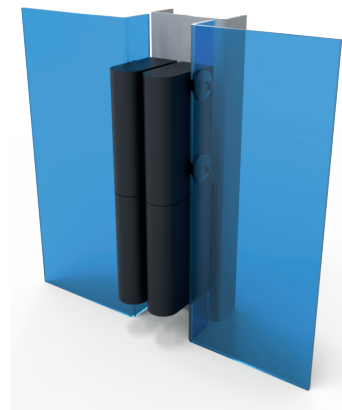


* This dimension will be between 18-23,5mm.
If it is 18mm, door will open 180°.



MATERIAL

Housing : Zinc die, chrome plated or black coated
Pin : Steel, zinc plated



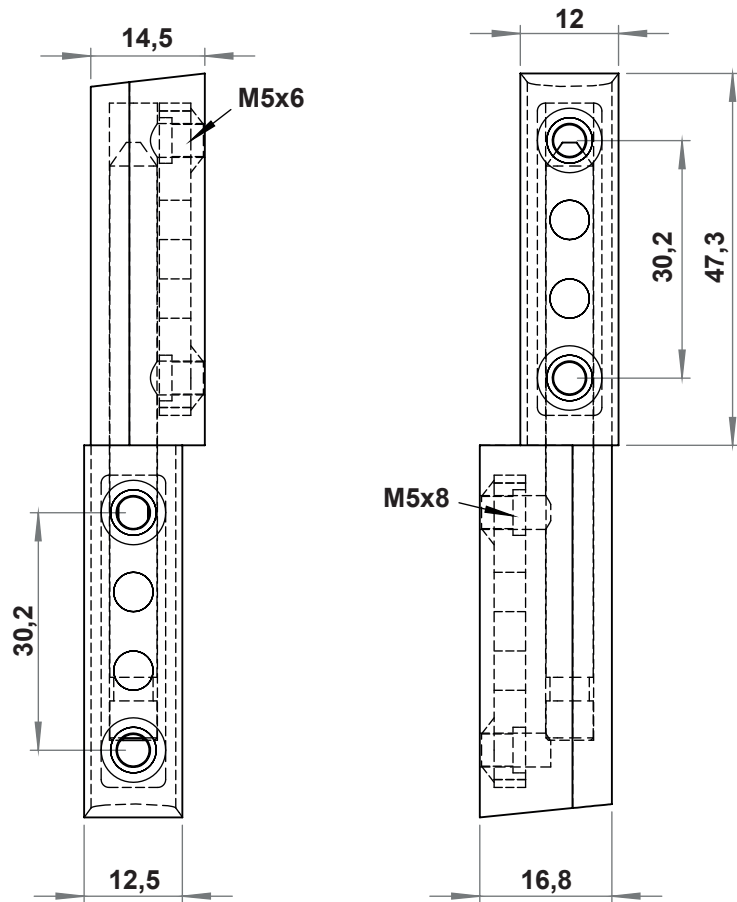
3074 - 180° Side Hinge (Lift-Off)

	Black Plated	Chrome Plated
Item Number	3074 - 210	3074 - 220



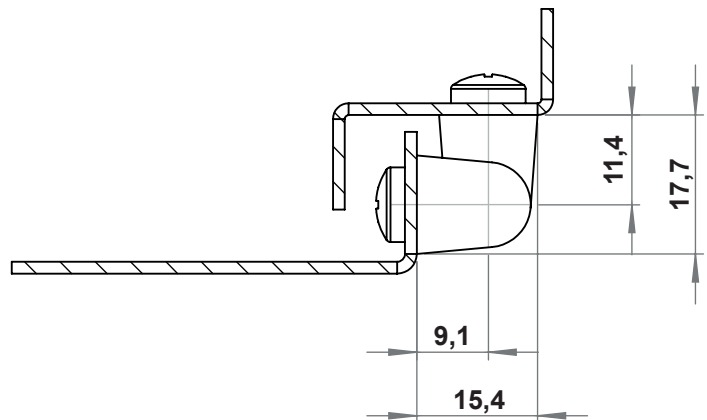
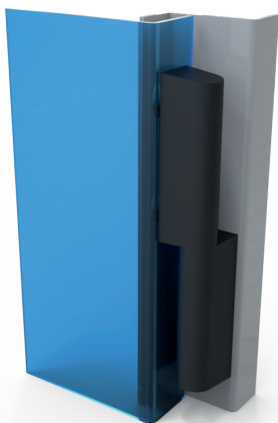
LH/RH





MATERIAL

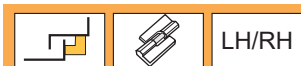
Housing : Polyamide (PA6 GFR30), black
 Pin : Steel, zinc plated

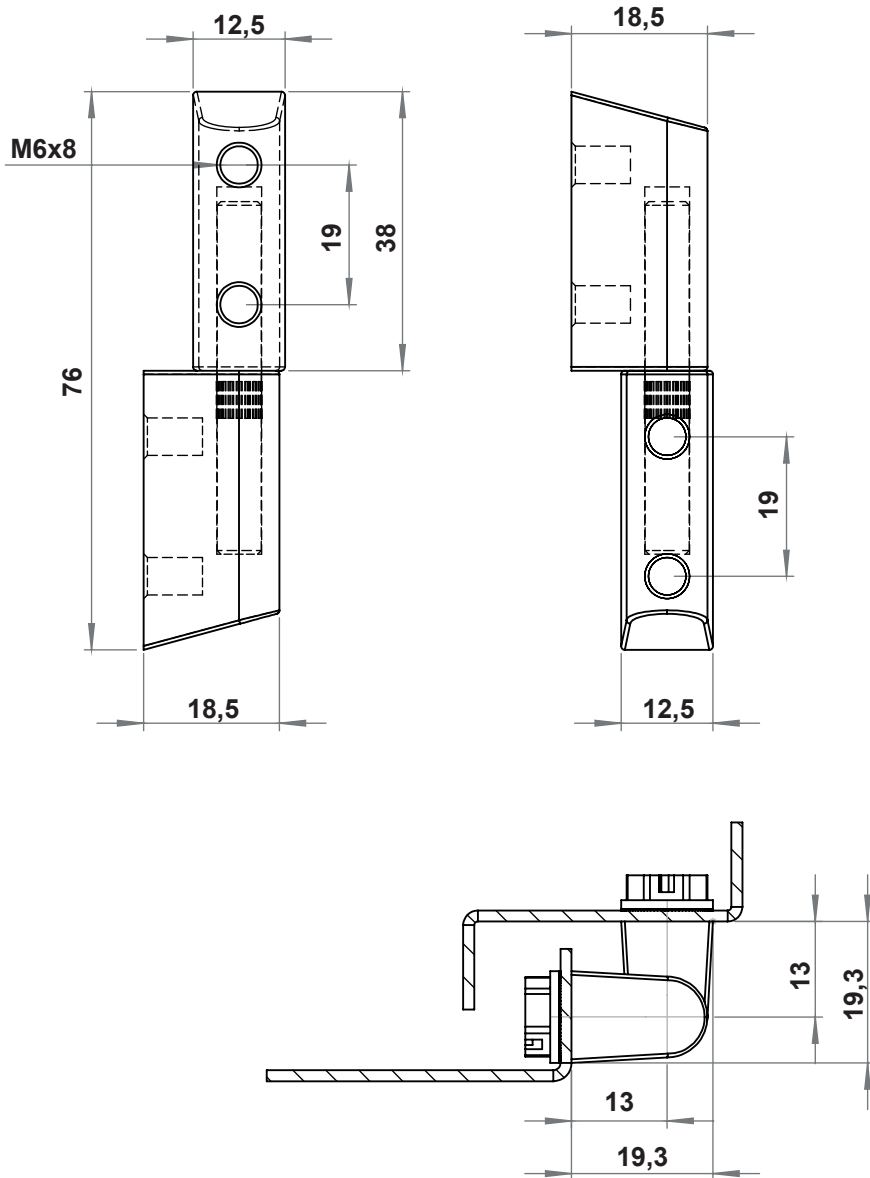


* Attention! The screws should not touch the pin.

3068 - 180° Side Hinge (Lift-Off)

Item Number	3068 - 100
-------------	------------





Side Hinges

MATERIAL

Housing : Stainless steel AISI 316

Pin : Steel, zinc plated



3125 - 180° Side Hinge (Lift-Off)

Item Number	3125 - 500
-------------	------------



LH/RH



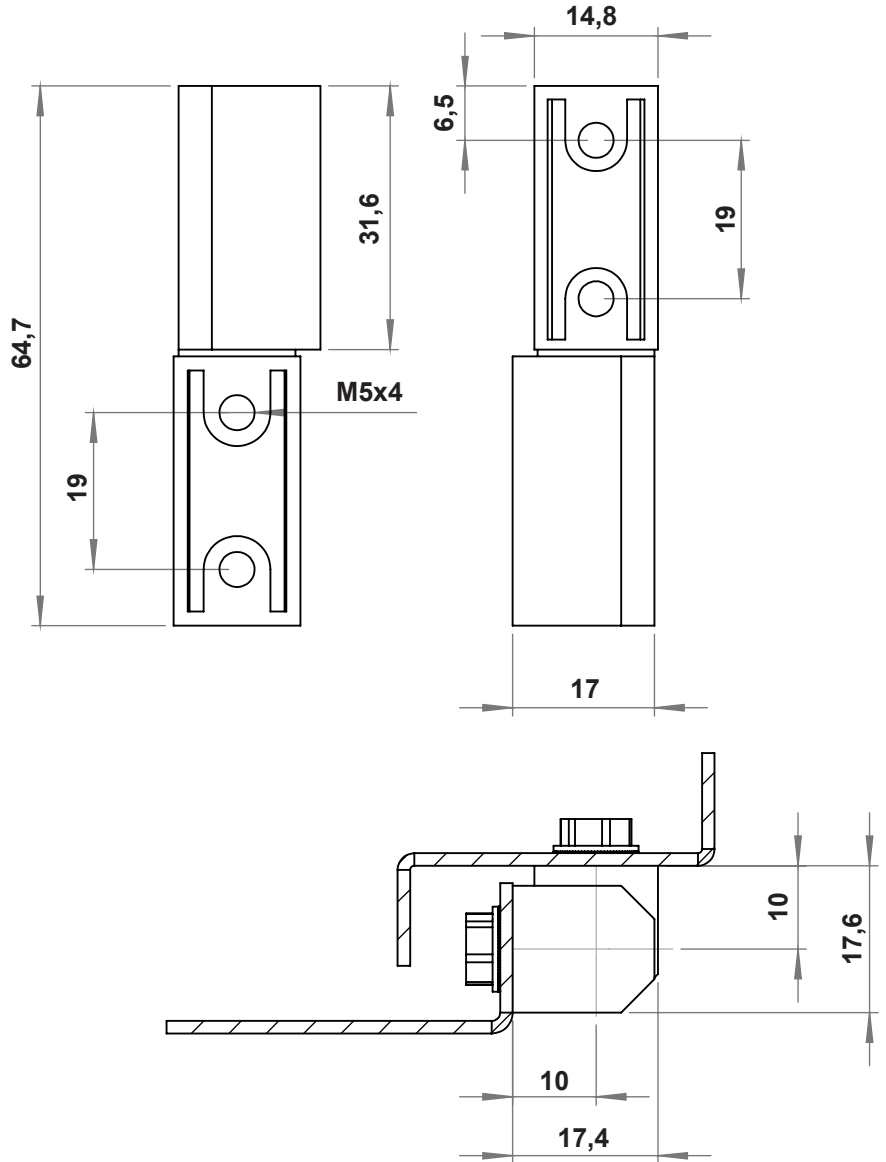
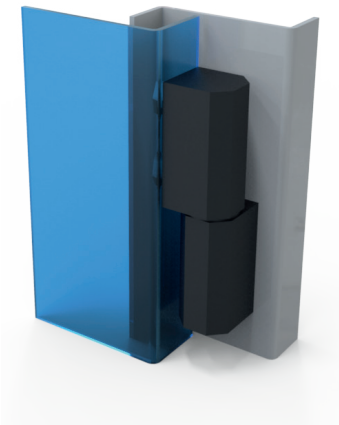


MATERIAL

Housing : Zinc die, chrome plated or black coated
Pin : Steel, zinc plated

OPTIONS

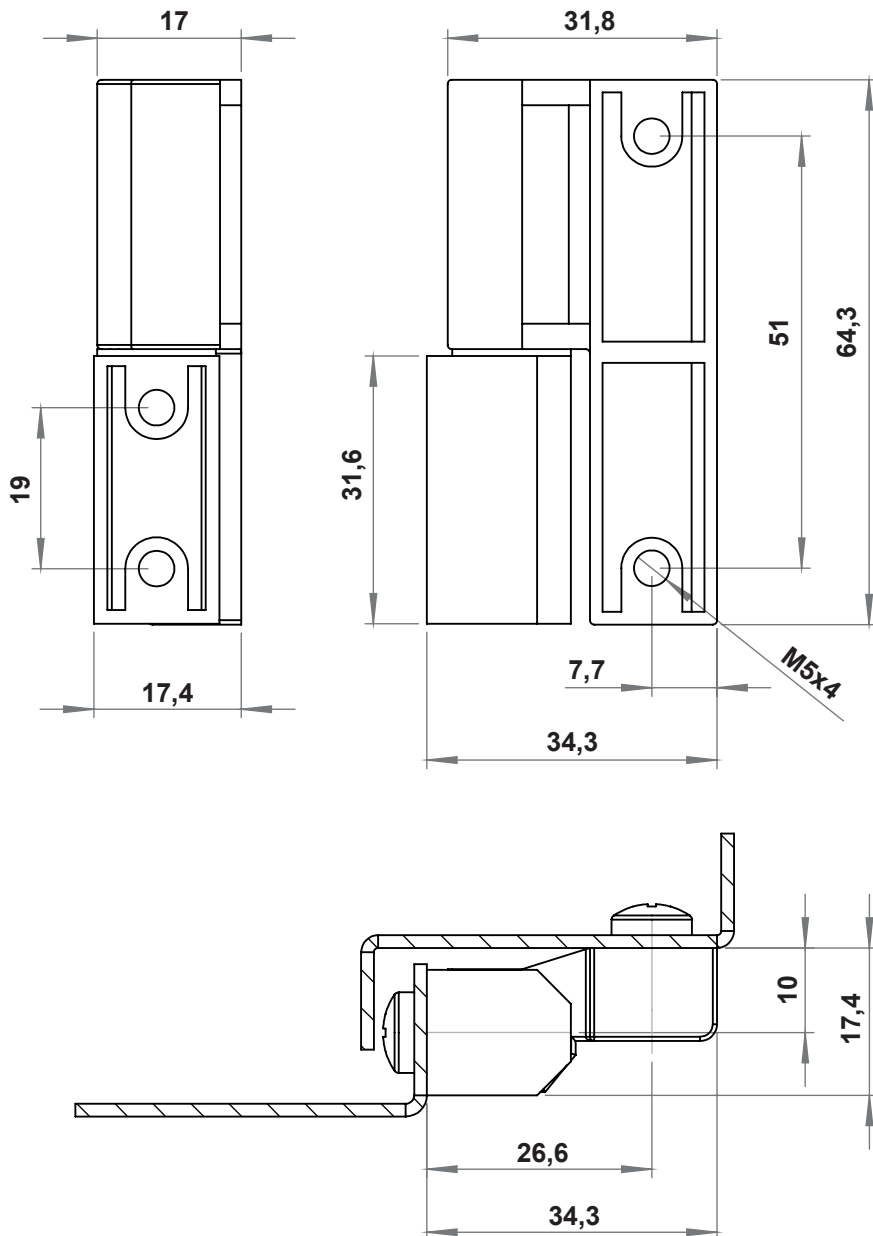
Stainless steel version available.



3067 - 180° Side Hinge (Lift-Off)

	Black Coated	Chrome Coated
Item Number	3067 - 210	3067 - 220

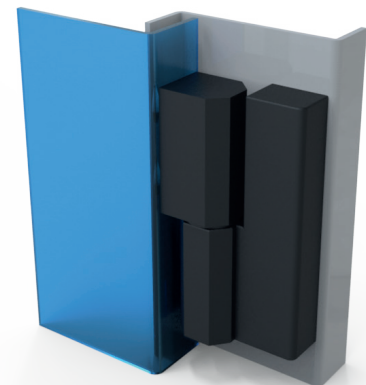




Side Hinges

MATERIAL

Housing : Zinc die, chrome plated or black coated
 Pin : Steel, zinc plated



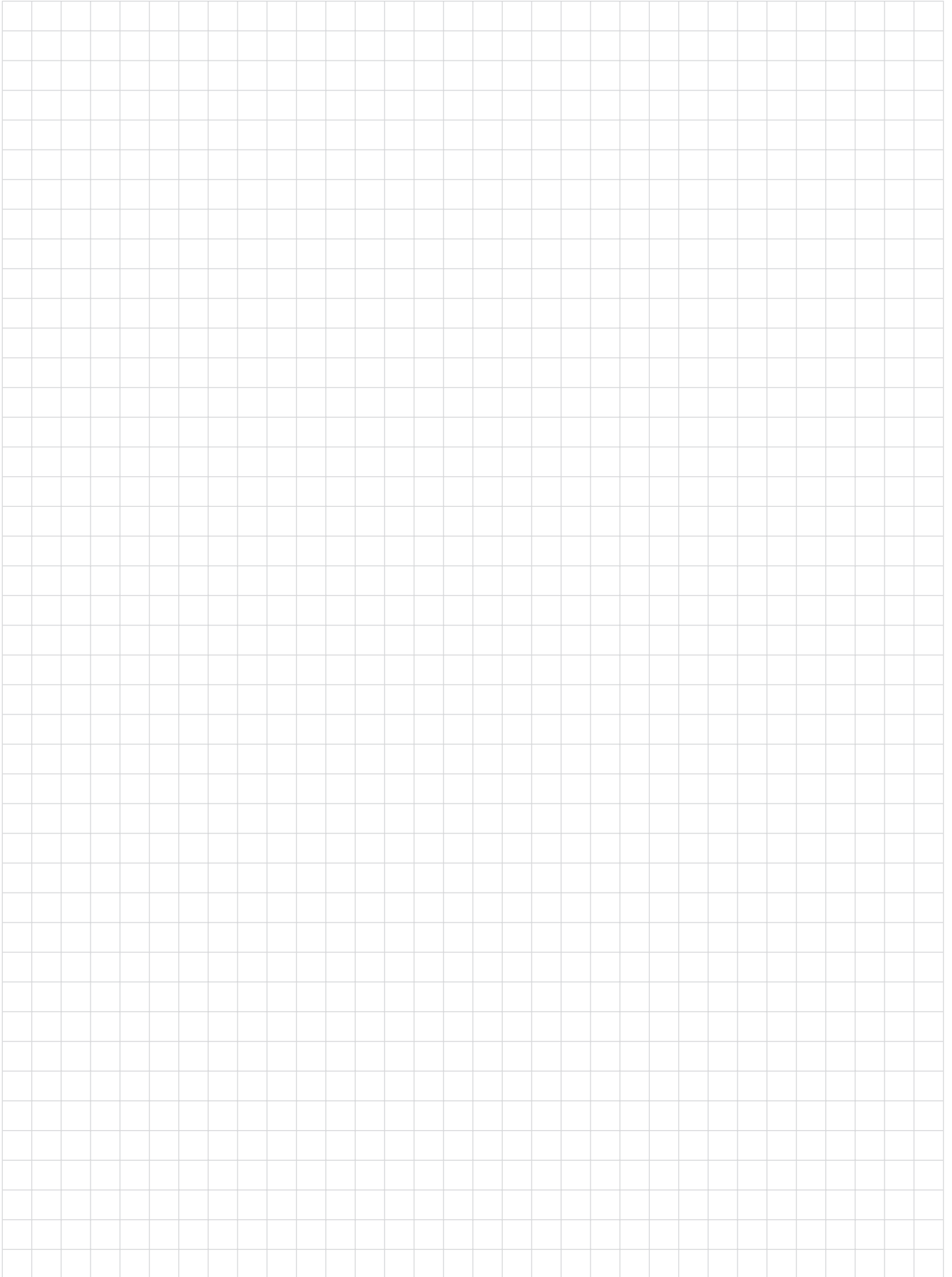
3071 - 90° Side Hinge (Lift-Off)

	Raw	Black Coated	Chrome Coated
Door RH version	3071 - 200	3071 - 210	3071 - 220
Door LH version	3171 - 200	3171 - 210	3171 - 220



LH/RH





8 - Corner Hinges



Page 202



Page 203



Page 204



Page 205



Page 206



Page 208



Page 210



Page 212



Page 214

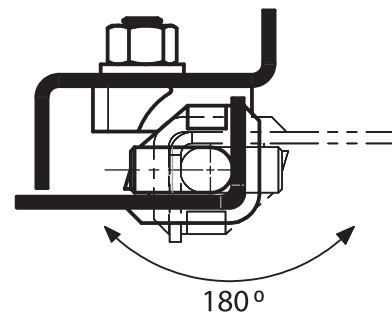
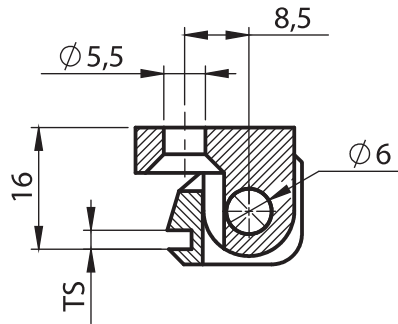
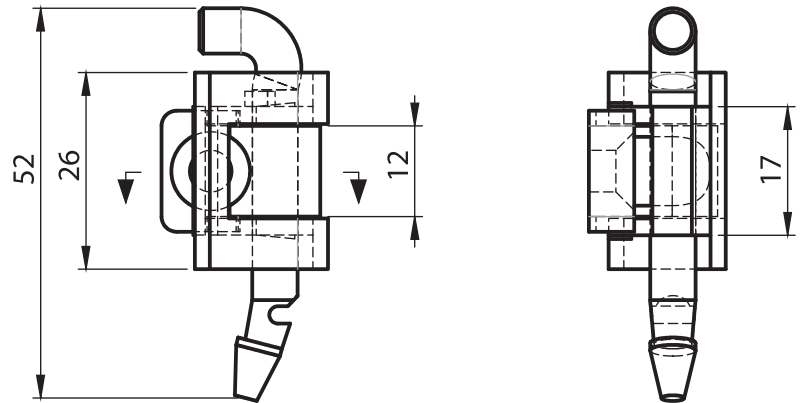


Page 216

Corner Hinges



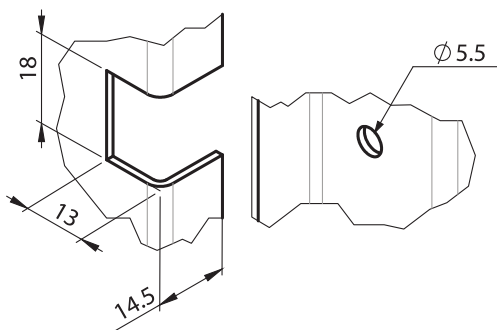
3038
180° Hinge



Material

Housing : Polyamide (PA)
Pin : Polyamide (PA) or steel, zinc plated

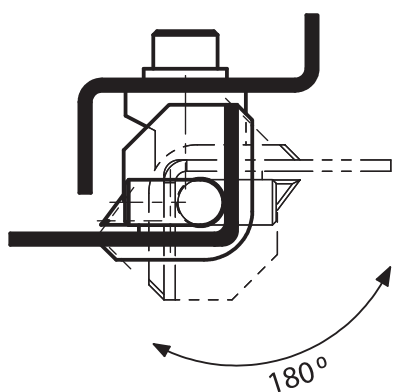
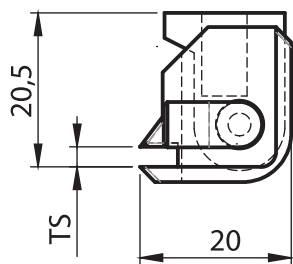
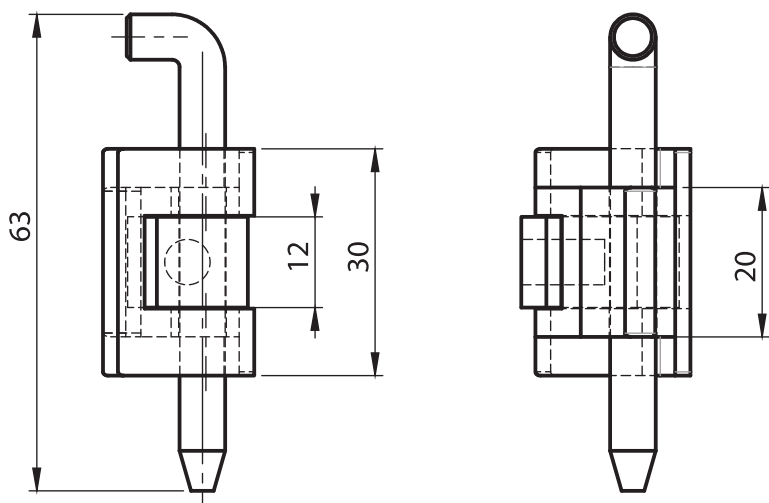
Cut Out



3003 - 180° Hinge

TS	With Plastic Pin	With Steel Pin
1mm - 1,25 mm	3003 - 100	3003 - 105
1,5mm - 2 mm	3004 - 100	3004 - 105





3006 - 180° Hinge

TS	Black Coated	Chrome Plated
1mm - 1,25 mm	3037 - 210	3037 - 220
1,5mm - 2 mm	3006 - 210	3006 - 220



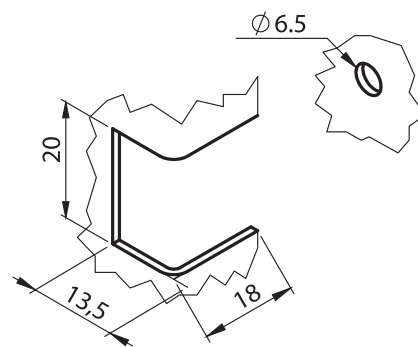
Corner Hinges

Material

Housing : Zinc die, chrome plated or black coated

Pin : Steel, zinc plated

Cut Out



LH/RH



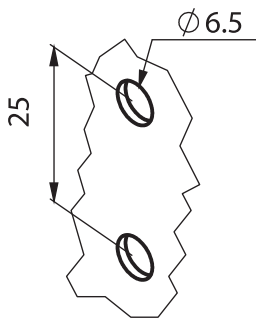
Corner Hinges



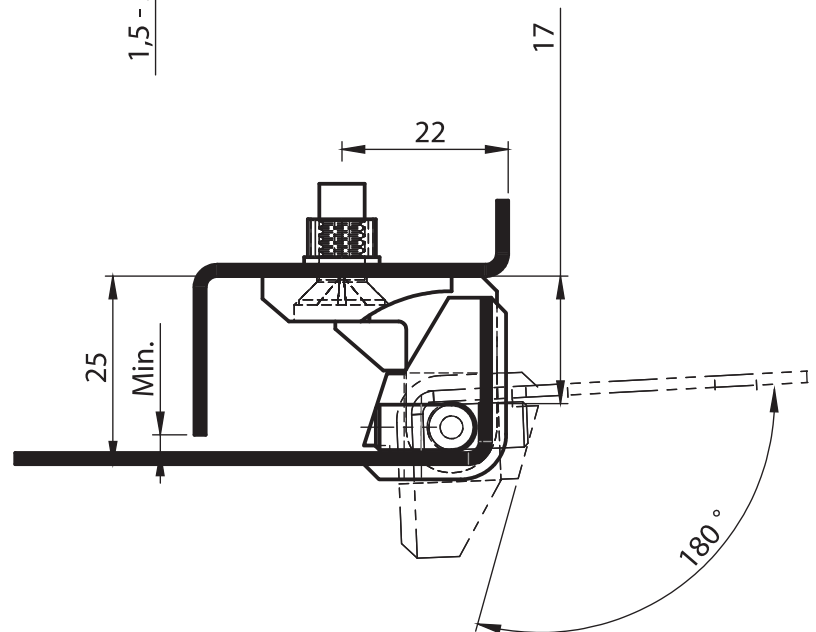
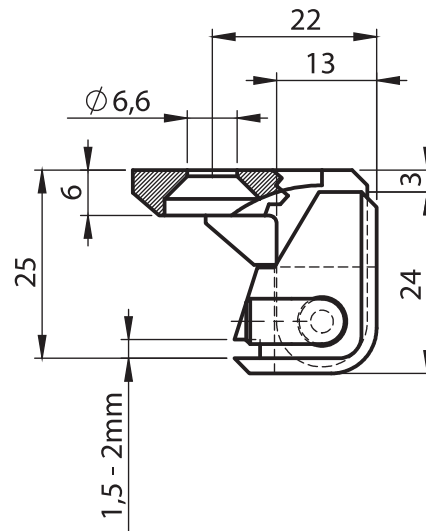
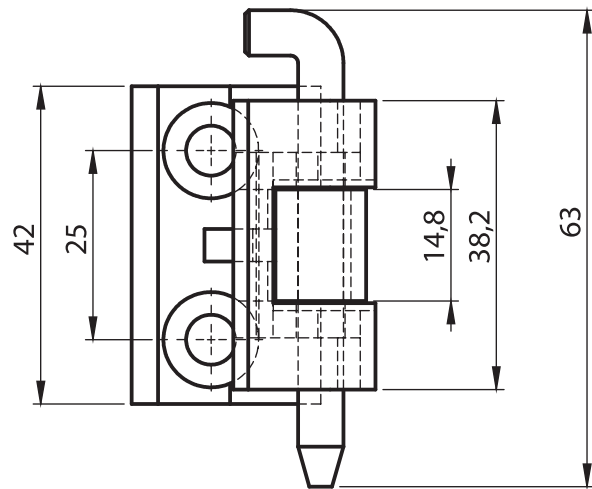
Material

- Housing** : Zinc die, chrome plated or black coated
- Pin** : Steel, zinc plated

Cut Out

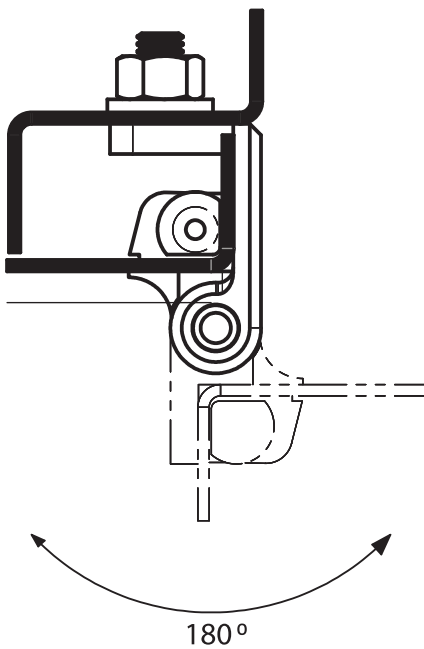
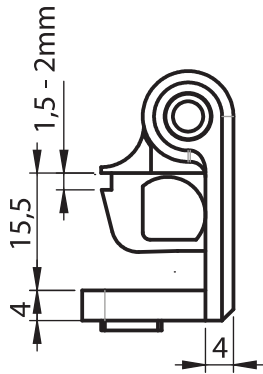
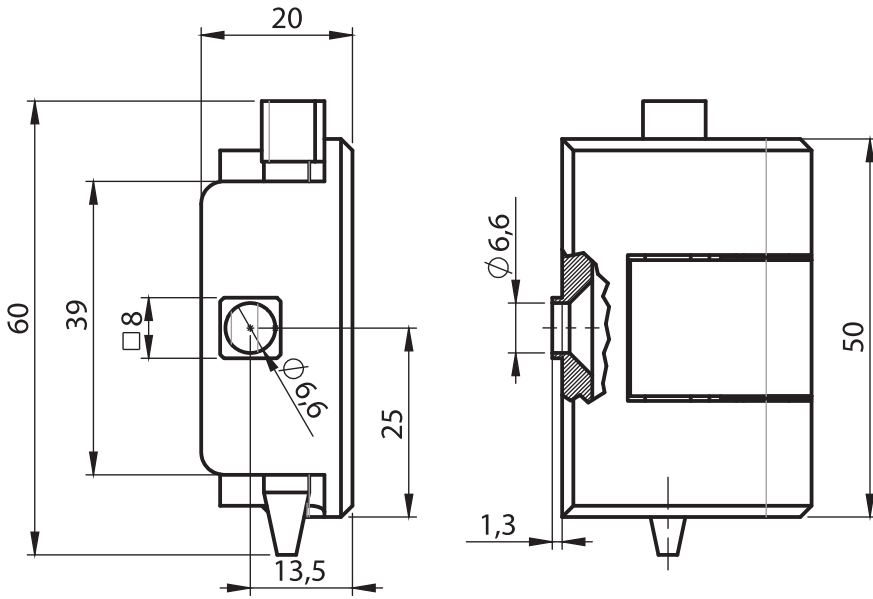


LH/RH



3005 - 180° Hinge

	Black Coated	Chrome Plated
Item Number	3005 - 210	3005 - 220



3002 - 180° Hinge

	Black Coated	Chrome Plated
Item Number	3002 - 210	3002 - 220



Corner Hinges

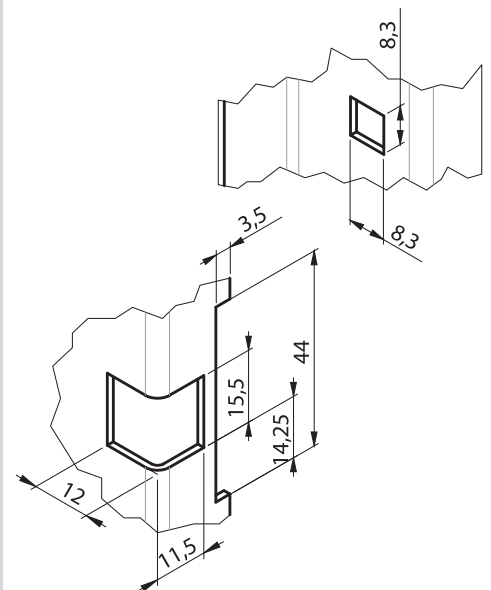
Material

Housing : Zinc die, chrome plated or black coated

Pin : Steel and Polyamide (PA)

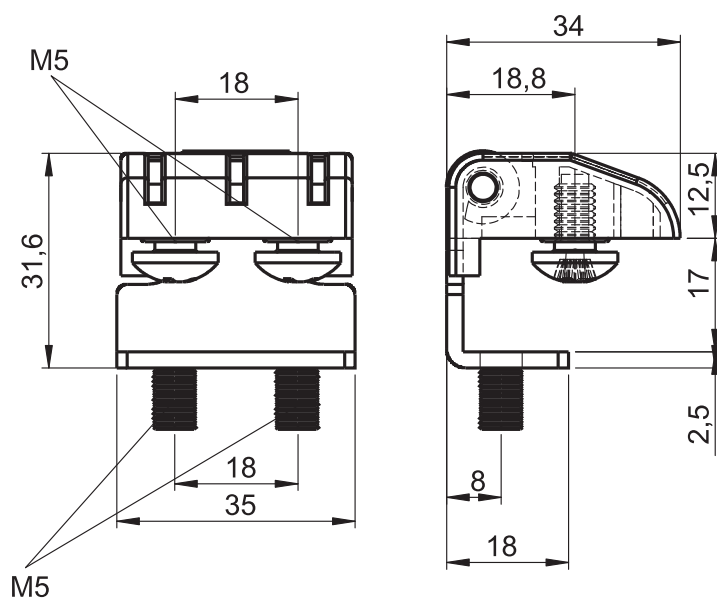
Washers : Polyamide (PA)

Cut Out



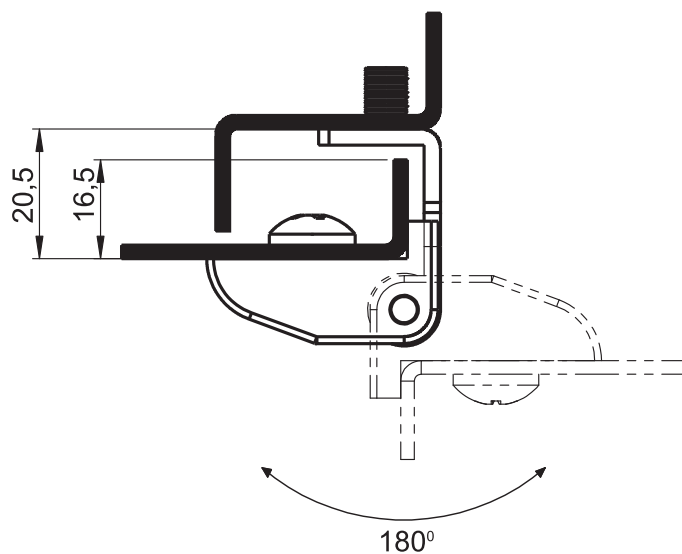
LH/RH





Material

- Housing** : Zinc die and steel
Black coated or chrome plated
- Pin** : Steel, zinc plated

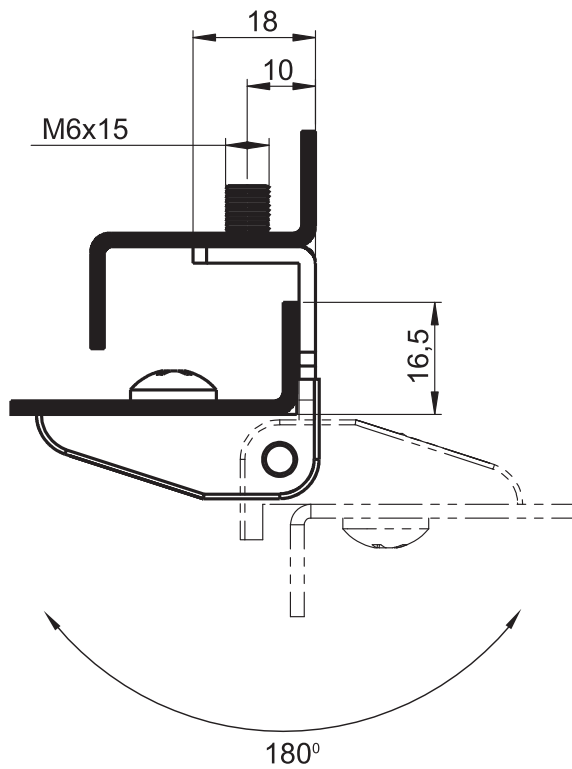
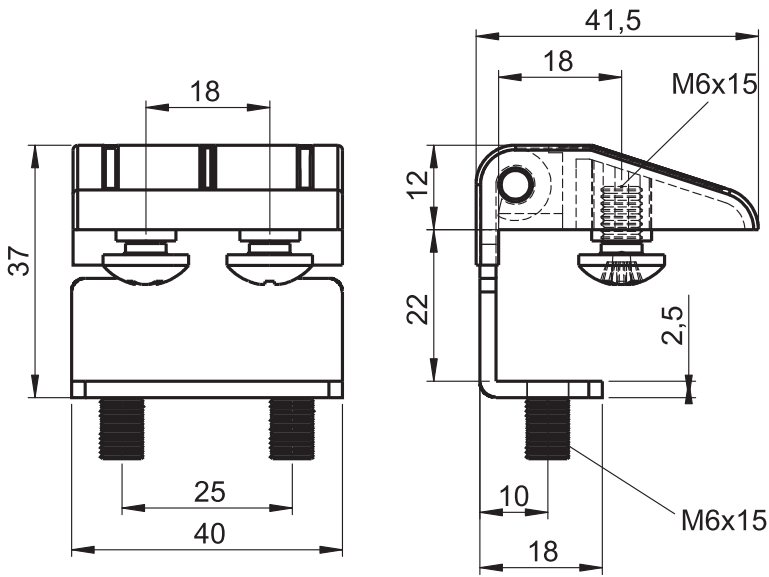


3039 - 180° Hinge

	Black Coated	Chrome Plated
With Holes	3039 - 210	3039 - 220
With Screws	3039 - 211	3039 - 221



LH/RH



Corner Hinges

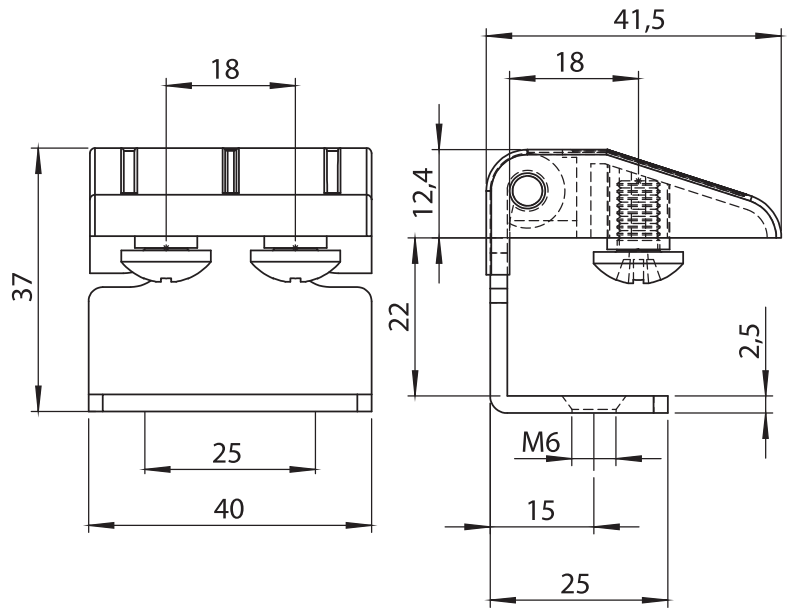
Material

Housing : Zinc die and steel
Black coated or chrome plated
Pin : Steel, zinc plated

3038 - 180° Hinge

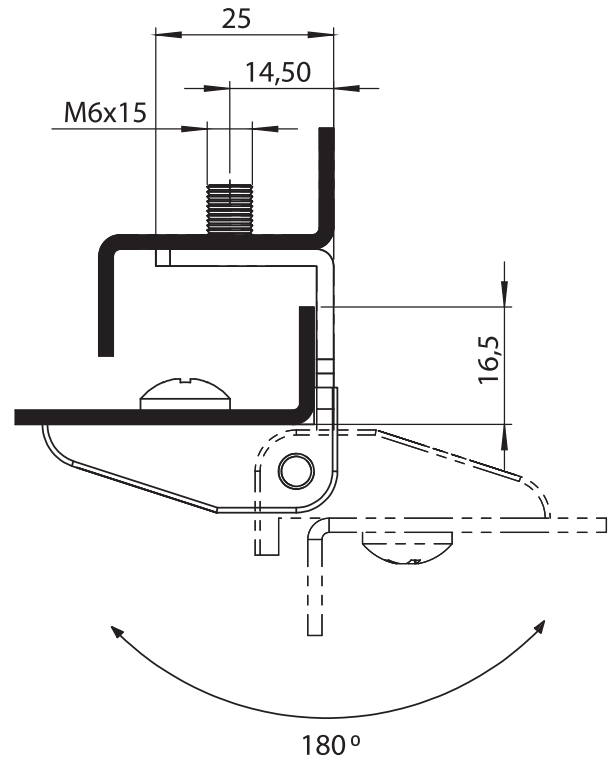
	Black Coated	Chrome Plated
With Holes	3038 - 210	3038 - 220
With Screws	3038 - 211	3038 - 221





Material

- Housing** : Zinc die and steel
Black coated or chrome plated
- Pin** : Steel, zinc plated

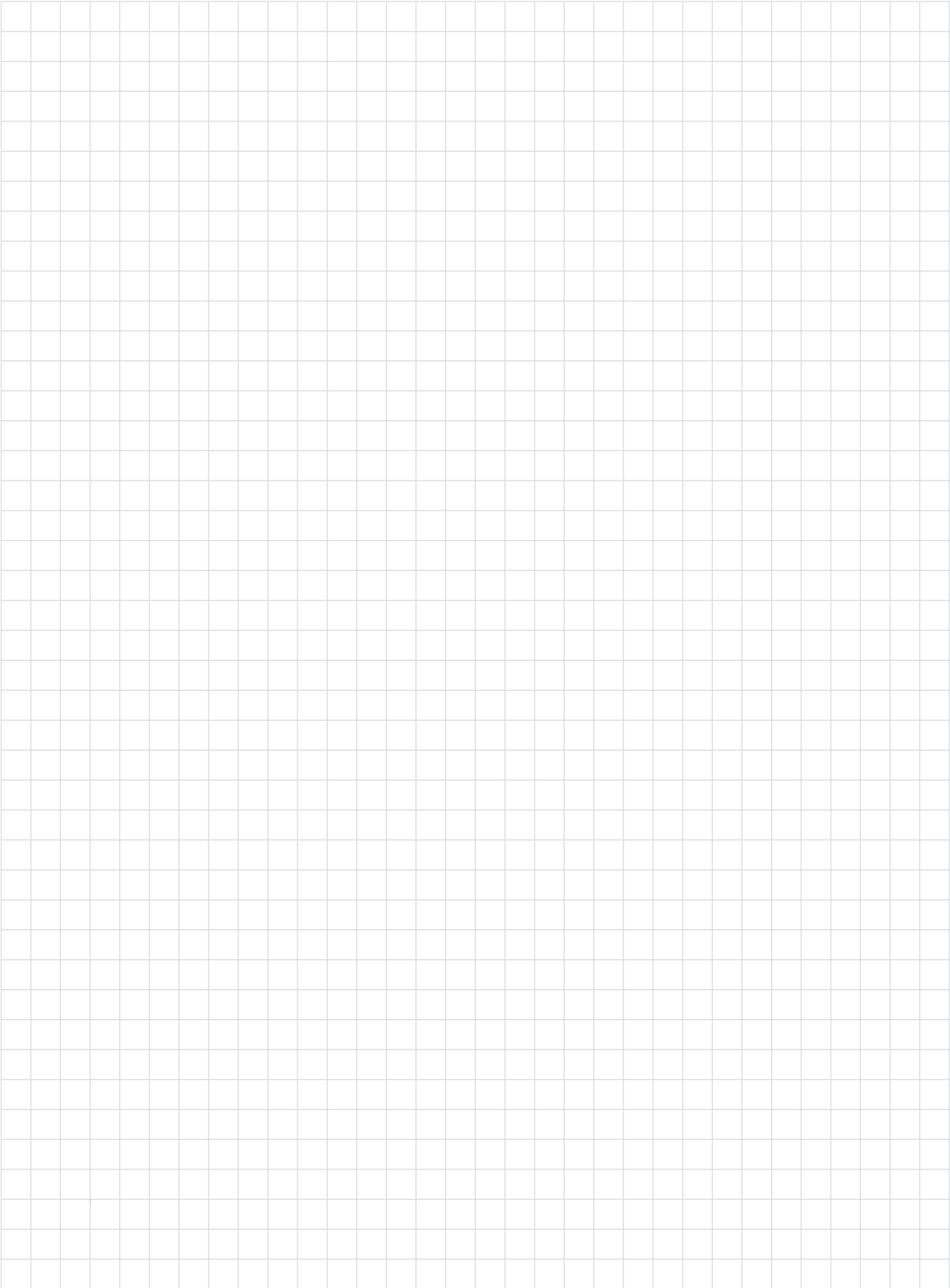


3041 - 180° Hinge

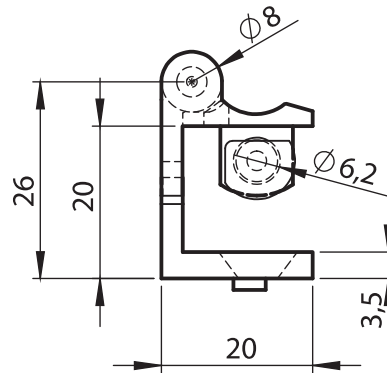
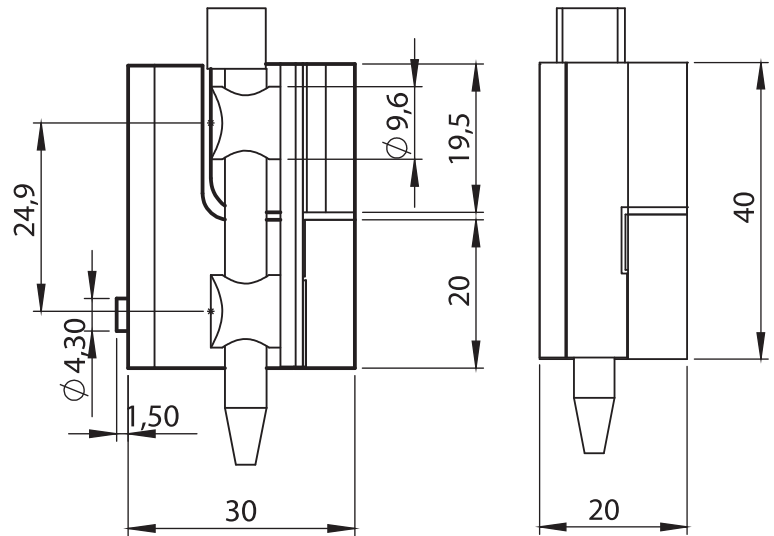
	Black Coated	Chrome Plated
With Holes	3041 - 210	3041 - 220
With Screws	3041 - 211	3041 - 221



LH/RH

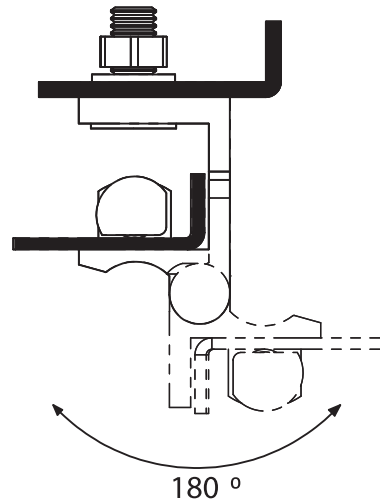
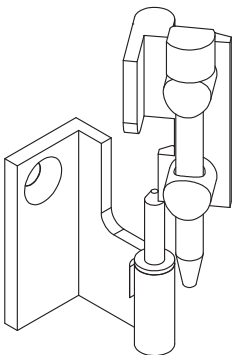


Notes



Material

- Housing** : Zinc die, black coated or chrome plated
- Pin 1** : Steel, zinc plated
- Pin 2** : Polyamide (PA)
- Washer** : Brass



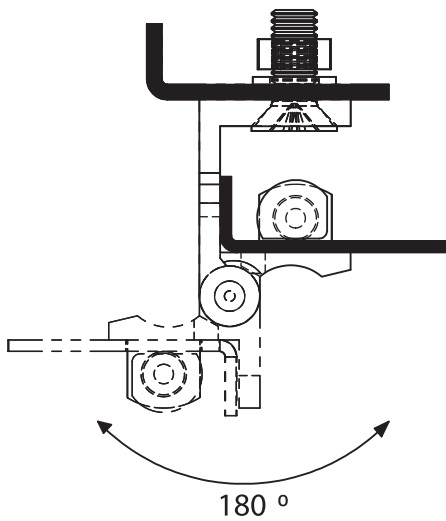
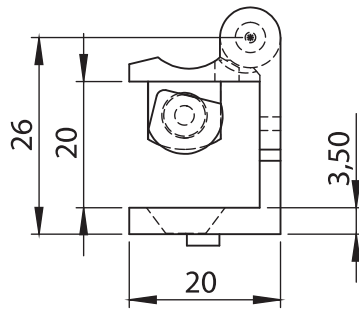
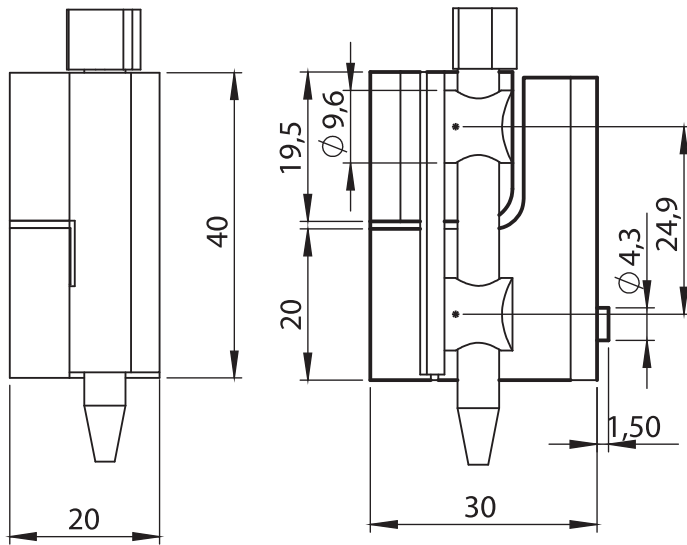
3054 - 180° Hinge

	Black Coated	Chrome Plated
Item Number	3054 - 210	3054 - 220



RH

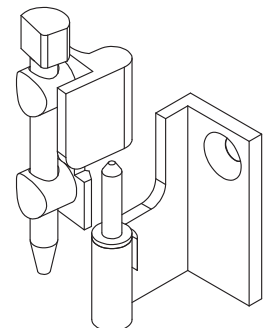




Corner Hinges

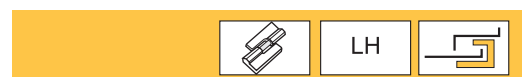
Material

- Housing** : Zinc die, black coated or chrome plated
- Pin 1** : Steel, zinc plated
- Pin 2** : Polyamide (PA)
- Washer** : Brass



3055 - 180° Hinge

	Black Coated	Chrome Plated
Item Number	3055 - 210	3055 - 220



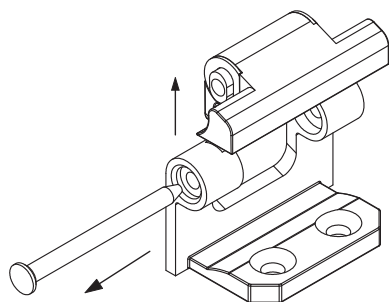
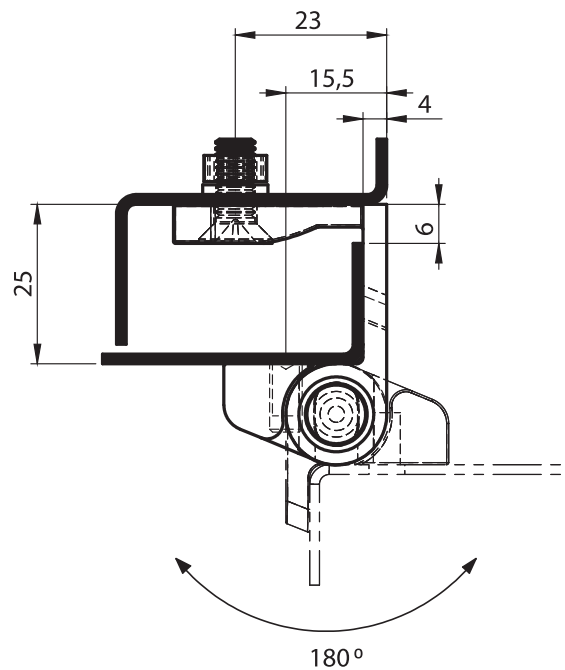
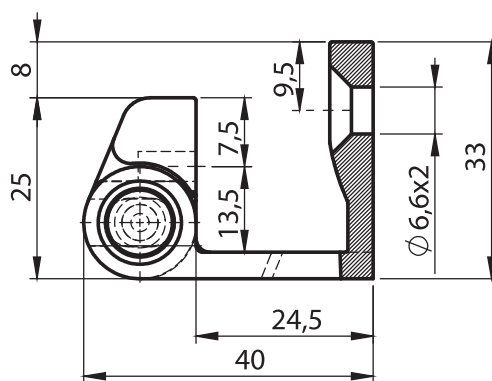
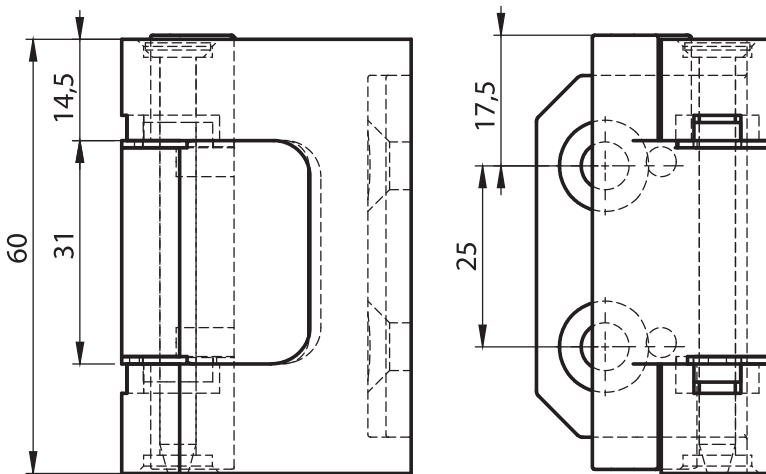


Corner Hinges

Material

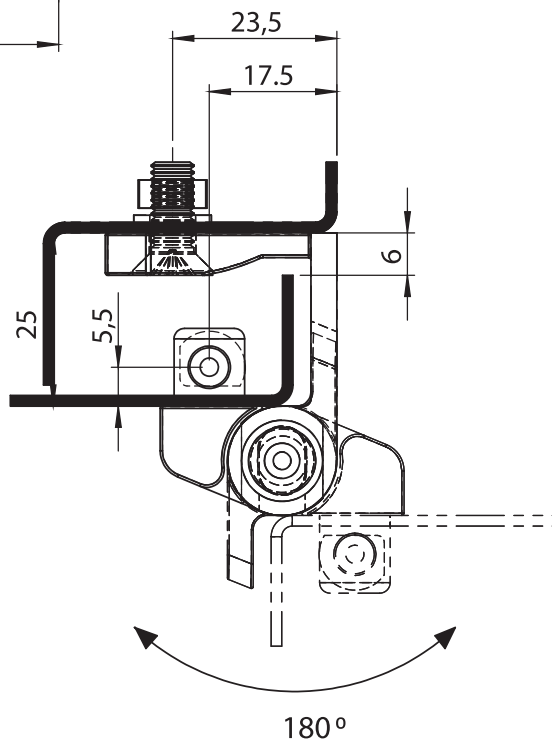
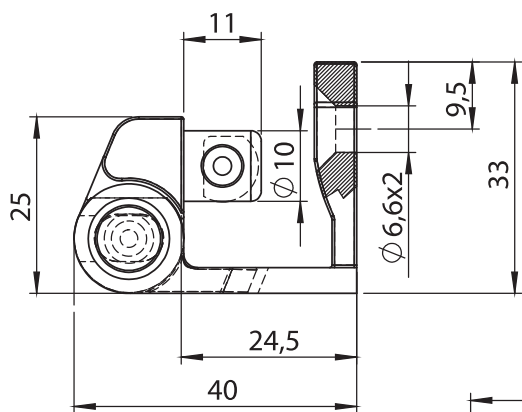
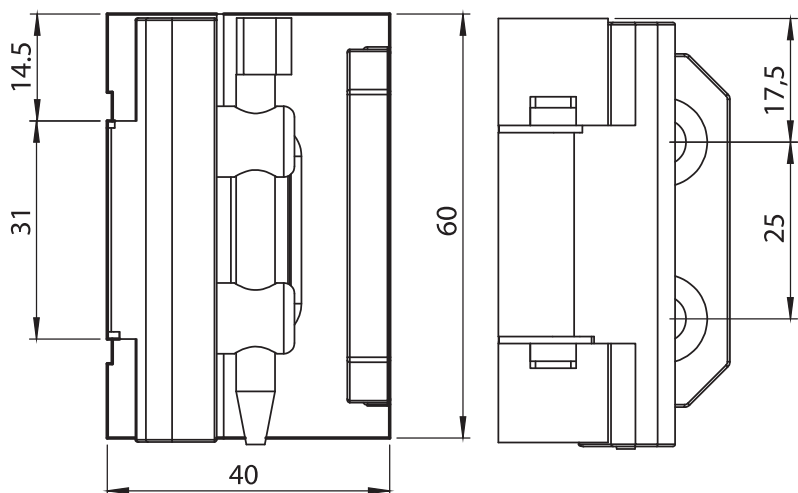
Housing : Zinc die, black coated or chrome plated

Pin : Polyamide (PA)



3007 - 180° Hinge

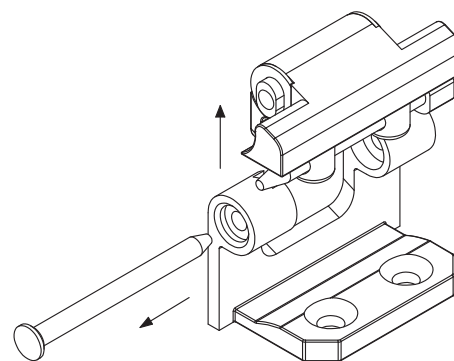
	Black Coated	Chrome Plated
Item Number	3007 - 210	3007 - 220



Material

Housing : Zinc die, black coated or chrome plated

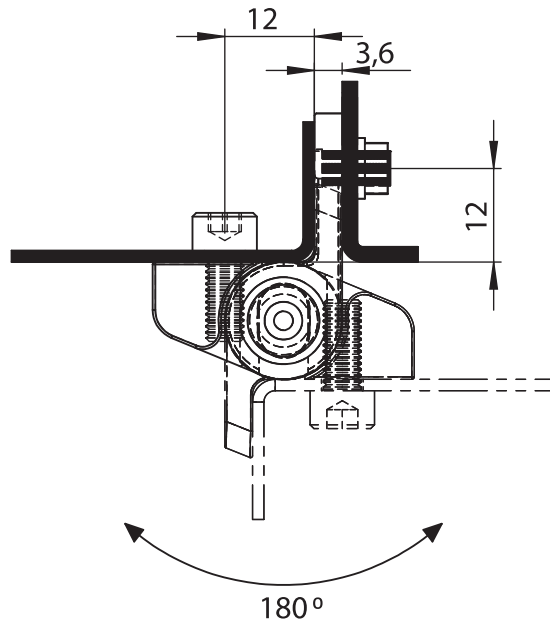
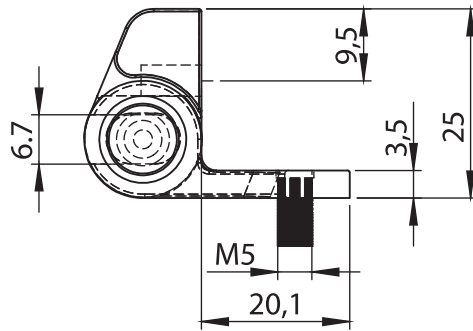
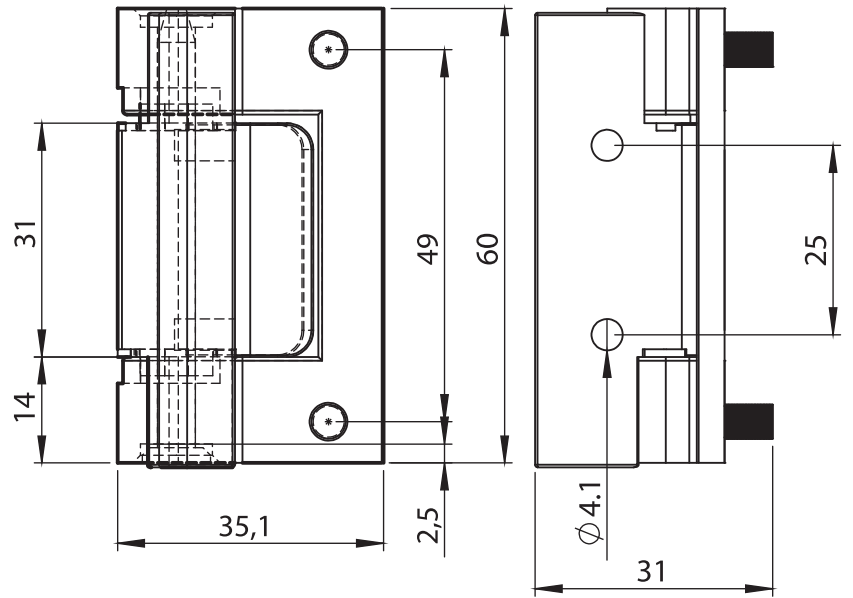
Pin : Polyamide (PA)



3058 - 180° Hinge

	Black Coated	Chrome Plated
Item Number	3058 - 210	3058 - 220

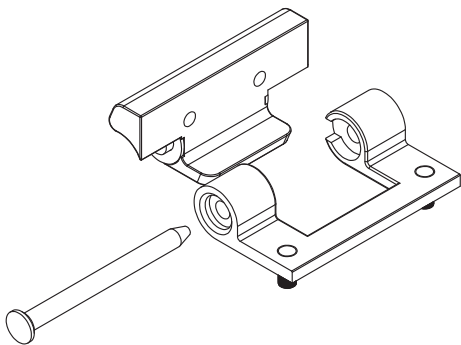




Material

Housing : Zinc die, black coated or chrome plated

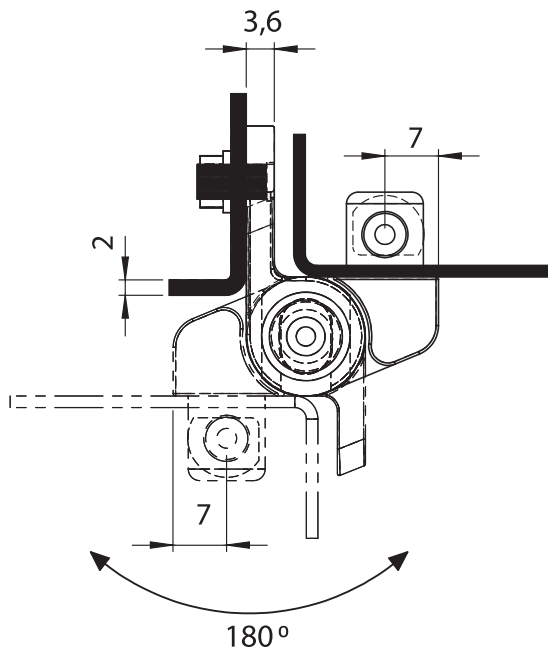
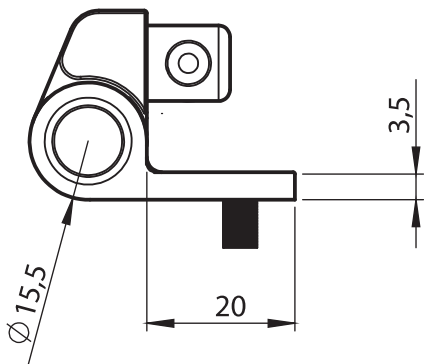
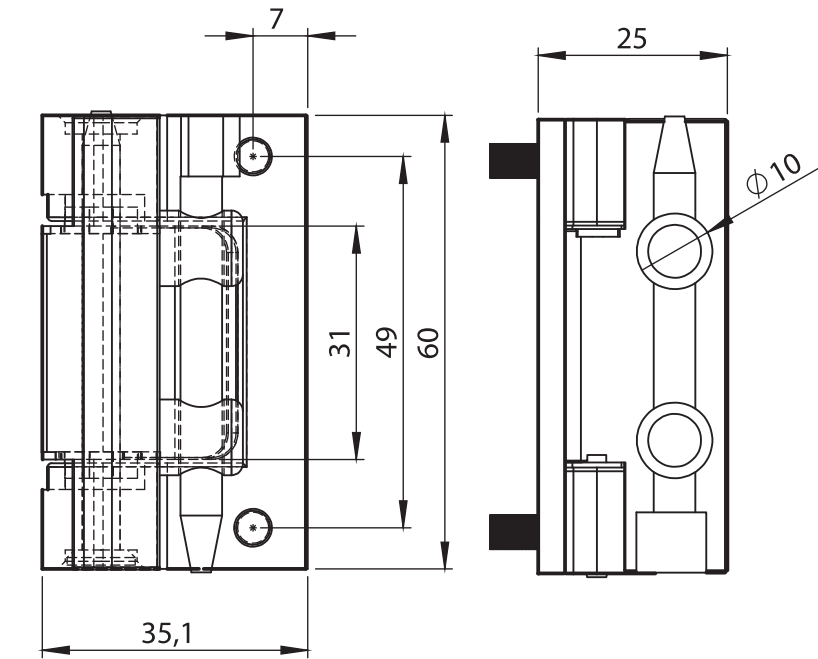
Pin : Polyamide (PA)



3057 - 180° Hinge

	Black Coated	Chrome Plated
Item Number	3057 - 210	3057 - 220

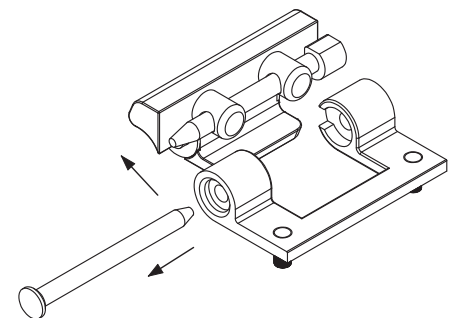




Corner Hinges

Material

Housing : Zinc die, black coated or chrome plated
Pin : Polyamide (PA)



3056 - 180° Hinge

	Black Coated	Chrome Plated
Item Number	3056 - 210	3056 - 220



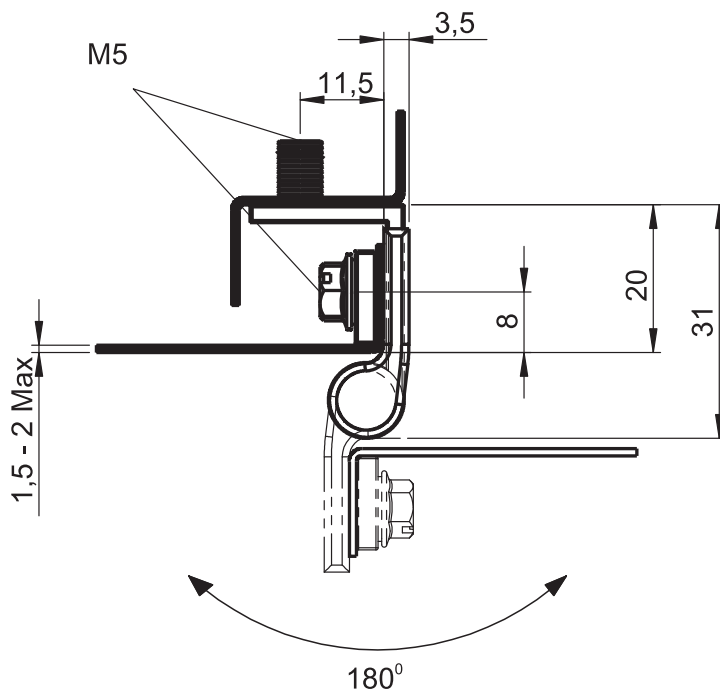
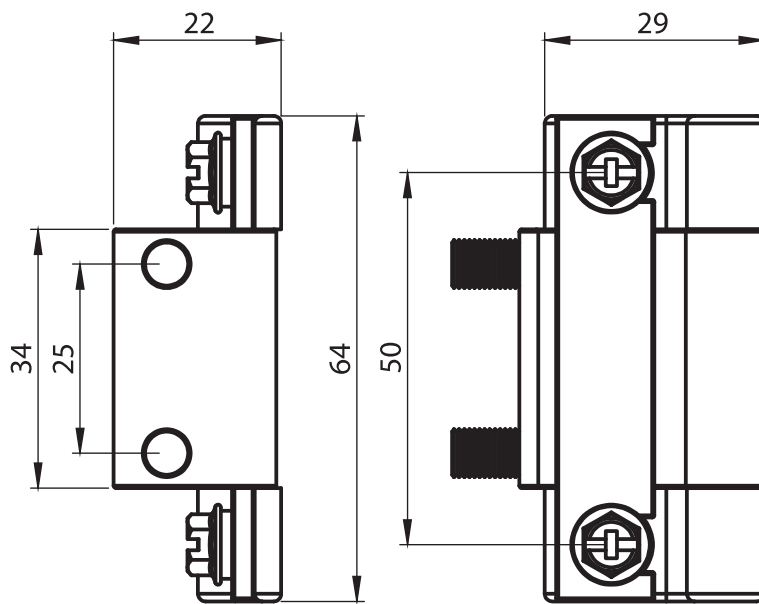
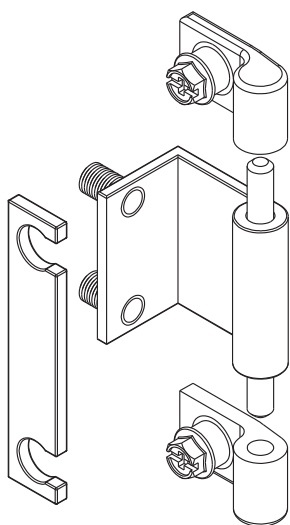


Material

Door Parts : Zinc die, black coated or chrome plated

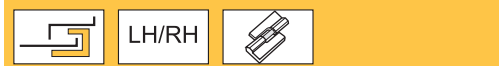
Housing : Steel, black coated

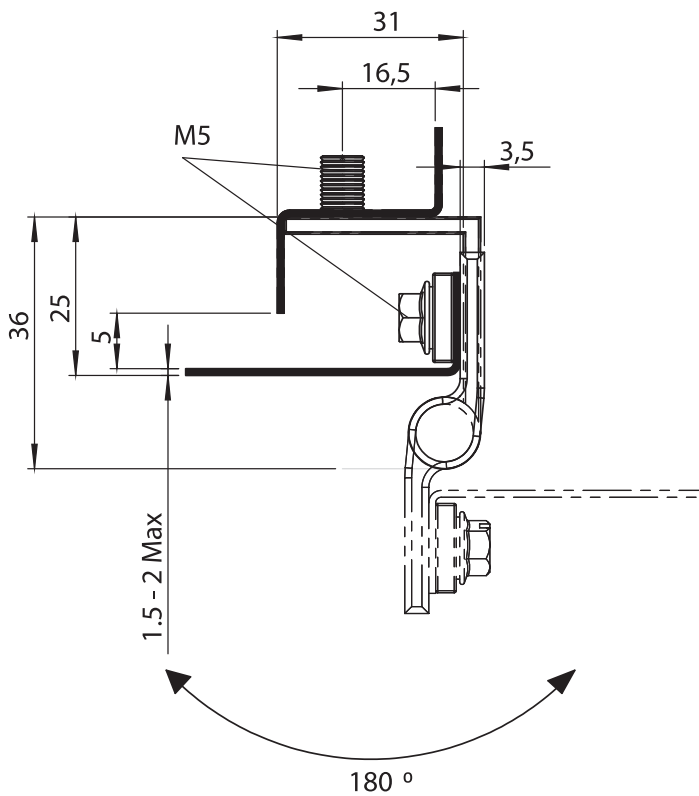
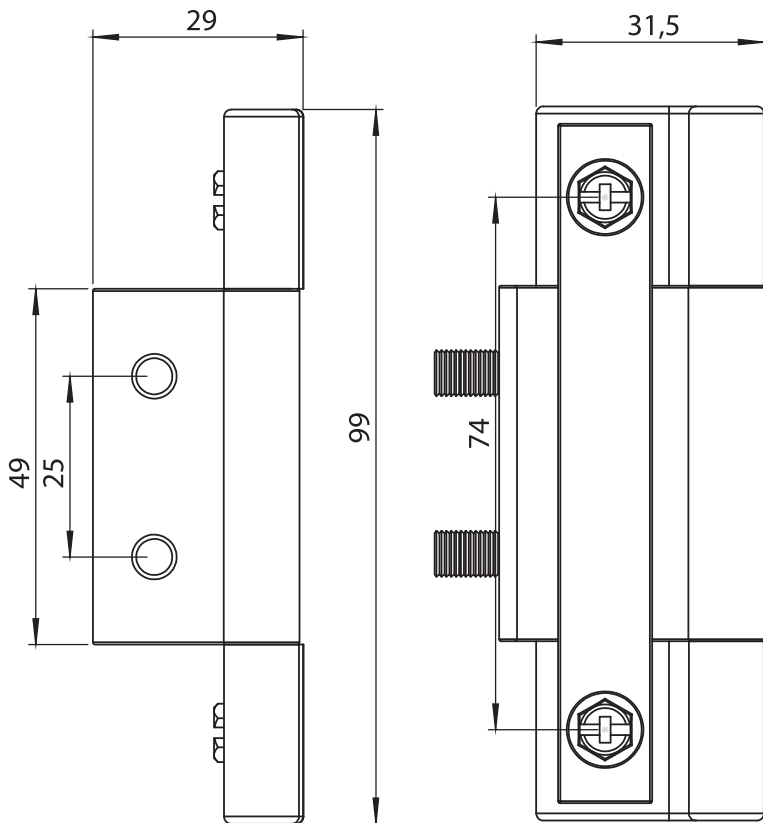
Pin : Steel, zinc plated



3050 - 180° Hinge

	Black Coated	Chrome Plated
Item Number	3050 - 210	3050 - 220





3052 - 180° Hinge

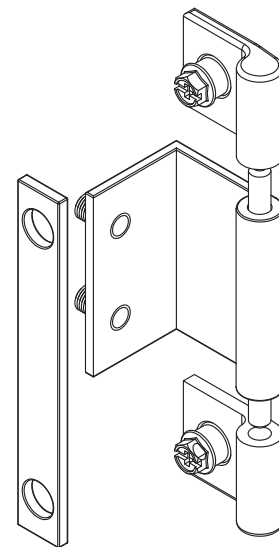
	Black Coated	Chrome Plated
Item Number	3052 - 210	3052 - 220



Corner Hinges

Material

- Door Parts** : Zinc die, black coated or chrome plated
- Housing** : Steel, black coated
- Pin** : Steel, zinc plated



9 - Gaskets



Page 220



Page 220



Page 221



Page 222



Page 223



Page 223



Page 224



Page 225



Page 226



Page 227



Page 228



Page 229



Page 230



Page 231

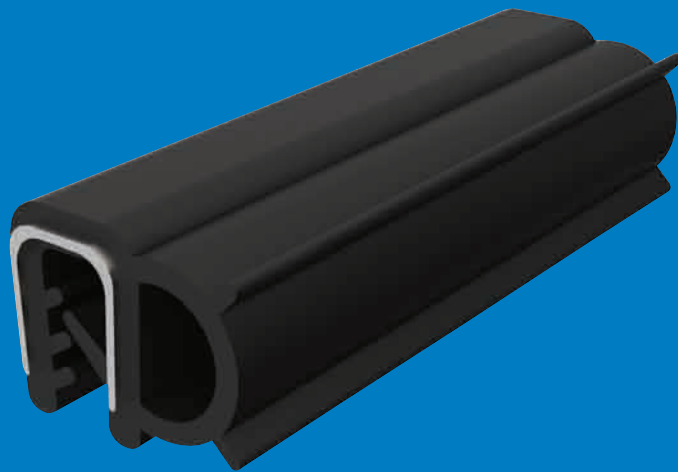


Page 231



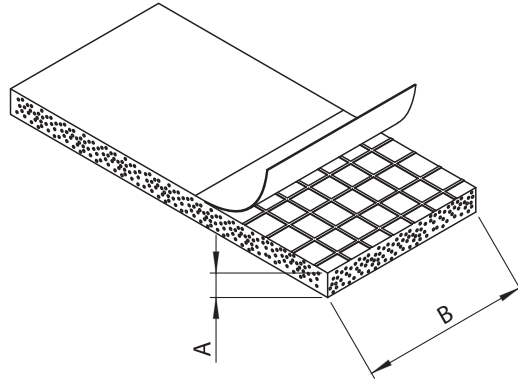
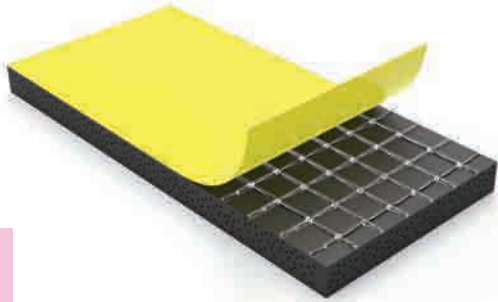
Page 231

Gaskets



**6902
Self Gripping Gasket**

**6300
Cell Sponge Rubber**



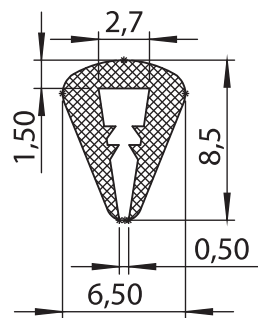
Gaskets

Material

Polyethylene (PE) or EPDM

PE	EPDM	A (mm)	B (mm)
6210 - 200	6210 - 100	2	10
6215 - 200	6215 - 100	2	15
6220 - 200	6220 - 100	2	20
6225 - 200	6225 - 100	2	25
6310 - 200	6310 - 100	3	10
6315 - 200	6315 - 100	3	15
6320 - 200	6320 - 100	3	20
6325 - 200	6325 - 100	3	25
6330 - 200	6330 - 100	3	30
6510 - 200	6510 - 100	5	10
6515 - 200	6515 - 100	5	15
6520 - 200	6520 - 100	5	20
6525 - 200	6525 - 100	5	25
6530 - 200	6530 - 100	5	30
6535 - 200	6535 - 100	5	35
6540 - 200	6540 - 100	5	40

**6990
U Edge Protection**



Material

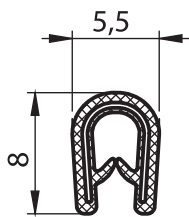
PVC

6990 - U Edge Protection

Item Number	6990 - 100
Item Number	6990 - 100

6911 - Gasket

Item Number	6911 - 100
-------------	------------



Material

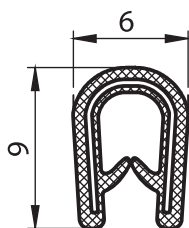
PVC, black
Steel spring core
For 0,8 - 1,5 mm thickness

6911



6912 - Gasket

Item Number	6912 - 100
-------------	------------



Material

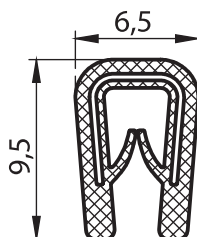
PVC, black
Steel spring core
For 1 - 2 mm thickness

6912



6913 - Gasket

Item Number	6913 - 100
-------------	------------



Material

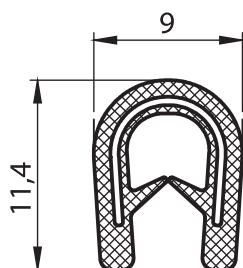
PVC, black
Steel spring core
For 1 - 2 mm thickness

6913



6914 - Gasket

Thickness	Item Number
1-2,5 mm	6914 - 100
2-4 mm	6914 - 120



Material

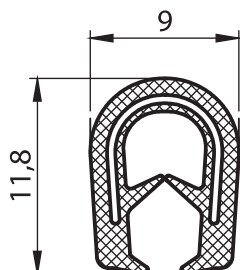
PVC, black
Steel spring core

6914



6915 - Gasket

Item Number	6915 - 102
-------------	------------



Material

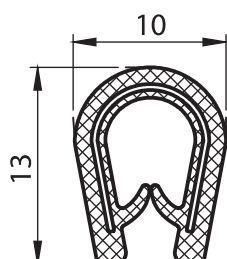
PVC, black
Steel spring core
For 1 - 3 mm thickness

6915



6916 - Gasket

Item Number	6916 - 100
-------------	------------



Material

PVC, black
Steel spring core
For 1 - 4 mm thickness

6916

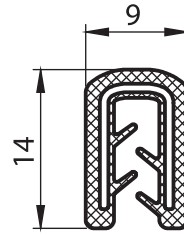


6917



6917 - Gasket

Item Number	6917 - 100
-------------	------------



Material

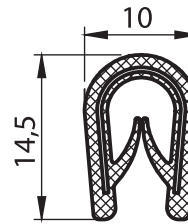
PVC, black
Steel spring core
For 1 - 2,5 mm thickness

6918



6918 - Gasket

Item Number	6918 - 100
-------------	------------



Material

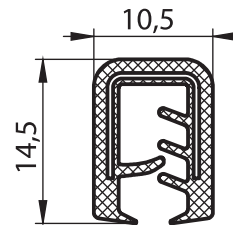
PVC, black
Steel spring core
For 1 - 4 mm thickness

6919



6919 - Gasket

Item Number	6919 - 100
-------------	------------



Material

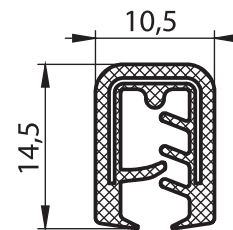
PVC, black
Steel spring core
For 2 - 5 mm thickness

6920



6920 - Gasket

Item Number	6920 - 102
-------------	------------



Material

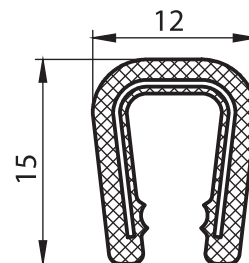
PVC, black
Steel spring core
For 2 - 5 mm thickness

6922



6922 - Gasket

Kalınlık	Item Number
6-8 mm	6922 - 100
8-10 mm	6922 - 120



Material

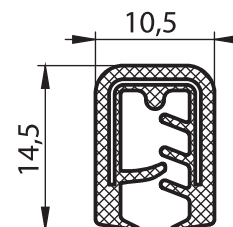
PVC, black
Steel spring core

6923



6923 - Gasket

Item Number	6923 - 100
-------------	------------

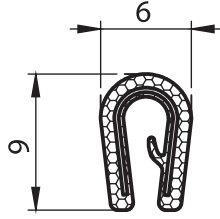


Material

PVC, black
Steel spring core
For 10 - 12 mm thickness

6924 - Gasket

Item Number	6924 - 100
-------------	------------



Material

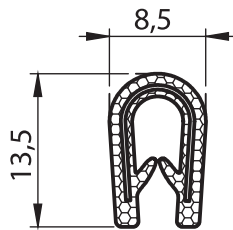
EPDM, black
Steel spring core
For 1 - 2 mm thickness

6924



6925 - Gasket

Item Number	6925 - 100
-------------	------------



Material

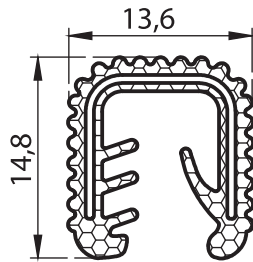
EPDM, black
Steel spring core
For 1 - 3 mm thickness

6925



6926 - Gasket

Item Number	6926 - 100
-------------	------------



Material

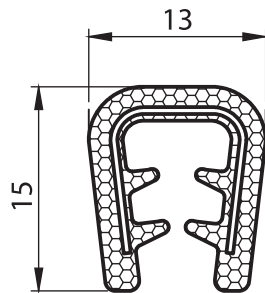
EPDM, black
Steel spring core
For 5 - 6 mm thickness

6926



6927 - Gasket

Item Number	6927 - 100
-------------	------------



Material

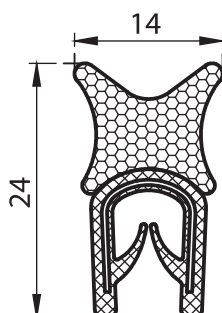
EPDM, black
Steel spring core
For 5 - 8 mm thickness

6927



6928 - Gasket

Item Number	6928 - 100
-------------	------------



Material

EPDM + PVC, black
Steel spring core
For 1 - 4 mm thickness

6928

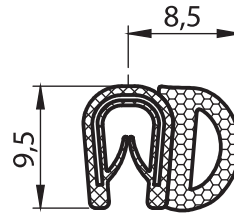


6929



6929 - Gasket

Item Number	6929 - 100
-------------	------------



Material

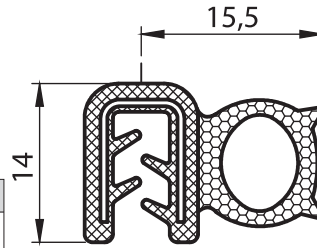
EPDM + PVC, black
Steel spring core
For 1 - 2 mm thickness

6930



6930 - Gasket

Item Number	6930 - 100
-------------	------------



Material

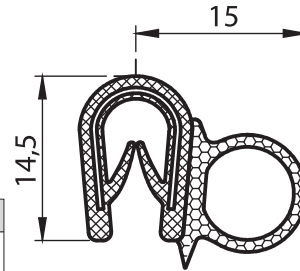
EPDM + PVC, black
Steel spring core
For 1 - 2,5 mm thickness

6931



6931 - Gasket

Item Number	6931 - 100
-------------	------------



Material

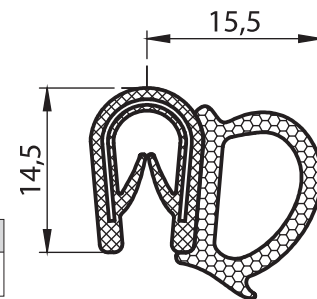
EPDM + PVC, black
Steel spring core
For 1 - 4 mm thickness

6932



6932 - Gasket

Item Number	6932 - 100
-------------	------------



Material

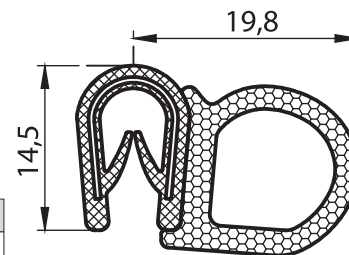
EPDM + PVC, black
Steel spring core
For 1 - 4 mm thickness

6933



6933 - Gasket

Item Number	6933 - 100
-------------	------------



Material

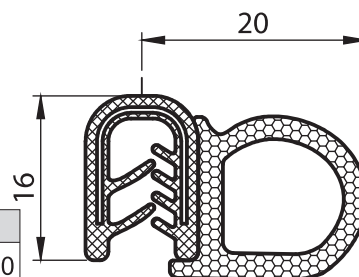
EPDM + PVC, black
Steel spring core
For 1 - 2 mm thickness

6934



6934 - Gasket

Item Number	6934 - 100
-------------	------------

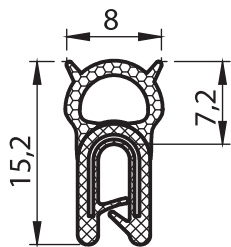


Material

EPDM + PVC, black
Steel spring core
For 1 - 4 mm thickness

6935 - Gasket

Item Number	6935 - 100
-------------	------------



Material

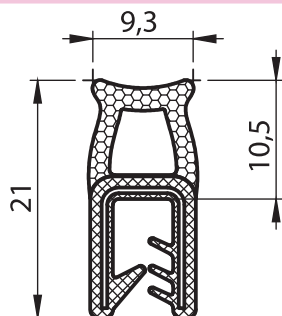
EPDM
Steel spring core
For 0,5 - 1,5 mm thickness

6935



6936 - Gasket

Item Number	6936 - 100
-------------	------------



Material

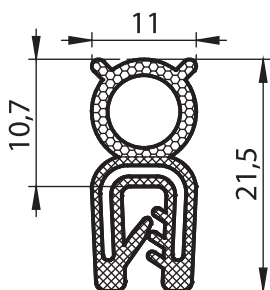
EPDM
Steel spring core
For 1 - 3 mm thickness

6936



6903 - Gasket

Item Number	6903 - 100
-------------	------------



Material

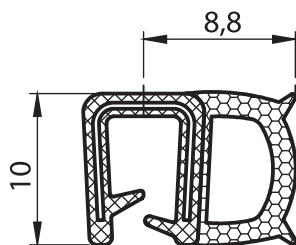
EPDM
Steel spring core
For 1 - 3 mm thickness

6903



6937 - Gasket

Item Number	6937 - 100
-------------	------------



Material

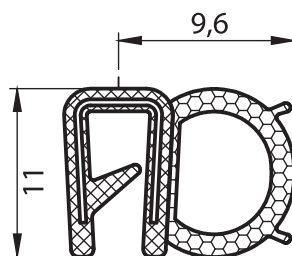
EPDM
Steel spring core
For 1 - 2,5 mm thickness

6937



6938 - Gasket

Item Number	6938 - 100
-------------	------------



Material

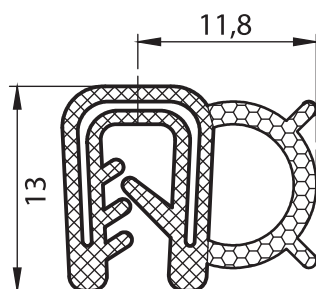
EPDM
Steel spring core
For 1 - 2 mm thickness

6938



6902 - Gasket

Item Number	6902 - 100
-------------	------------



Material

EPDM
Steel spring core
For 2 mm thickness

6902

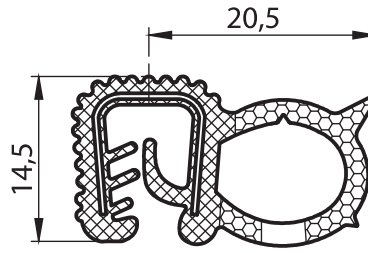


6901



6901 - Gasket

Thickness	Item Number
1 - 2,5 mm	6901 - 100
2 - 4 mm	6901 - 120
5 - 6 mm	6901 - 130



Material

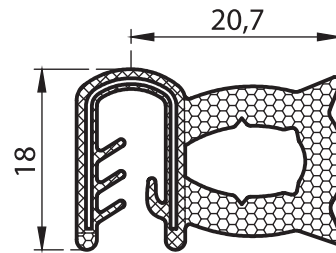
EPDM
Steel spring core

6904



6904 - Gasket

Item Number	Item Number
6904 - 100	6904 - 100



Material

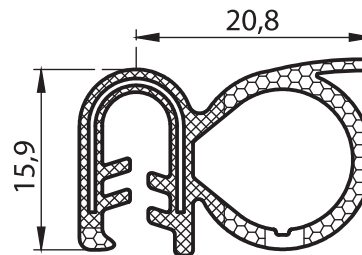
EPDM
Steel spring core
For 3,5 - 5 mm thickness

6905



6905 - Gasket

Item Number	Item Number
6905 - 100	6905 - 100



Material

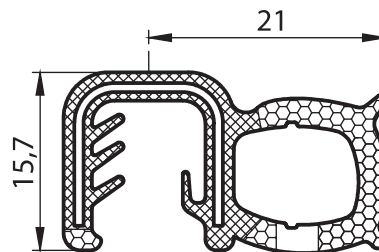
EPDM
Steel spring core
For 3 - 4 mm thickness

6906



6906 - Gasket

Item Number	Item Number
6906 - 100	6906 - 100



Material

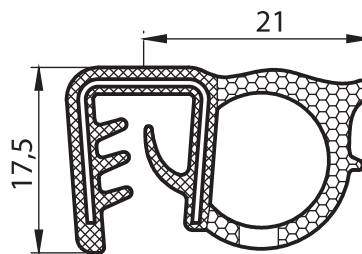
EPDM
Steel spring core
For 5 - 6 mm thickness

6907



6907 - Gasket

Item Number	Item Number
6907 - 100	6907 - 100



Material

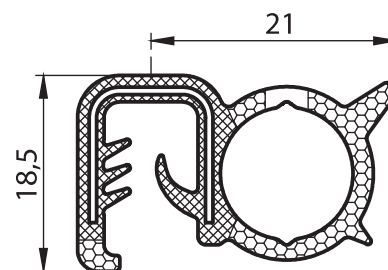
EPDM
Steel spring core
For 5 - 9 mm thickness

6970



6970 - Gasket

Item Number	Item Number
6970 - 100	6970 - 100

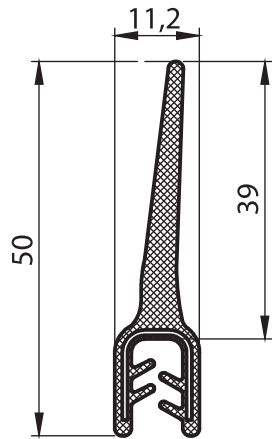


Material

EPDM
Steel spring core
For 2 - 4 mm thickness

Gaskets

6971



6971 - Gasket

Item Number	6971 - 100
-------------	------------

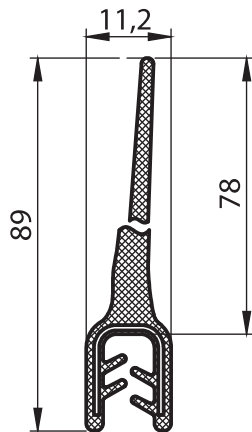
Material

EPDM
Steel spring core
For 2-4 mm thickness



Gaskets

6972



6972 - Gasket

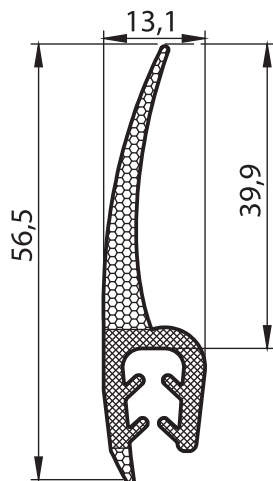
Item Number	6972 - 100
-------------	------------

Material

EPDM
Steel spring core
For 2-4 mm thickness



6973



6973 - Gasket

Item Number	6973 - 100
-------------	------------

Material

EPDM
Steel spring core
For 4-6 mm thickness

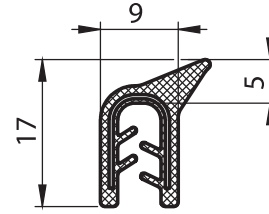


6974



6974 - Gasket

Item Number	6974 - 100
-------------	------------



Material

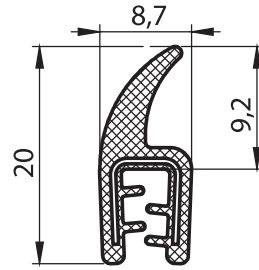
EPDM
Steel spring core
For 1,5 - 3 mm thickness

6975



6975 - Gasket

Item Number	6975 - 100
-------------	------------



Material

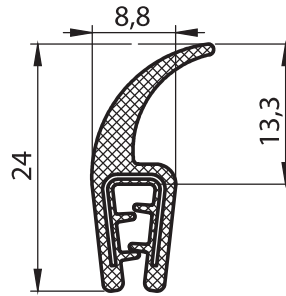
EPDM
Steel spring core
For 1 - 2 mm thickness

6976



6976 - Gasket

Item Number	6976 - 100
-------------	------------



Material

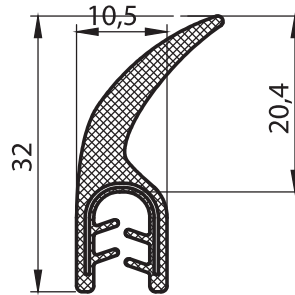
EPDM
Steel spring core
For 1,5 - 2,5 mm thickness

6977



6977 - Gasket

Item Number	6977 - 100
-------------	------------



Material

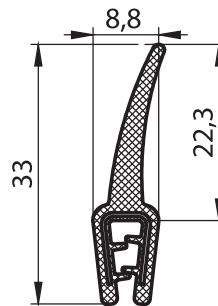
EPDM
Steel spring core
For 2 - 4 mm thickness

6978



6978 - Gasket

Item Number	6978 - 100
-------------	------------



Material

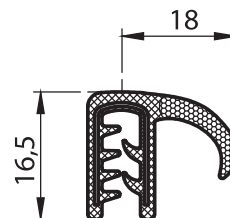
EPDM
Steel spring core
For 1 - 2,5 mm thickness

6979



6979 - Gasket

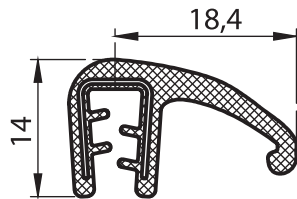
Item Number	6979 - 100
-------------	------------



Material

EPDM
Steel spring core
For 2 - 3 mm thickness

Gaskets



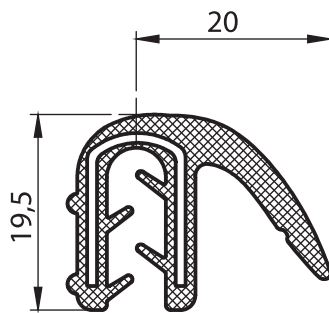
6980 - Gasket

Item Number	6980 - 100
-------------	------------

Material

EPDM
Steel spring core
For 1 - 2,5 mm thickness

6980



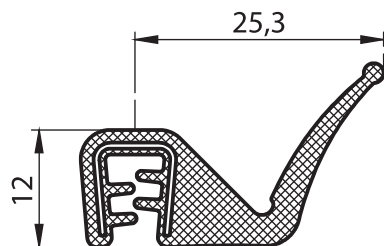
6981 - Gasket

Item Number	6981 - 100
-------------	------------

Material

EPDM
Steel spring core
For 1 - 3,5 mm thickness

6981



6982 - Gasket

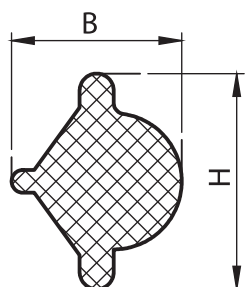
Item Number	6982 - 100
-------------	------------

Material

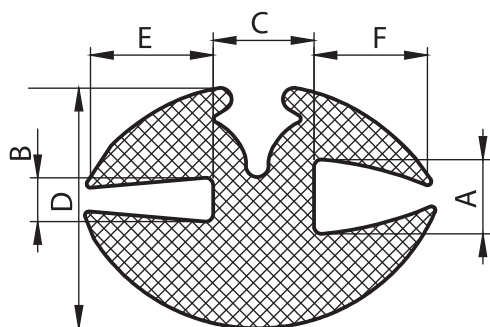
EPDM
Steel spring core
For 1 - 2,5 mm thickness

6982





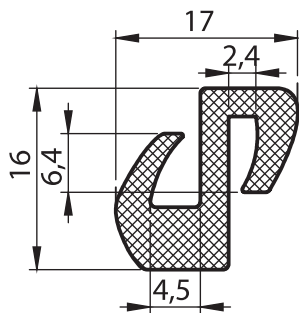
EPDM	A (mm)	B (mm)	Material
6940 - 100	5,5	4,5	EPDM
6940 - 120	7	6	EPDM
6940 - 130	9,5	7,5	EPDM
6941 - 100	9,5	7,5	PVC



Item Number	A	B	C	D	E	F
6908 - 100	2,5	1,5	7	16	7	7
6909 - 100	2,5	3	7	17,9	10,5	11,5
6910 - 100	2,5	4,5	7	17,8	10,5	11,5
6942 - 100	3	1	4	11,6	4,5	6
6943 - 100	3	2	4	10,2	3	3
6944 - 100	4	1,5	4	13,6	5	6
6945 - 100	4	1,5	7	16	7	7
6946 - 100	4	2	7,3	18	11	8,7
6947 - 100	4	3	4	12,6	5	6
6948 - 100	4	3	7	16	7	7
6949 - 100	4	3	7	14	7	7
6950 - 100	4	3	7,5	19,5	12,5	9,5
6951 - 100	4,5	5	7	16	7	7
6952 - 100	5	2	5	15	6	6
6953 - 100	5	2	7,5	19	12,5	9,5
6954 - 100	5	3	7	19	8	8
6955 - 100	5	3	7,5	19	12,5	9,5
6956 - 100	5	5	7	18,4	9	8
6957 - 100	5,5	2	7,3	19	11	8,7
6958 - 100	5,5	3,5	6	19	10	10
6959 - 100	6	1,5	7,5	19	12,5	9,5
6960 - 100	6	2,5	7	19	8	8
6961 - 100	6	3	7,5	19	12,5	9,5
6962 - 100	6	4	7,5	19	12,5	9,5
6963 - 100	6	6	8,5	19	9,5	9
6964 - 100	7	3	7	20,5	12	8,5
6965 - 100	8	3	7,5	22	12,5	9,5
6966 - 100	8	4	8,5	25	12,5	10
6967 - 100	10	3	7,5	23	12,5	9,5
6968 - 100	10	6	7,5	24	12,5	9,5
6969 - 100	14	4	11	29	11	12

6939 - Window Rubber Profile

Item Number	6939 - 100
-------------	------------



Material

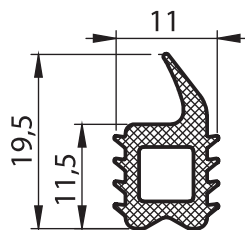
EPDM
Steel spring core
For 0,5 - 1,5 mm thickness

**6939
Window Rubber Profile**



6983 - Door Profile

Item Number	6983 - 100
-------------	------------



Material

PVC

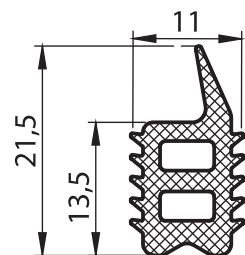
**6983
Door Profile**



Gaskets

6984 - Door Profile

Item Number	6984 - 100
-------------	------------



Material

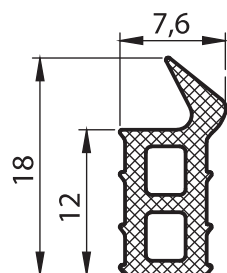
PVC

**6984
Door Profile**



6985 - Door Profile

Item Number	6985 - 100
-------------	------------



Material

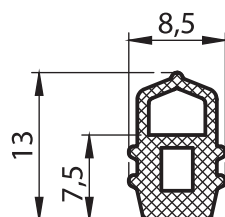
PVC

**6985
Door Profile**



6986 -Door Profile

Item Number	6986 - 100
-------------	------------



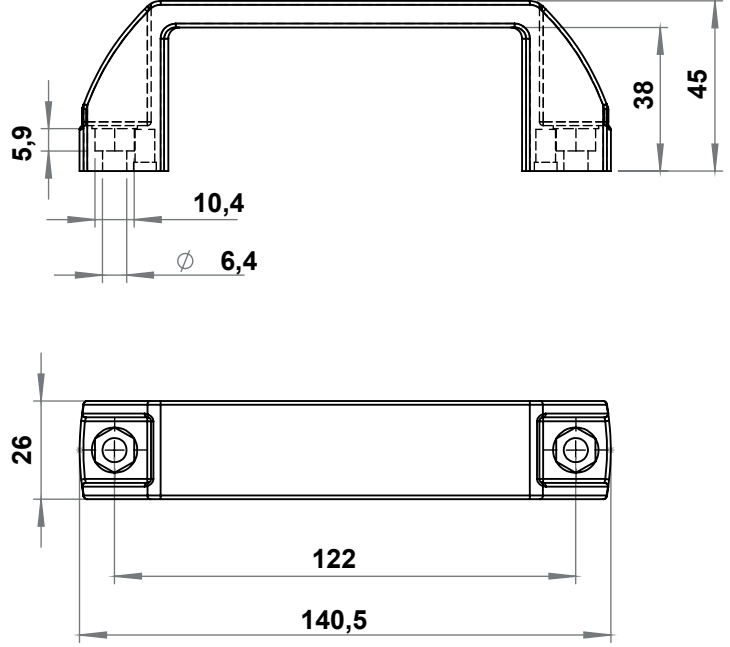
Material

PVC

**6986
Door Profile**



Handle



Suitable to be used with M6 hexagon screws.
DIN 933, DIN 931, DIN 961 Screws can be used.
Screws are not included.

Handle

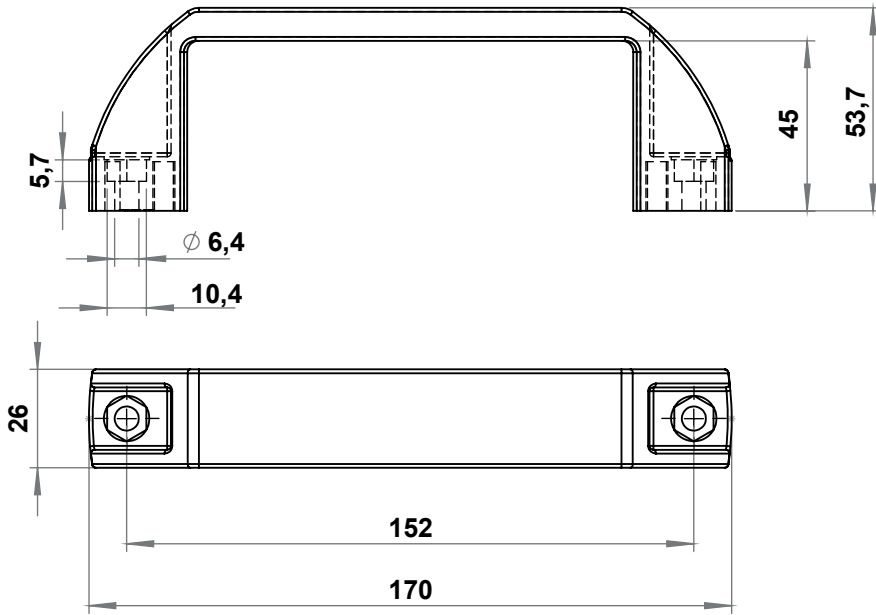
MATERIAL

Polyamide (PA6 GFR 30) / PP / ABS V0, black

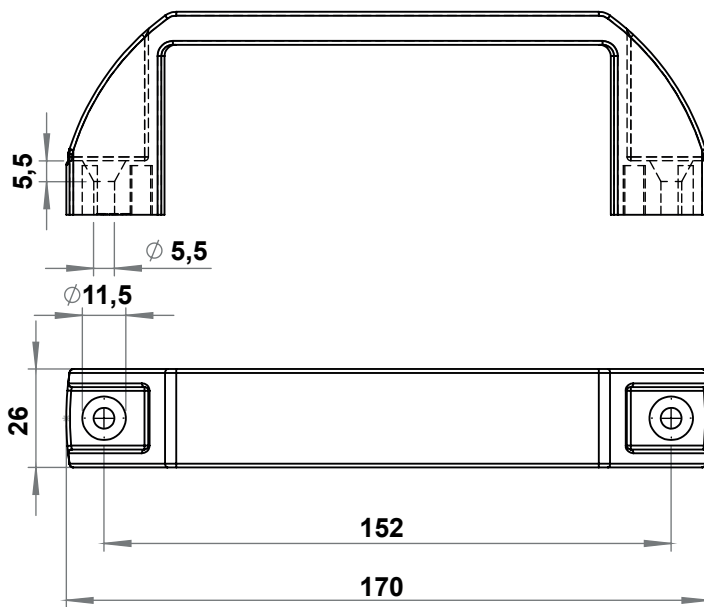
* Please contact with Elkomsan for your other color requests.

4001 - Handle

Material	PA6 %30	PP	ABS V0
Item Number	4001 - 001	4001 - 201	4001 - 301



Assembled with M6 hexagon screws.
 DIN 933, DIN 931, DIN 961 Screws can be used.
 Screws are not included.



Assembled with M5 countersink screws.
 DIN 965, DIN 7991 screws can be used.
 Screws are not included.



Handle

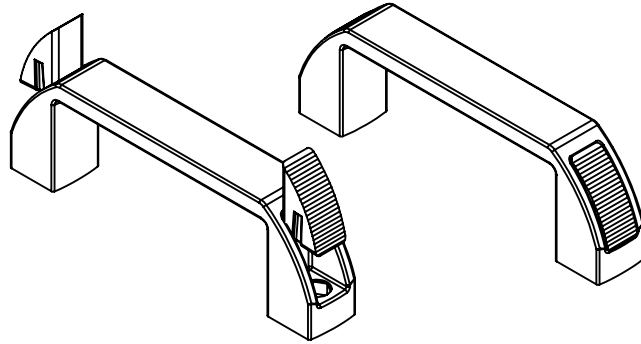
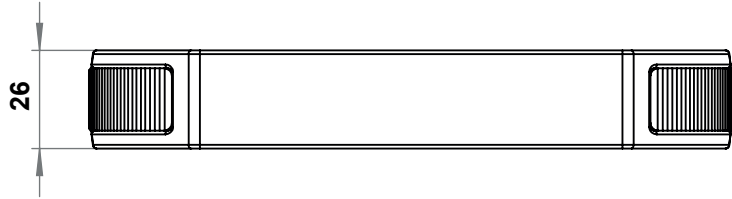
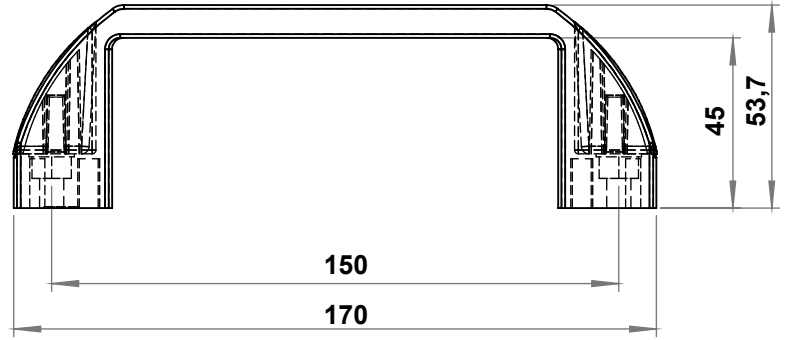
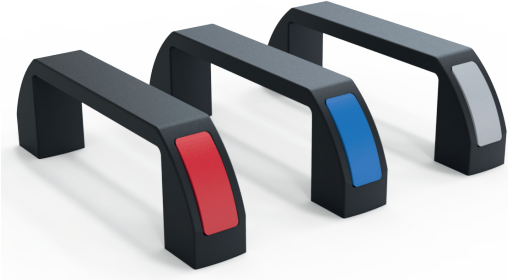
MATERIAL

Polyamide (PA6 GFR 30) / PP / ABS V0, black

* Please contact Elkomsan for your other color requests.

4002 - Handle

Material	PA6 %30	PP	ABS V0
Suitable for Hexagon Head Screw	4002 - 001	4002 - 201	4002 - 301
Suitable for Countersink Screw	4002 - 011	4002 - 211	4002 - 311



Handle

MATERIAL

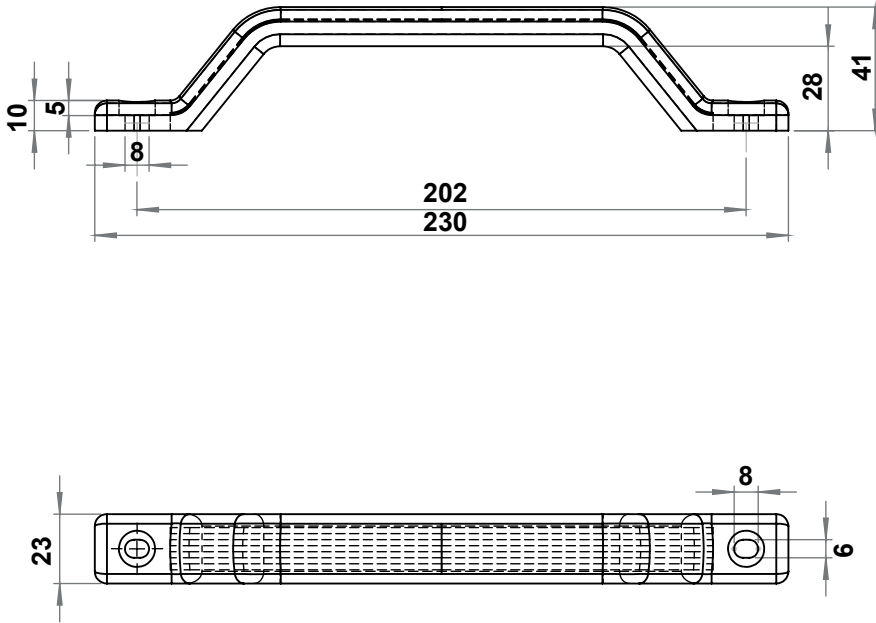
Polyamide (PA6 GFR 30)

* Please contact Elkomsan for your other color requests.

* The code includes one set of covers consist of 2 pcs

4002 - Handle Cover

Material	Red	Blue	Grey Ral 7035
Item Number	4002 - 701	4002 - 702	4002 - 703



Handle

MATERIAL

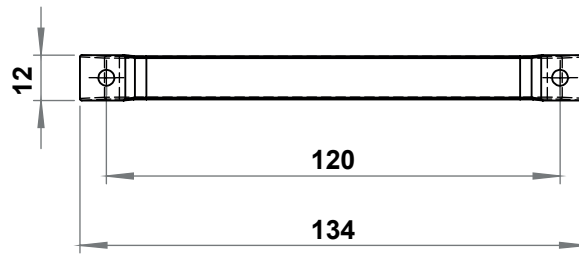
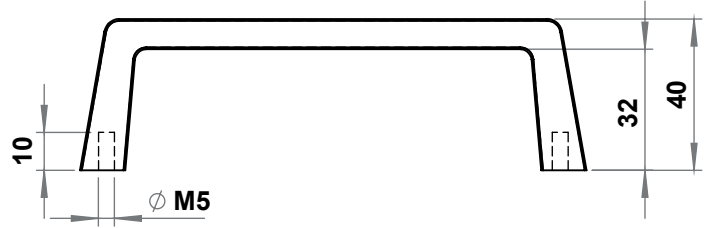
PP, black

Note: Logo is applicable on surface.

* Please contact Elkomsan for your other color requests.

4008 - Handle

Item Number	4008 - 001
-------------	------------



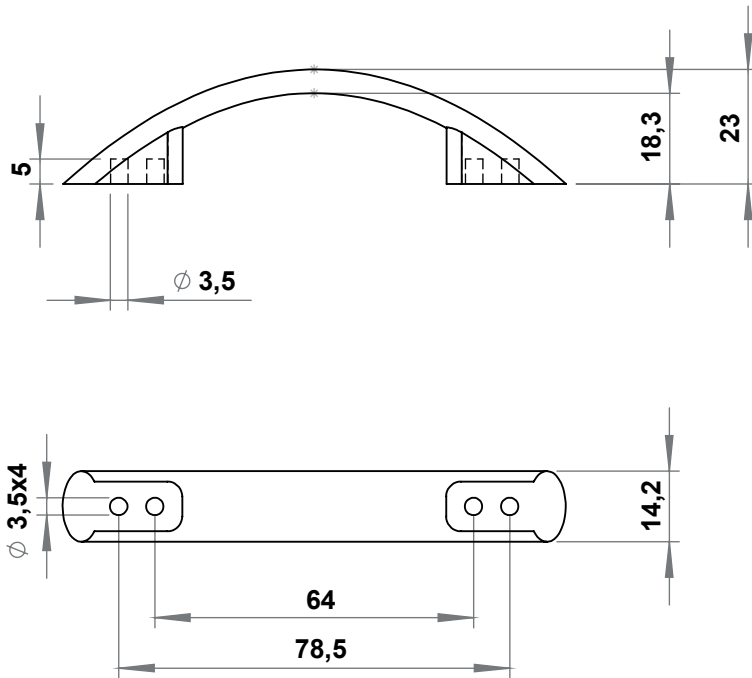
Handle

MATERIAL

Zinc die, black coated or chrome plated

4012 - Handle

Material	Zinc die, Black coated	Zinc die, Chrome plated
Item Number	4012 - 210	4012 - 220



Handle

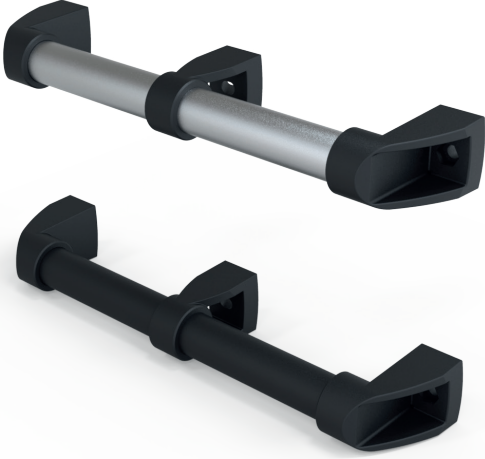
MATERIAL

PP

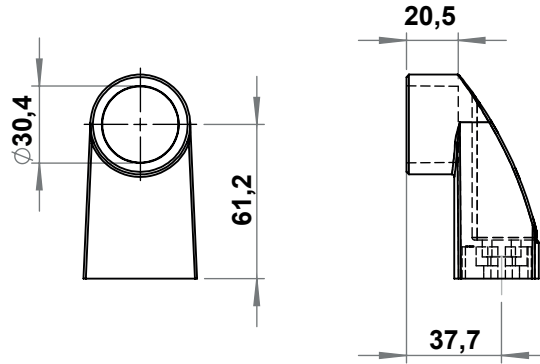
* Please contact Elkomsan for other color requests.

4013 - Handle

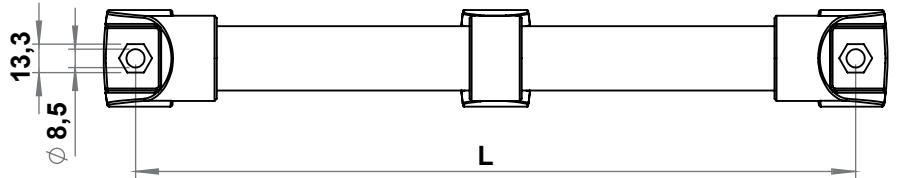
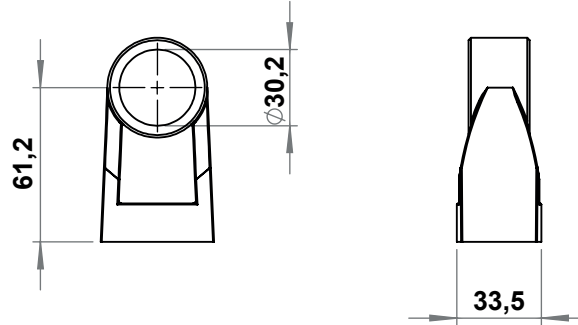
Material	Black	Gray, Ral 7035
Item Number	4013 - 100	4013 - 101



Side Part



Middle Part



MATERIAL

Side and Middle Parts : Polyamide (PA6 GFR30), black

Tube: : Plastic coated steel / Anodized aluminium

* Middle part should be used when L is longer than 1000mm

Assembled with M8 hexagon screws.
DIN 933, DIN 931, DIN 961 Screws can be used.
Screws are not included.

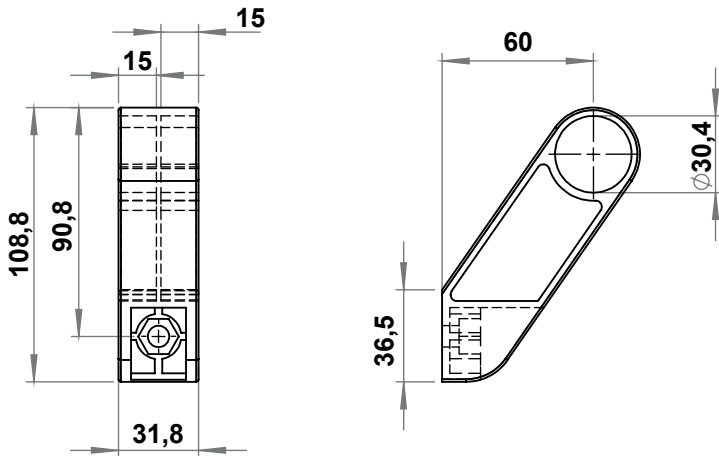
4003 - Handle

Material	Side Part	Middle Part	Plastic coated tube 3mt	Anodized aluminium tube 3mt
Item Number	4003 - 001	4003 - 101	4003 - 3000	4103 - 3000

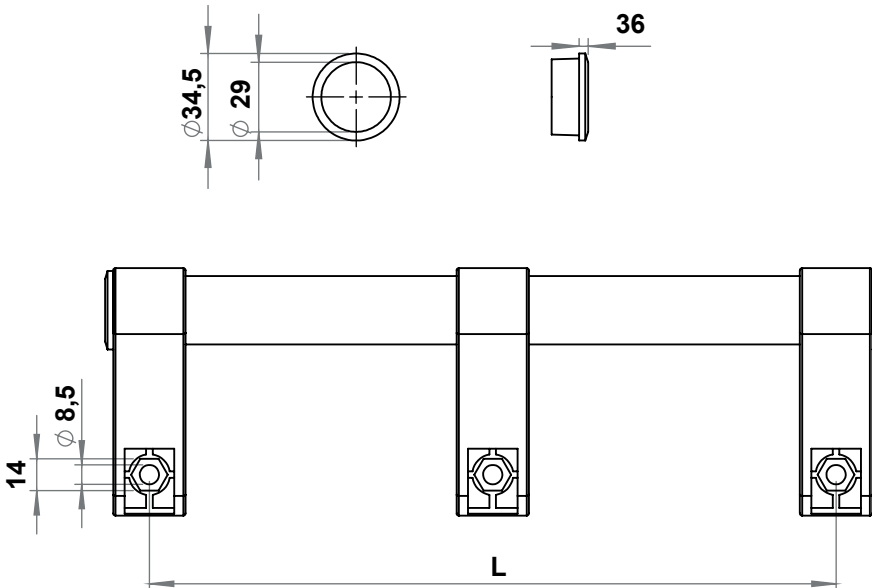
4003 - Borulu Setler

Material	L=200	L=300	L=400	L=500
Plastic coated steel tube	4003 - 200	4003 - 300	4003 - 400	4003 - 500
Anodized aluminium	4103 - 200	4103 - 300	4103 - 400	4103 - 500
Steel black coated	4203 - 200	4203 - 300	4203 - 400	4203 - 500

Side / Middle Part



Cover



Assembled with M8 hexagon screws.
DIN 933, DIN 931, DIN 961 Screws can be used.
Screws are not included.



MATERIAL

Side and Middle Parts : Polyamide (PA6 GFR30), black
Tube: : Plastic coated steel / Anodized aluminium

* Middle part should be used when L is longer than 1000mm

4004 - Handle

Material	Side Cover	Edge - Middle Part	Plastic coated tube 3mt	Anodized aluminium tube 3mt
Item Number	4004 - 001	4004 - 101	4003 - 300	4103 - 300

4004 - Sets with Tube

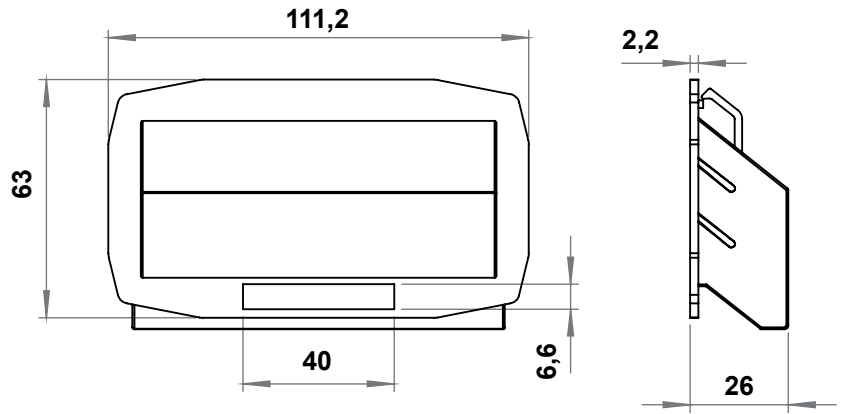
Material	L=200	L=300	L=400	L=500
Plastic coated steel tube	4004 - 200	4004 - 300	4004 - 400	4004 - 500
Anodized aluminium	4104 - 200	4104 - 300	4104 - 400	4104 - 500
Steel black coated	4204 - 200	4204 - 300	4204 - 400	4204 - 500



Material

Polyamide (PA6), black

Cutout



7204 - Handle

	Ts=0.8-1.2 mm	Ts=1.2-1.6 mm
Item Number	7204 - 001	7204 - 002

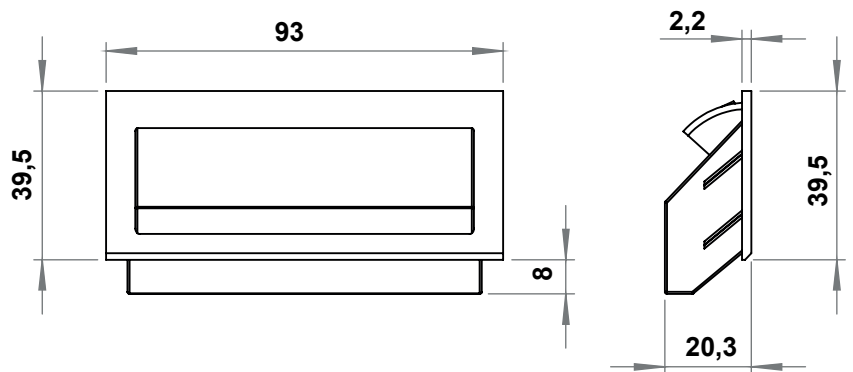
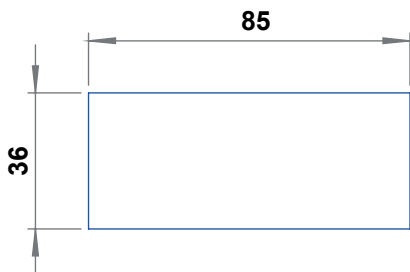
Handle



MATERIAL

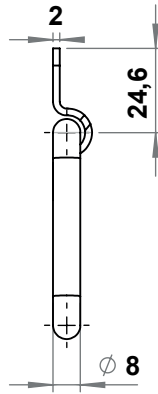
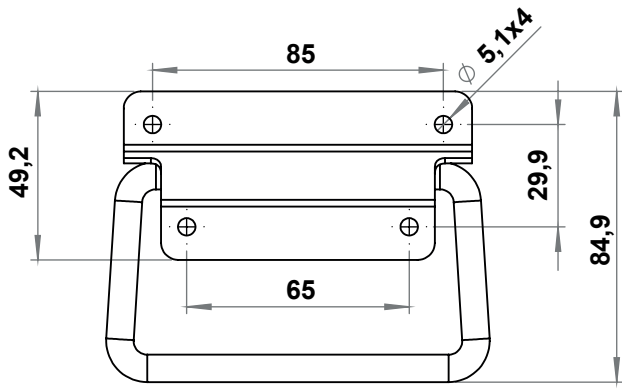
Polyamide (PA6), black

Cutout



7205 - Handle

	Ts=0.8-2 mm
Item Number	7205 - 001

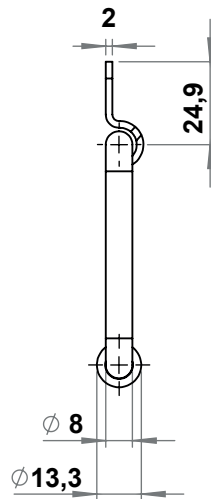
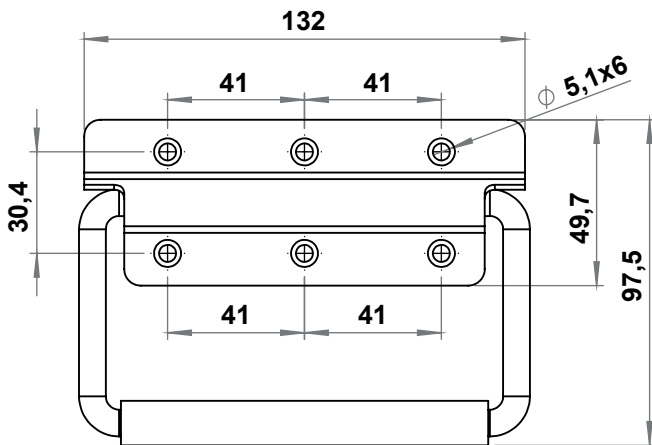


MATERIAL

Stainless steel AISI 304

4201 - Handle

Item Number	4201 - 500
-------------	------------



MATERIAL

Steel, zinc plated

Assembled with M5 countersink head screws.
Screw are not included.

4202 - Handle

Item Number	4202 - 330
-------------	------------

Handle



11 - Latches and Miscellaneous Locks



Page 246



Page 247



Page 248



Page 249



Page 252



Page 253



Page 254



Page 257



Page 258



Page 259



Page 261



Page 263



Page 264



Page 265



Page 266



Page 267



Page 268

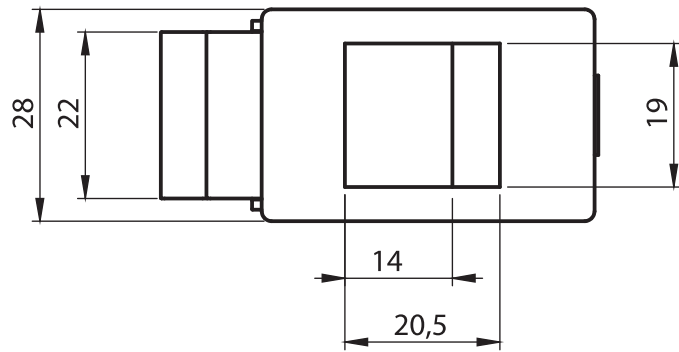
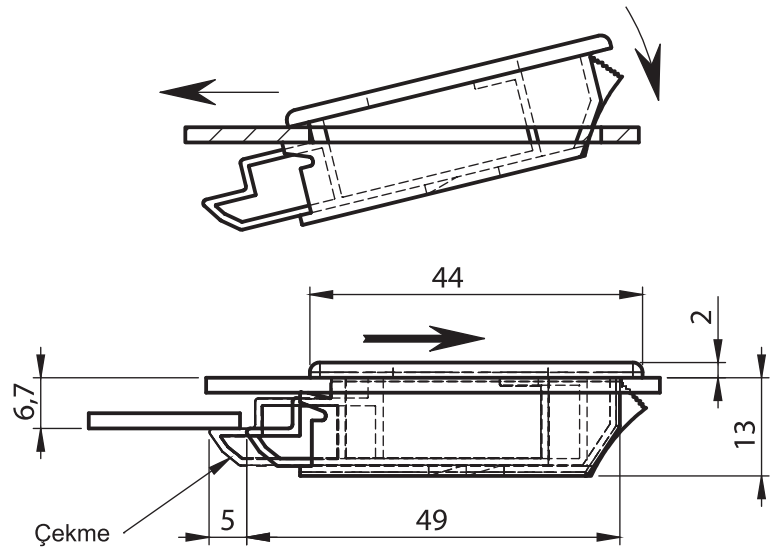


Page 269

Latches and Miscellaneous Locks



**7740
Heavy Duty Lock**



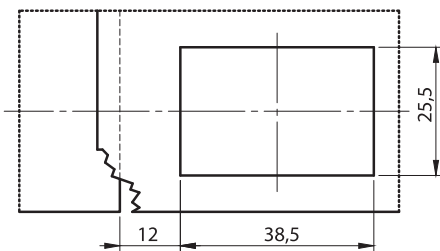
Material

Housing: Polyamide (PA6 GFR30), black

Spring: Spring Steel

Ts: 0,8 - 2,0 mm

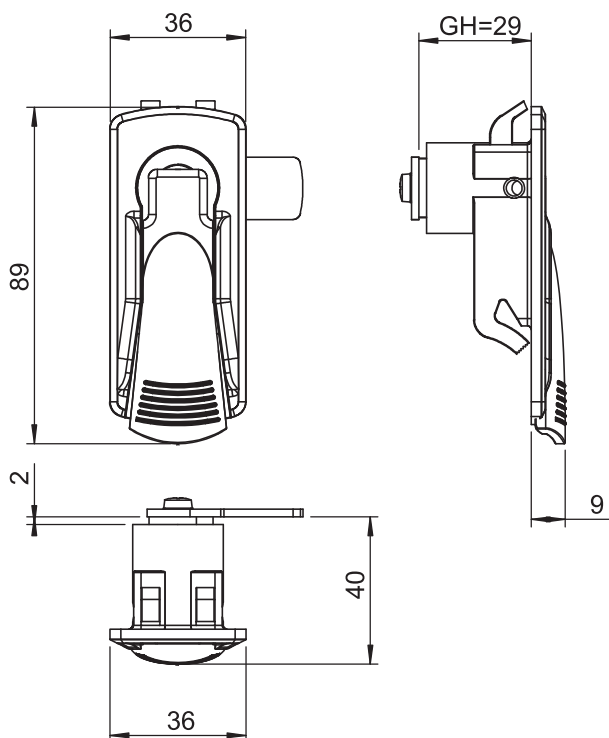
Cut Out



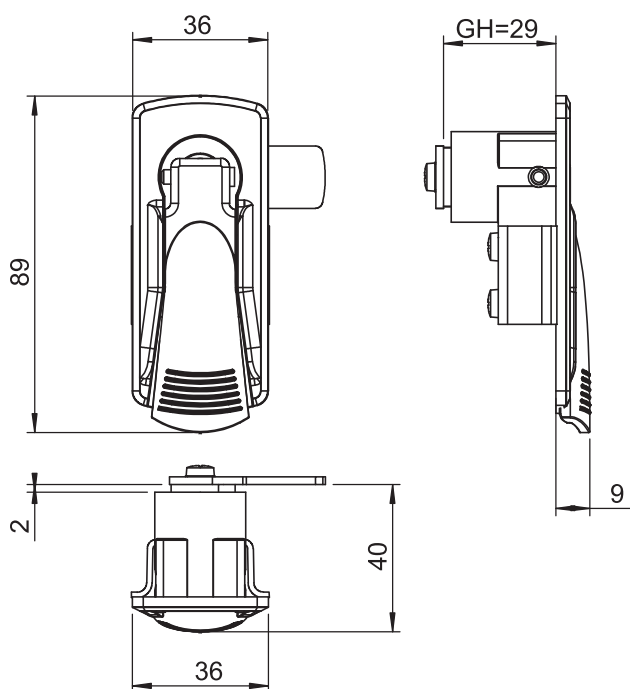
7201 - Sliding Latch

	Black	Gray Ral 7035
Item Number	7201 - 001	7201 - 002

Clip-In Model



With Bracket



7710 - Clip-In Functional lock

	RH	LH
Item Number	7710 - 001 - xxx	7710 - 002 - xxx

7710 - Functional lock with Bracket

	RH	LH
Item Number	7710 - 101 - xxx	7710 - 102 - xxx

You may chose XXX section from cam tables



Latches and Miscellaneous Locks

Material

Housing: Polyamide (PA6 GFR30), black

Cam : Steel, zinc plated or Polyamide (PA6 GFR30), black

Ts : 0,8 - 2 mm

Options

Cams : Pages 94 - 95

IP 54		LH	RH
			RoHS



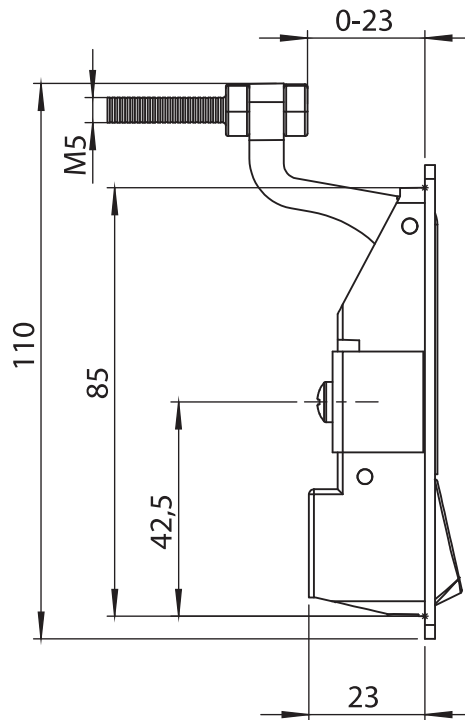
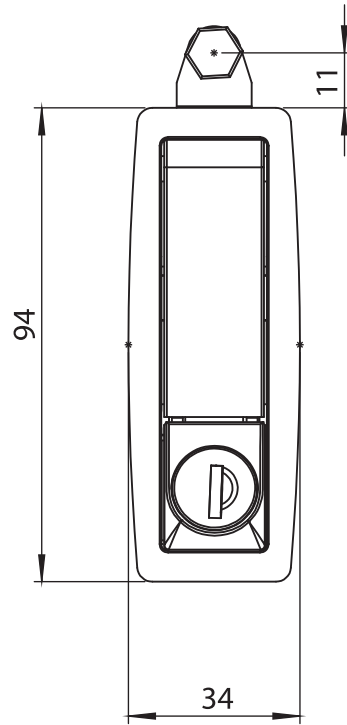
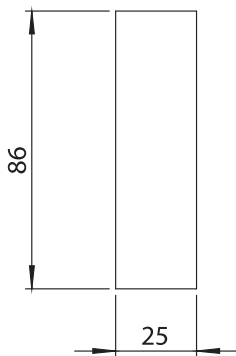
Material

Housing : Zinc die, black coated or chrome plated


Handle : Zinc die, black coated or chrome plated

Mounting Bracket : Steel, zinc plated

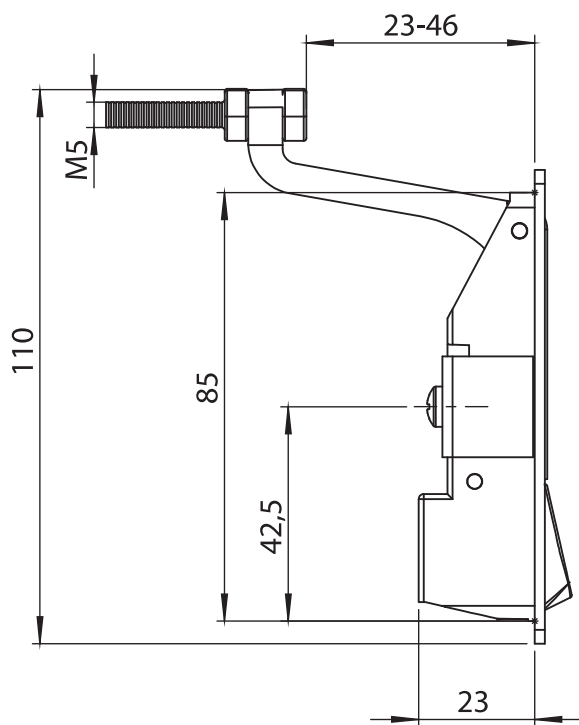
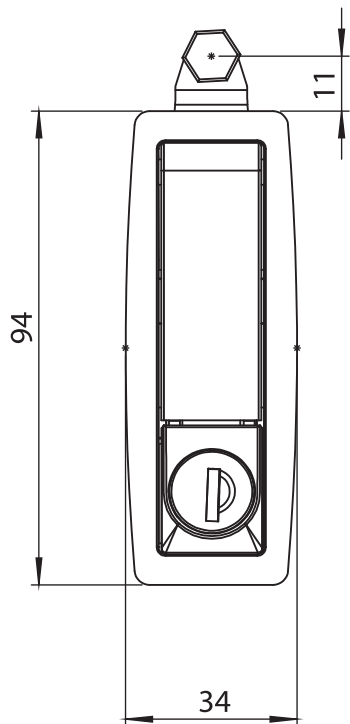
Cut Out




7722 - Compression Latch

	Cylinder Type	Black Coated	Chrome Plated
	Non-Locking	7722 - 100	7722 - 200
	Keyed Same	7722 - 127	7722 - 227
	Keyed Differ	7722 - 129	7722 - 229





7723 - Compression Latch

	Cylinder Type	Black Coated	Chrome Plated
	Non-Locking	7723 - 100	7723 - 200
	Keyed Same	7723 - 127	7723 - 227
	Keyed Differ	7723 - 129	7723 - 229

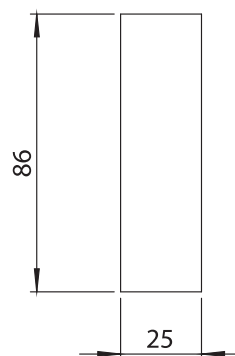


Latches and Miscellaneous Locks

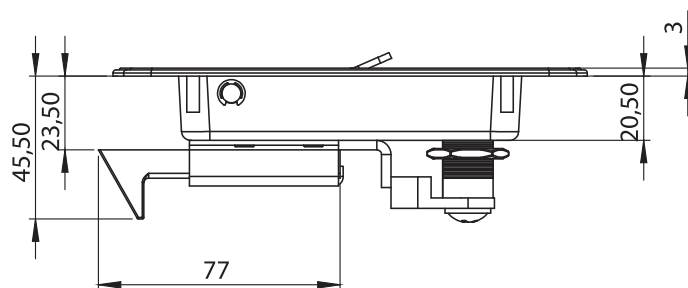
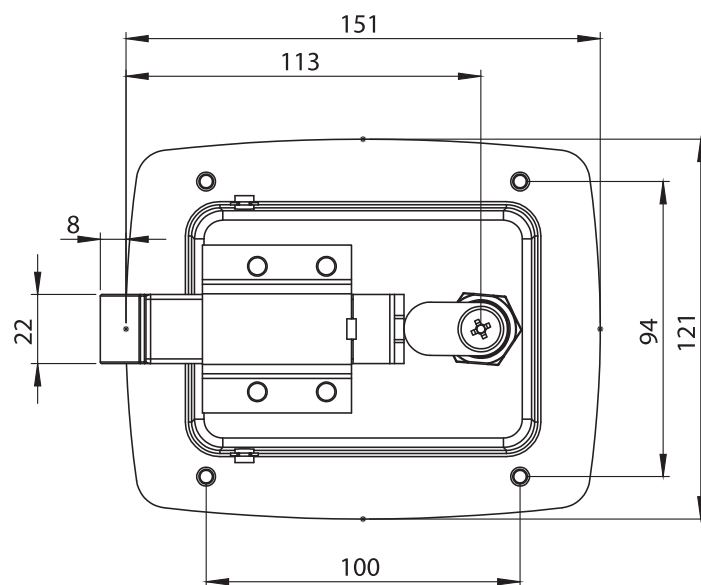
Material

- Housing** : Zinc die, black coated or chrome plated
- Handle** : Zinc die, black coated or chrome plated
- Mounting Bracket** : Steel, zinc plated

Cut Out



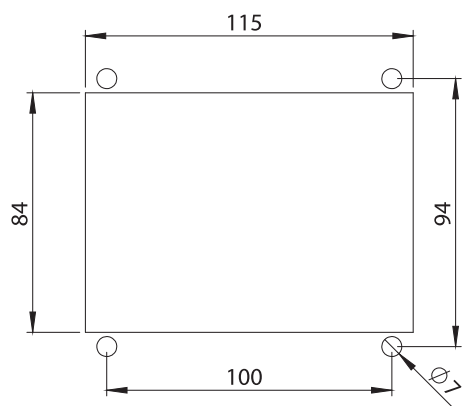

LH/RH
RoHS



Material

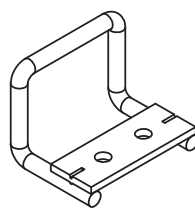
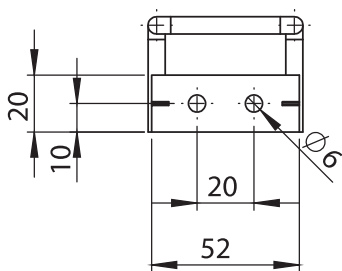
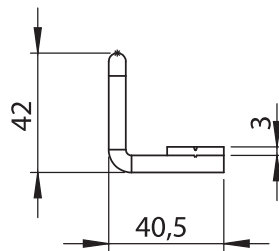
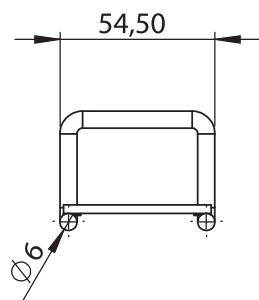
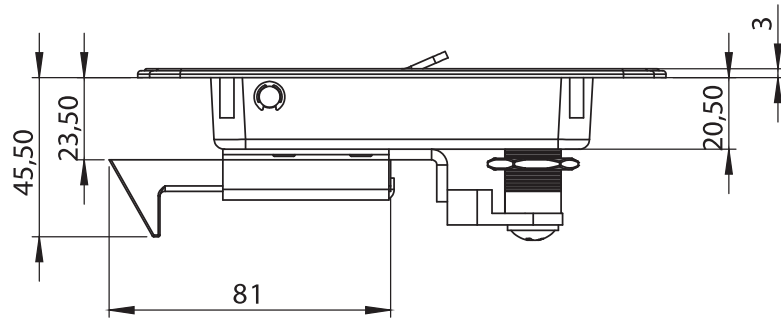
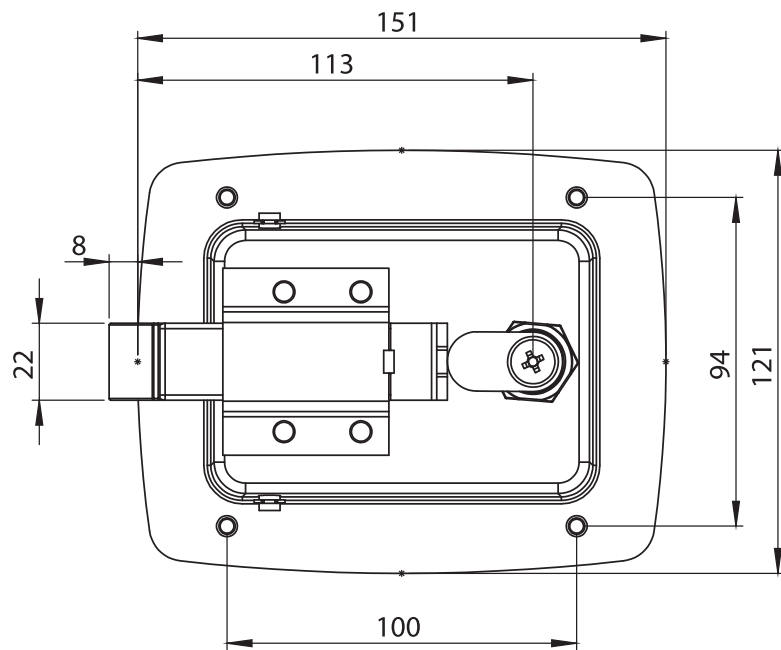
- Housing** : Steel, black coated
- Handle** : Steel, black coated
- Cam** : Zinc die
- Gasket** : Polyurethane
- Catcher** : Steel, zinc plated

Cut out



7740 - Heavy Duty Lock

Cylinder Type	77 mm Cam	81 mm Cam
Keyed 3333	7741 - 023	7742 - 023
Keyed Alike	7741 - 027	7742 - 027
Keyed Differ	7741 - 029	7742 - 029



Catcher

Item Number	7740 - 330
-------------	------------



Latches and Miscellaneous Locks

Catcher

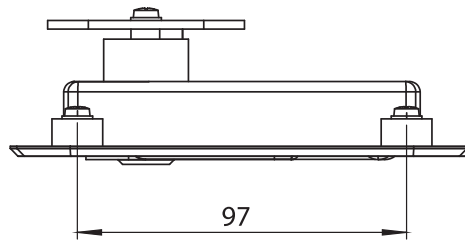
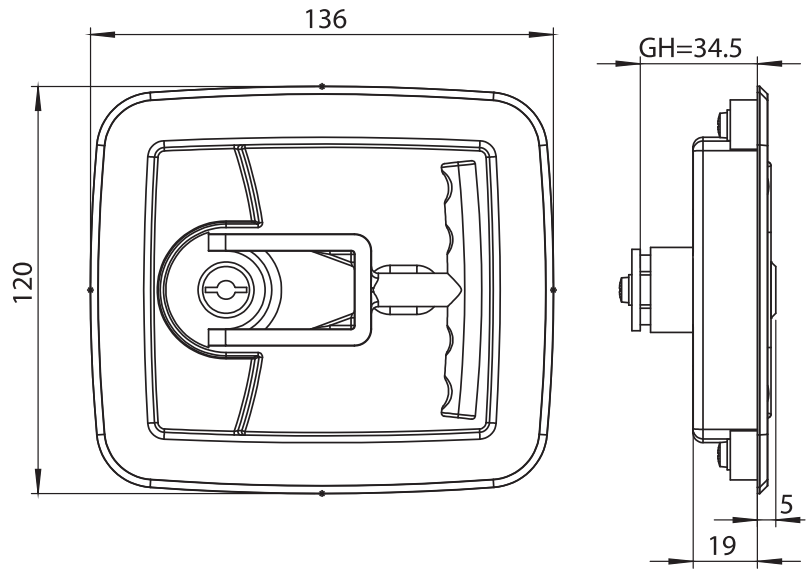


IP 54



LH/RH

RoHS



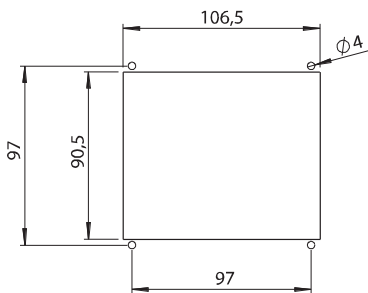
Material

Housing : Polyamide (PA6 GFR30), black

Cam : Steel, zinc plated

- Please contact Elkomsan for different types of cams

Cut out



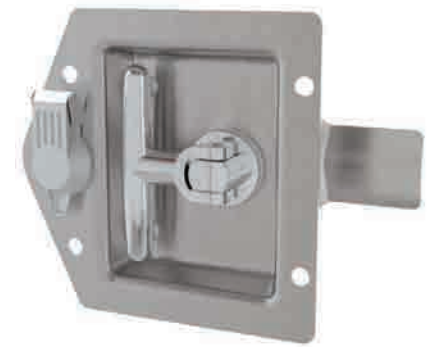
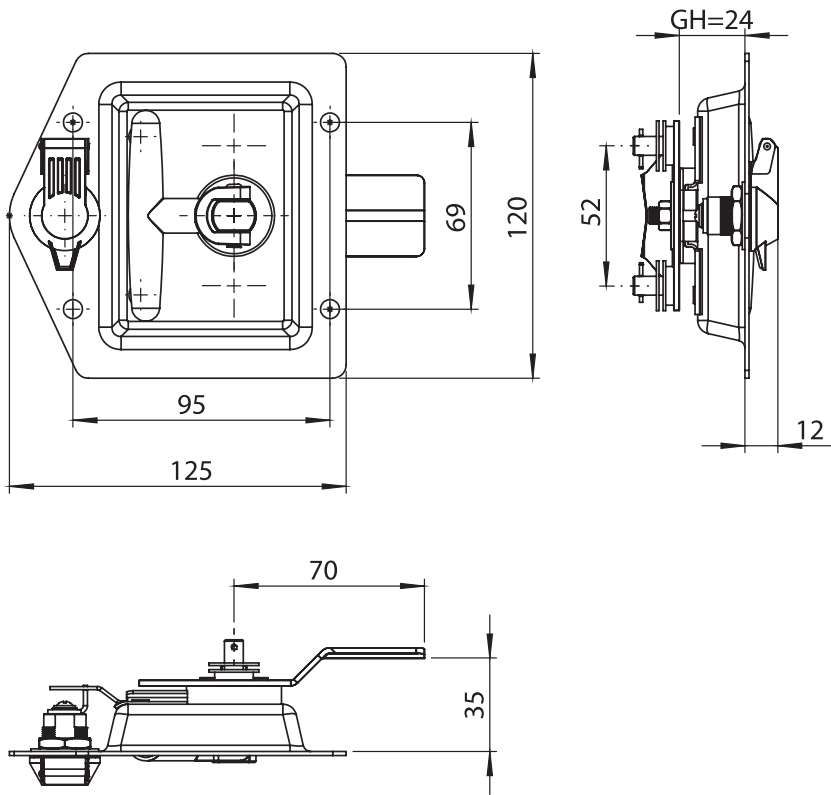
7750 - Heavy Duty Lock

Key Type	
Keyed Alike	7750 - 027

IP 54



LH/RH



Latches and Miscellaneous Locks

Material

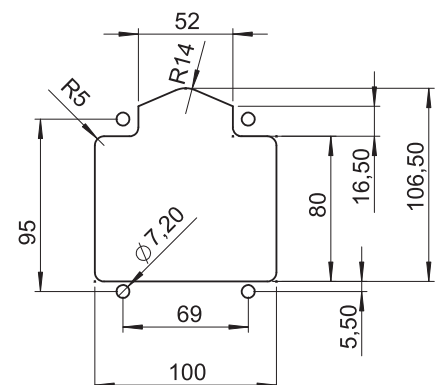
Stainless Steel AISI 304

- Please contact Elkomsan for different types of cams

7755 - Heavy Duty Lock

Key Type	
Keyed Alike	7755 - 027

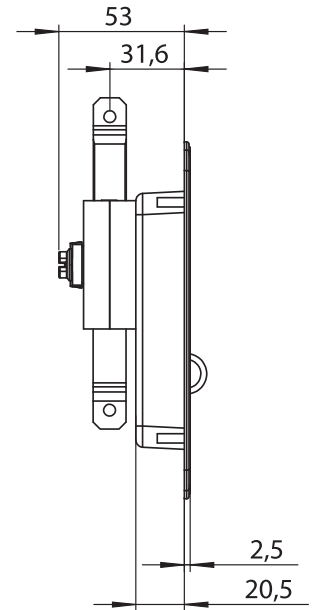
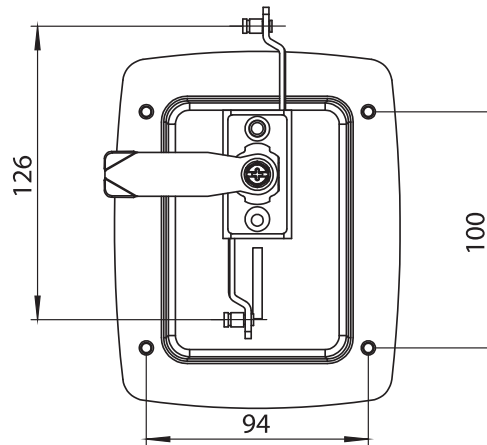
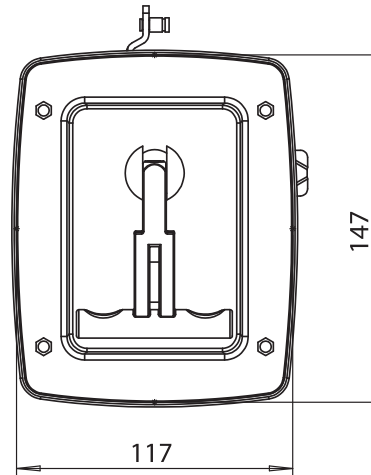
Cut out



IP 65



LH/RH



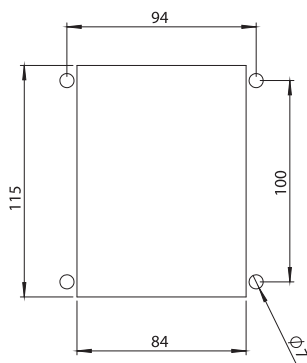
Material

- Housing** : Steel, black coated
- Handle** : Zinc die, chrome plated or black coated
- Cam** : Steel, zinc plated
- Gasket** : Polyurethane
- Padlock Part** : Stainless Steel, AISI 304

Options

- Rod Latch** : Pages 96 - 98
- Cams** : Pages 94 - 95

Cut out

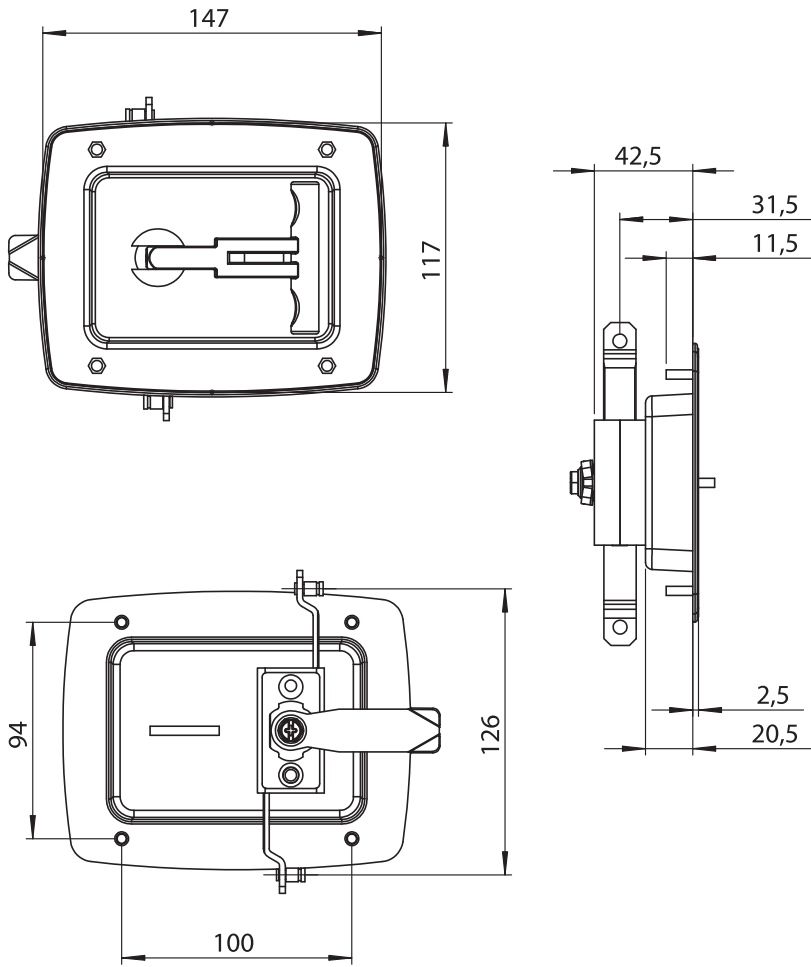


7762 - Heavy Duty Lock - Vertical T Handle

	Handle : Black coated	Handle : Chrome plated
Item Number	7762 - 100 - MK - XXX	7762 - 200 - MK - XXX

You may chose XXX section from cam tables
You may chose MK section from Rod Latch pages

IP 65 LH/RH RoHS



Latches and
Miscellaneous Locks

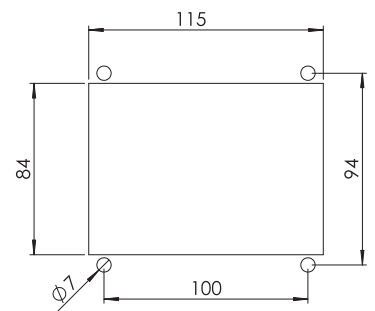
Material

- Housing** : Steel, black coated
- Handle** : Zinc die, chrome plated or black coated
- Cam** : Steel, zinc plated
- Gasket** : Polyurethane
- Padlock Part** : Stainless Steel, AISI 304

Options

- Rod Latch** : Pages 96 - 98
- Cams** : Pages 94 - 95

Cut out



7763 - Heavy Duty Lock - Horizontal T Handle

	Handle : Black coated	Handle : Chrome plated
Item Number	7763 - 100 - MK - XXX	7763 - 200 - MK - XXX

You may chose XXX section from cam tables
You may chose MK section from Rod Latch pages

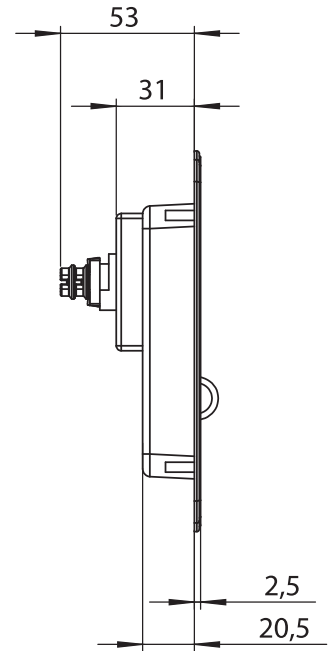
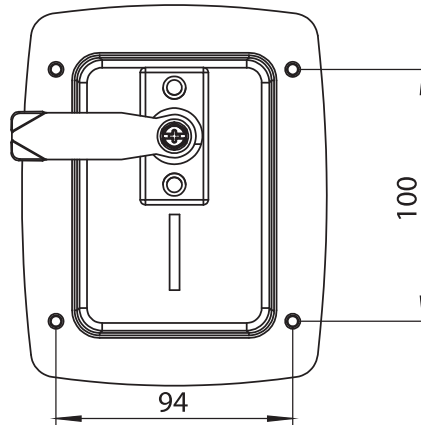
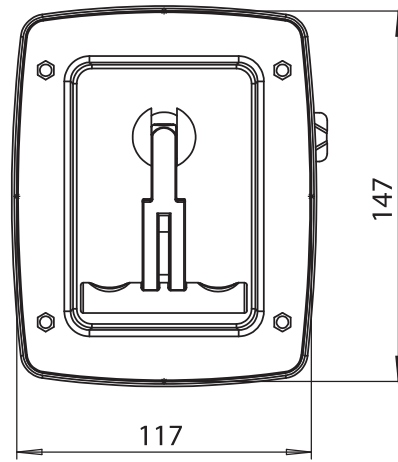
IP 65



LH/RH



RoHS



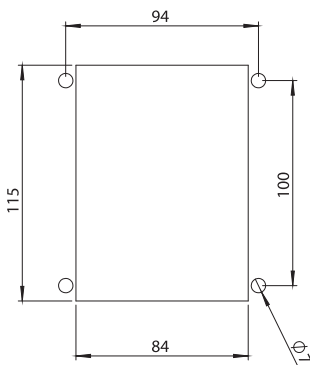
Material

- Housing** : Steel, black coated
- Handle** : Zinc die, chrome plated or black coated
- Cam** : Steel, zinc plated
- Gasket** : Polyurethane
- Padlock Part** : Stainless Steel, AISI 304

Options

Cams : Pages 94 - 95

Cut out

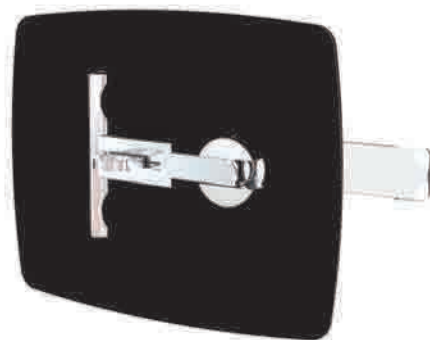
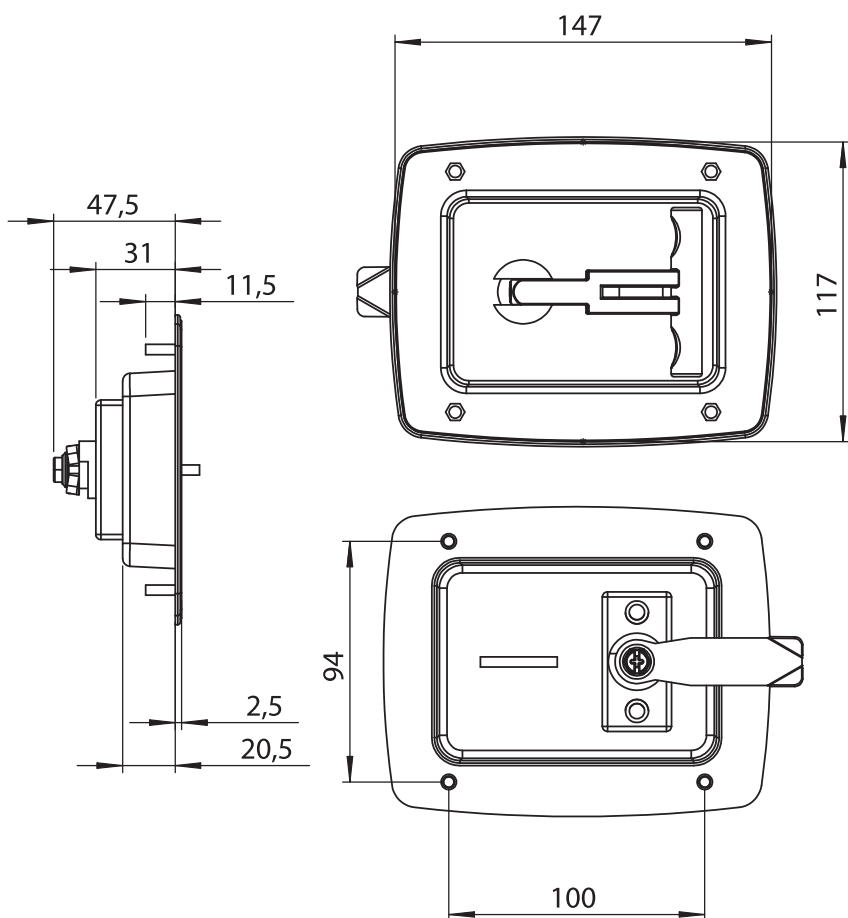


7772 - Heavy Duty Lock - Vertical T Handle

	Handle : Black coated	Handle : Chrome plated
Item Number	7772 - 100 - MK - XXX	7772 - 200 - MK - XXX

You may chose XXX section from cam tables
You may chose MK section from Rod Latch pages

IP 65 LH/RH RoHS



Latches and
Miscellaneous Locks

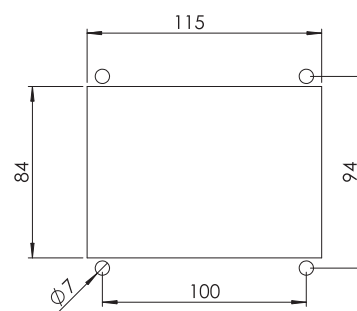
Material

- Housing** : Steel, black coated
- Handle** : Zinc die, chrome plated or black coated
- Cam** : Steel, zinc plated
- Gasket** : Polyurethane
- Padlock Part** : Stainless Steel, AISI 304

Options

- Cams** : Pages 94 - 95

Cut out

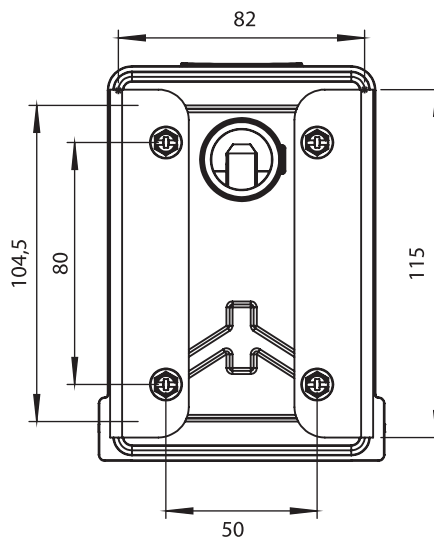
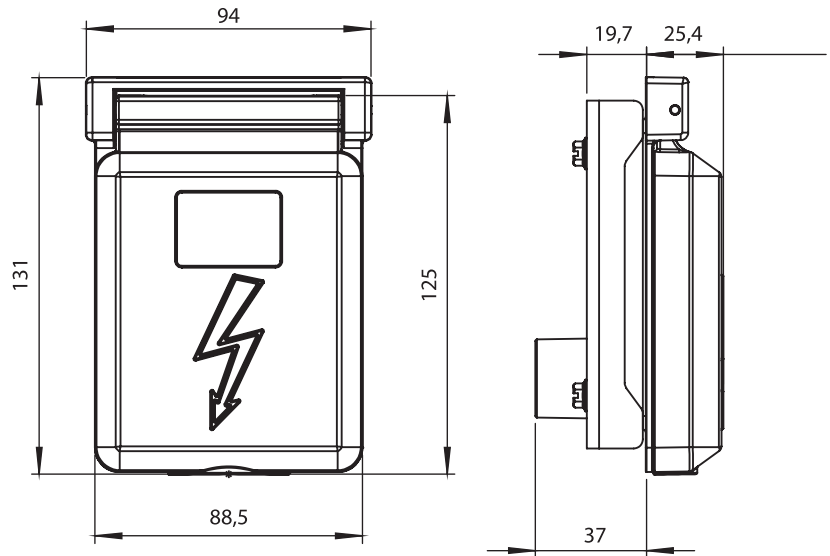


7773 - Heavy Duty Lock - Horizontal T Handle

	Handle : Black coated	Handle : Chrome plated
Item Number	7773 - 100 - MK - XXX	7773 - 200 - MK - XXX

You may chose XXX section from cam tables
You may chose MK section from Rod Latch pages

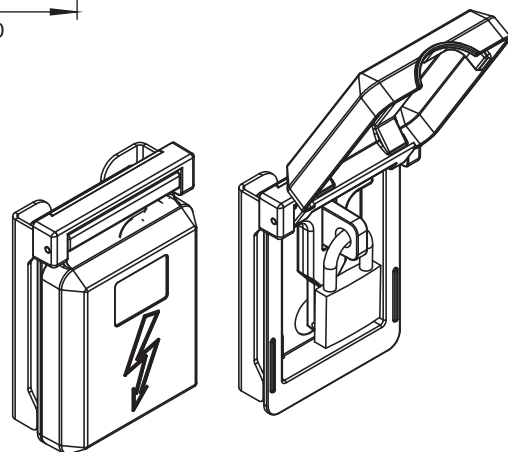
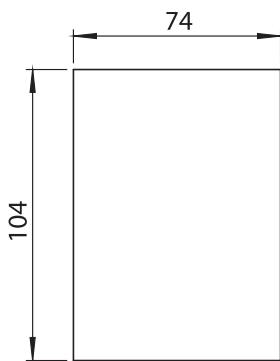




Material

- Housing** : Aluminium, raw or black coated
- Cover** : Aluminium, raw or black coated
- Handle** : Zinc die, chrome plated
- Pin** : Stainless steel
- Padlock Part** : Zinc die

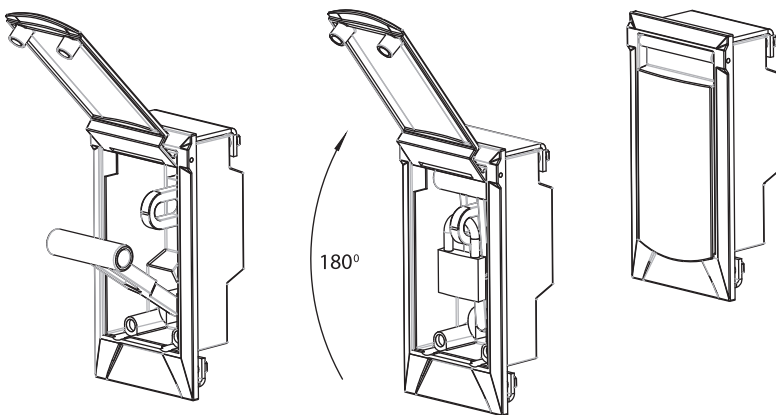
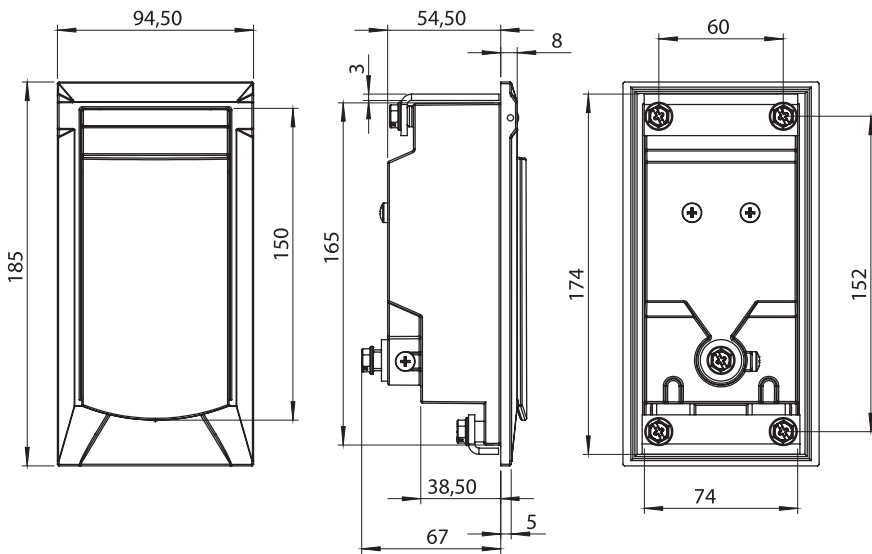
Cut out



7780 - Heavy Duty Lock - T Handle

	Black coated	Non painted
Item Number	7780 - 210	7780 - 100



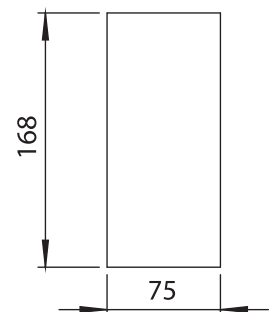


Latches and Miscellaneous Locks

Material

- Housing** : Aluminium, raw or black coated
- Cover** : Aluminium, raw or black coated
- Handle** : Zinc die, chrome plated
- Pin** : Stainless steel
- Padlock Part** : Zinc die

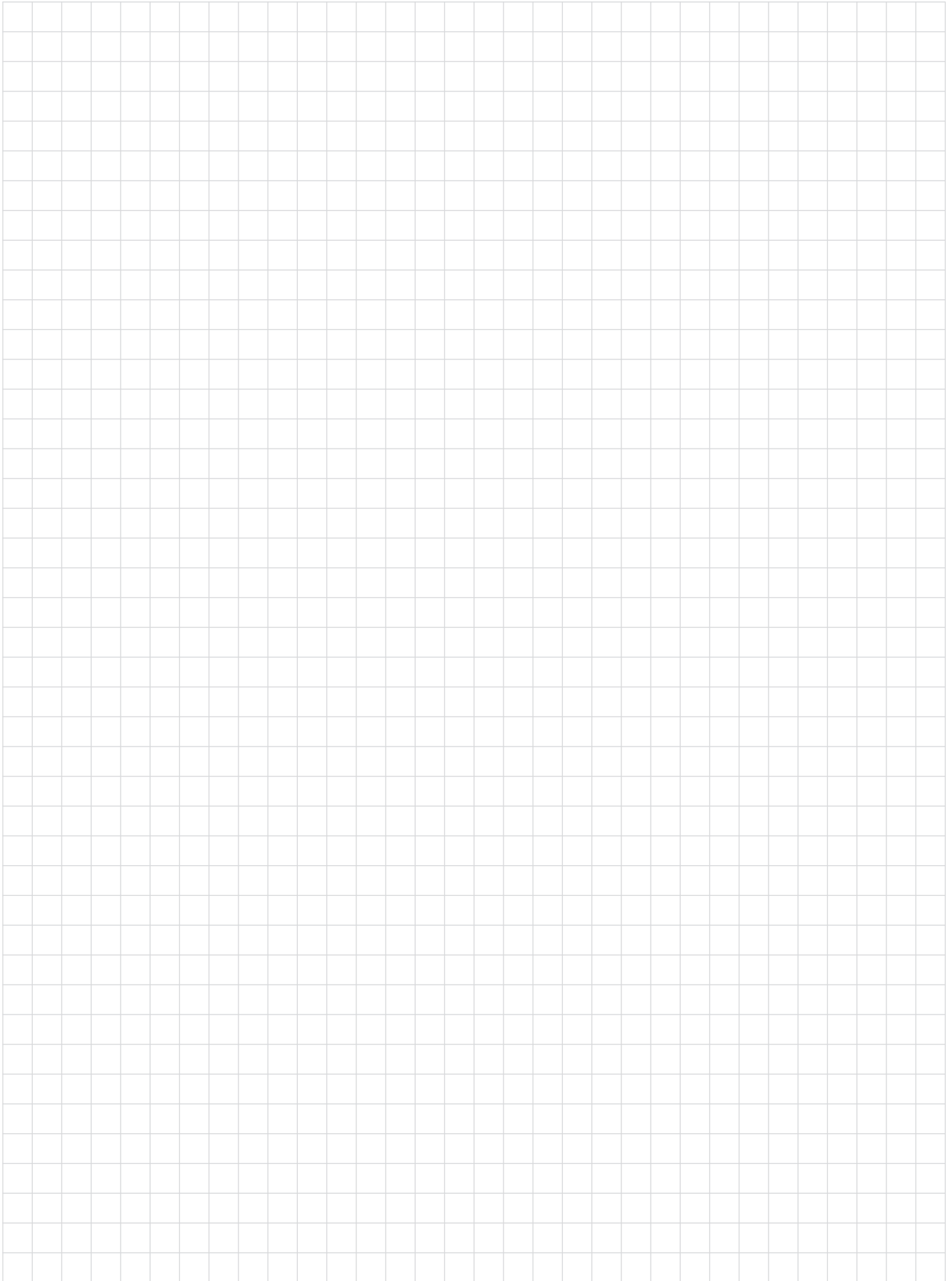
Cut out

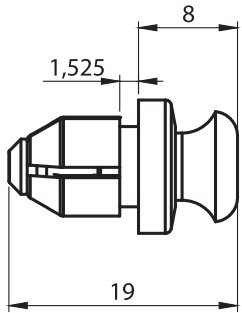


7790 - Heavy Duty Lock - T Handle

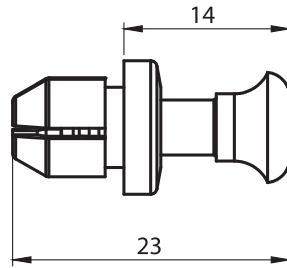
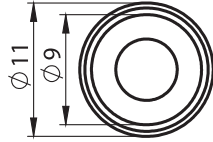
	Black coated	Non painted
Item Number	7790 - 210	7790 - 100

IP 65  LH/RH 
 RoHS



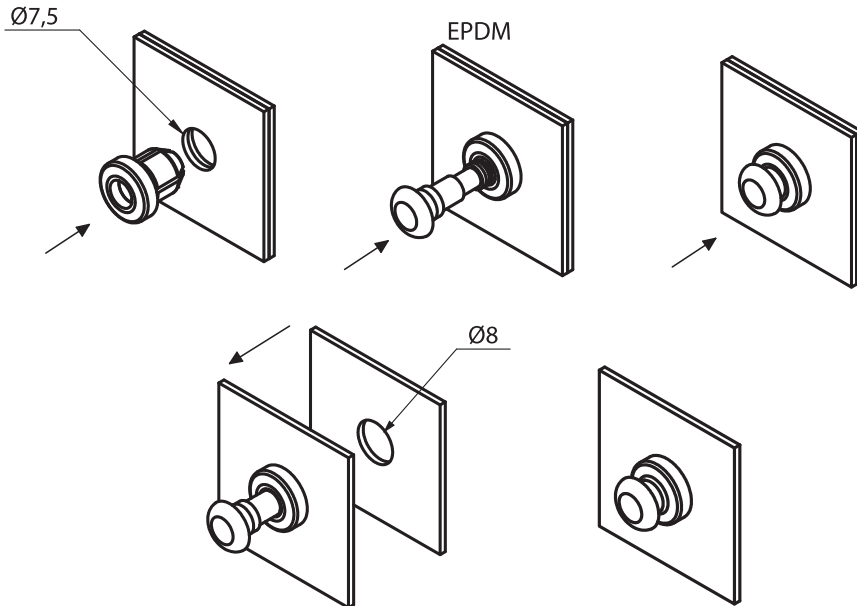


Locked Position



Unlocked Position

Mounting and Operation



Latches and Miscellaneous Locks

Material

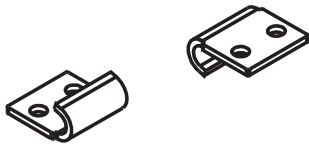
Polycarbonate (PC), black

7003 - Joiner

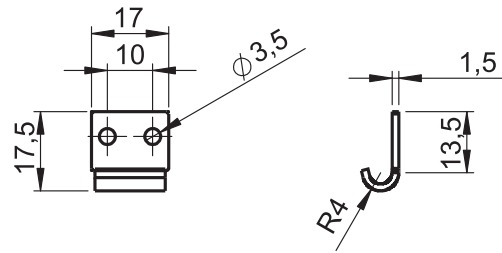
	TS = 0,8 - 1,5 mm	TS = 1,6 - 2,5 mm
Item Number	7003 - 001	7003 - 002

Complete PA

RoHS

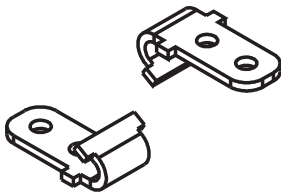


Material: Steel, zinc plated

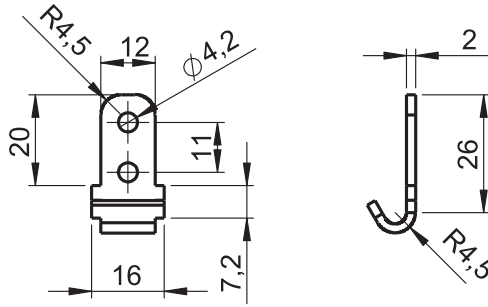


Item Number	7400 - 331
-------------	------------

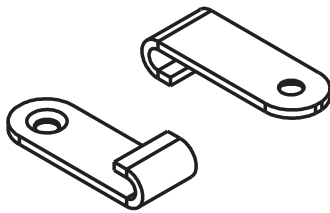
Latches and Miscellaneous Locks



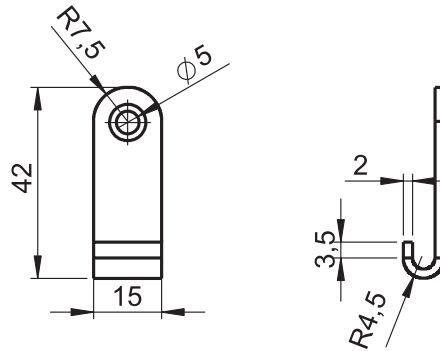
Material: Steel, zinc plated



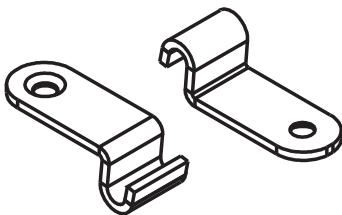
Item Number	7400 - 332
-------------	------------



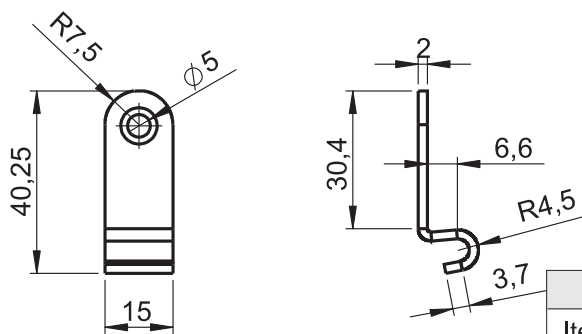
Material: Steel, zinc plated



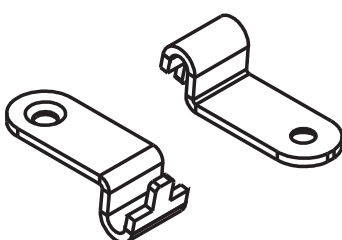
Item Number	7400 - 339
-------------	------------



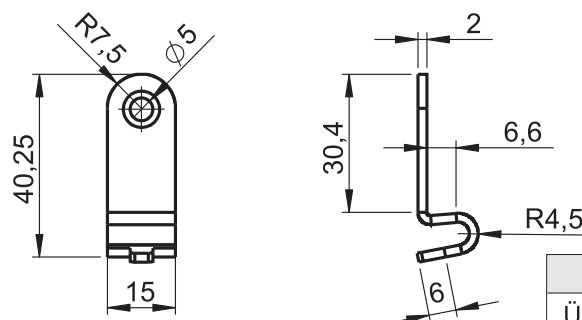
Material: Steel, zinc plated



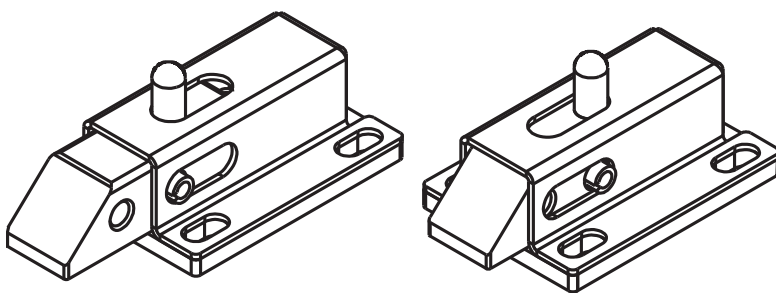
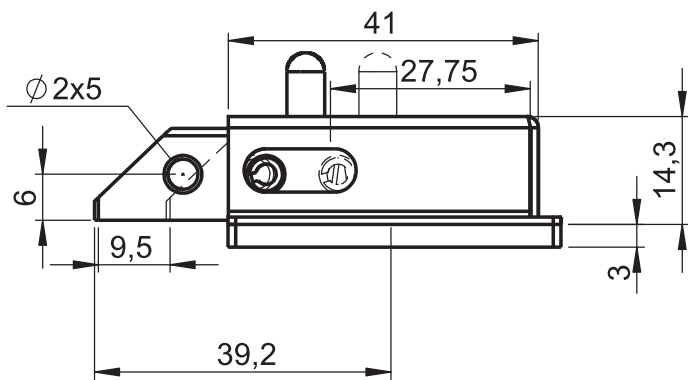
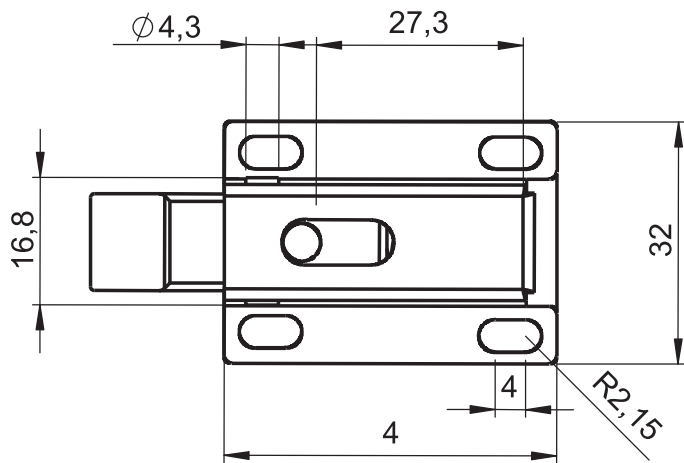
Item Number	7400 - 338
-------------	------------



Material: Steel, zinc plated



Ürün Kodu	7400 - 334
-----------	------------



Latches and Miscellaneous Locks

Material

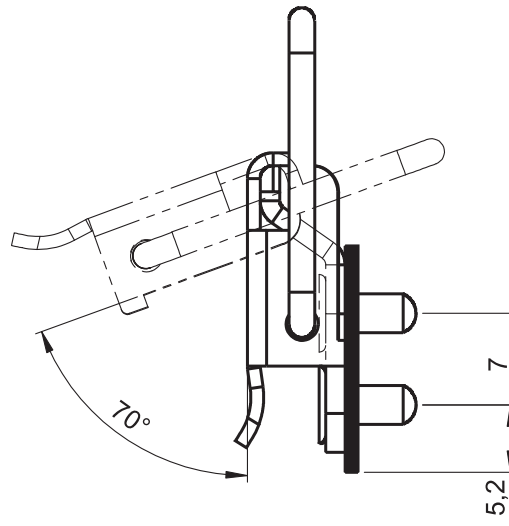
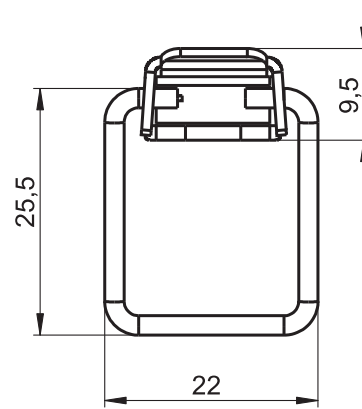
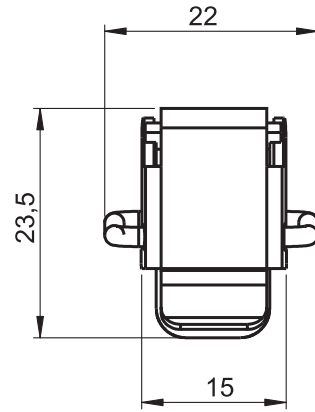
Steel, zinc plated

7405 - Latch

Item Number	7405 - 330
-------------	------------

LH/RH

RoHS



Material

Steel, zinc plated

Options

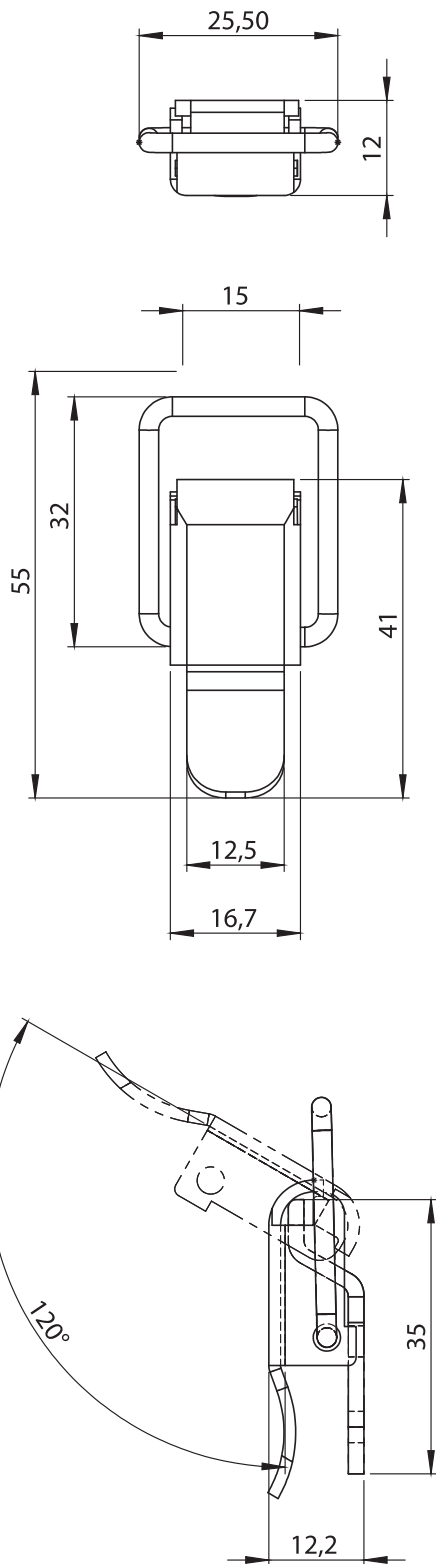
Toggle Catcher : Page 262

7407 - Toogle Latch

Item Number	7407 - 330
-------------	------------

LH/RH

RoHS



7403 - Toogle Latch

Item Number	7403 - 330
-------------	------------



Latches and Miscellaneous Locks

Material

Steel, zinc plated

Options

Toggle Catcher : Page 262

LH/RH RoHS

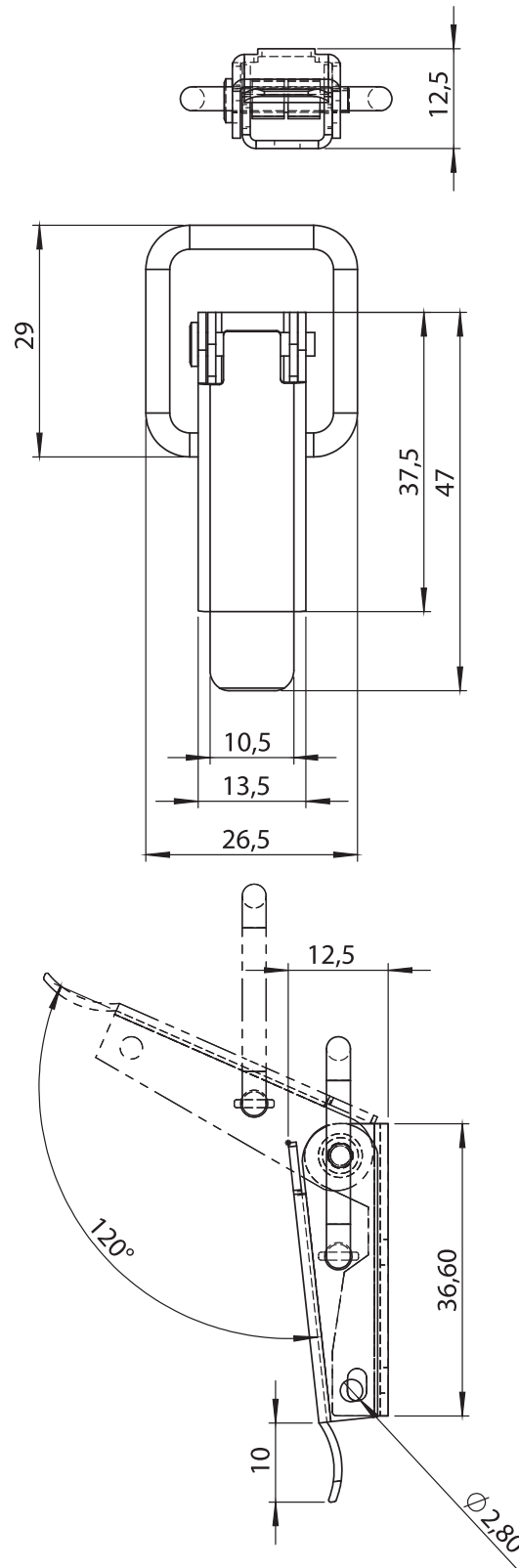


Material

Steel, zinc plated

Options

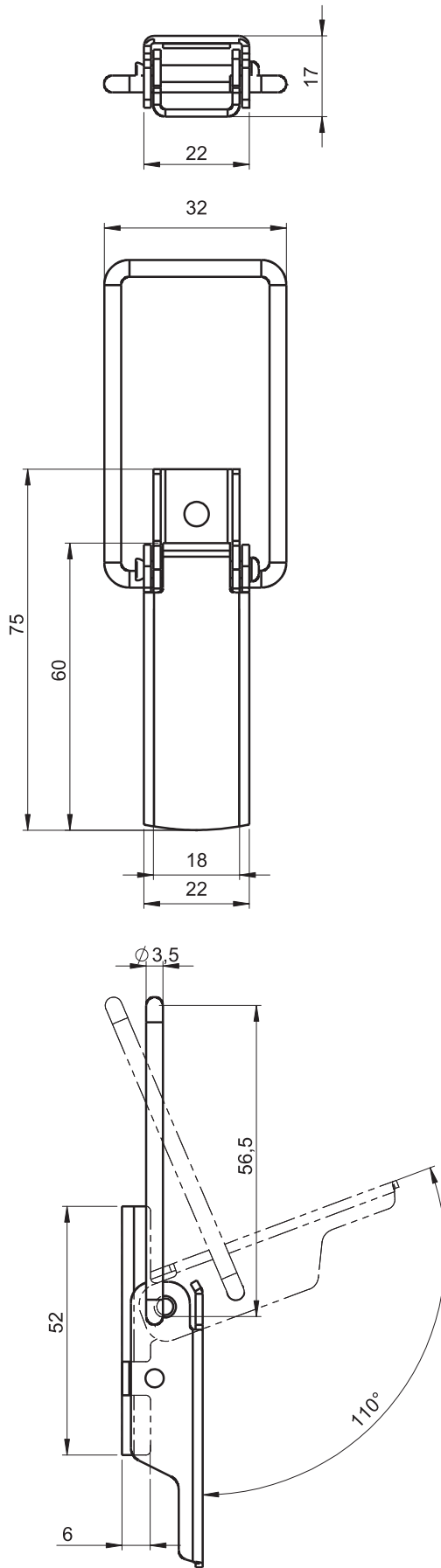
Toggle Catcher : Page 262



7406 - Toogle Latch

Item Number	7406 - 330
-------------	------------

LH/RH RoHS



7404 - Toogle Latch

Item Number	7404 - 330
-------------	------------



Latches and Miscellaneous Locks

Material

Steel, zinc plated

Options

Toggle Catcher : Page 262

LH/RH

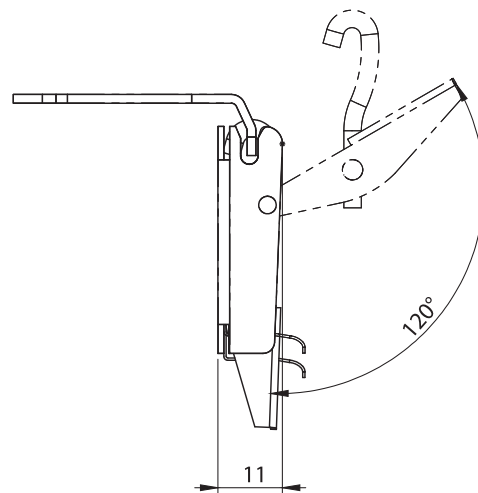
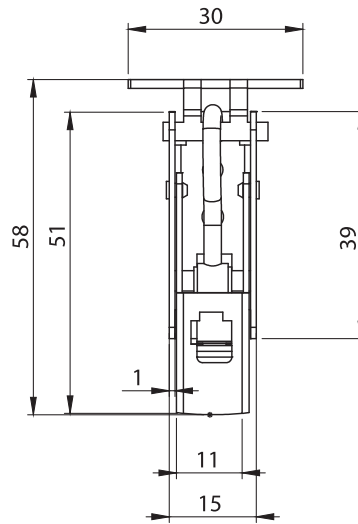
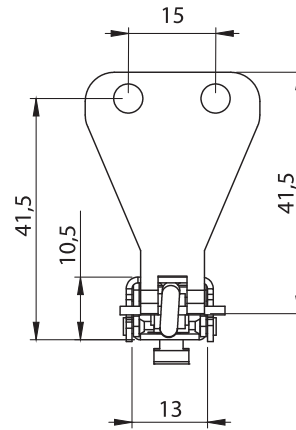
RoHS



Material

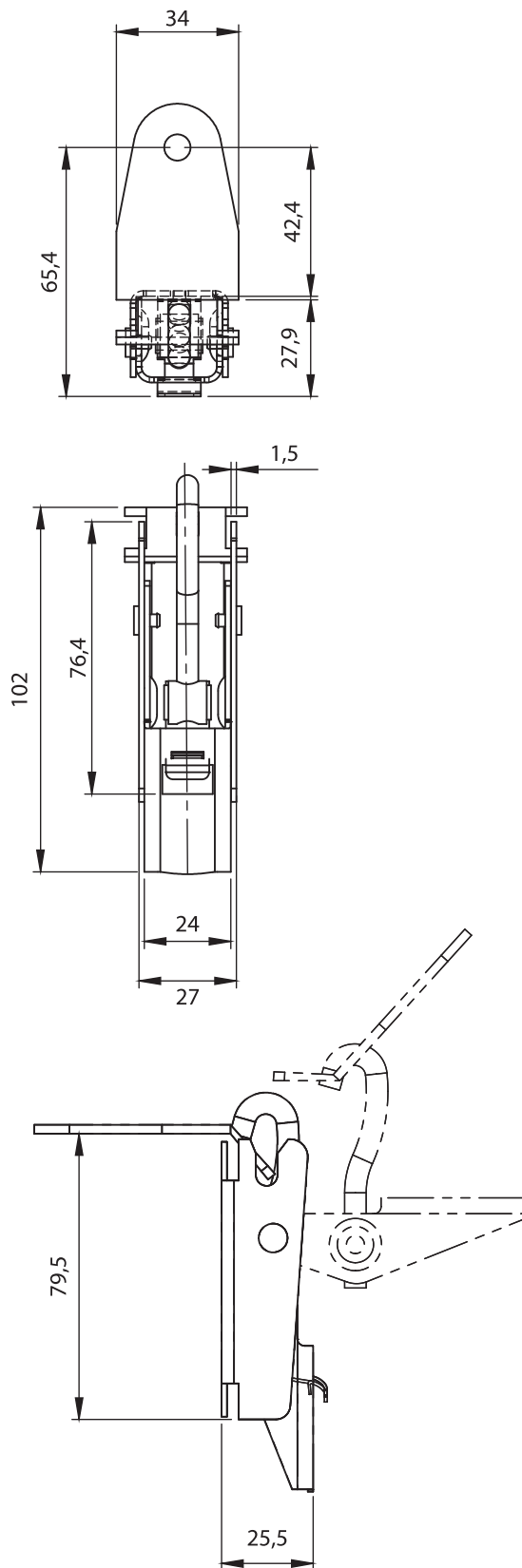
Steel, zinc plated

- Catcher is included



7401 - Toogle Latch

Item Number	7401 - 330
-------------	------------



7402 - Toogle Latch

Item Number	7402 - 330
-------------	------------



Latches and Miscellaneous Locks

Material

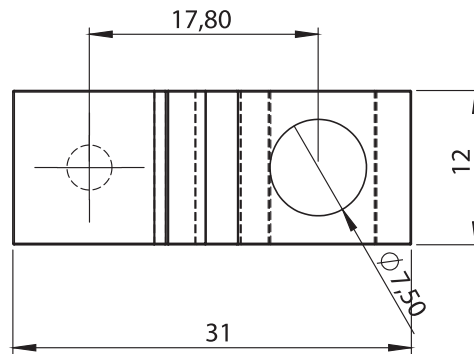
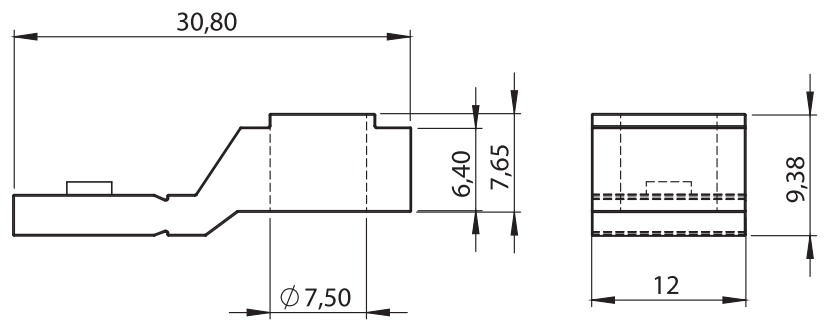
Steel, zinc plated

- Catcher is included

LH/RH RoHS



Latches and Miscellaneous Locks

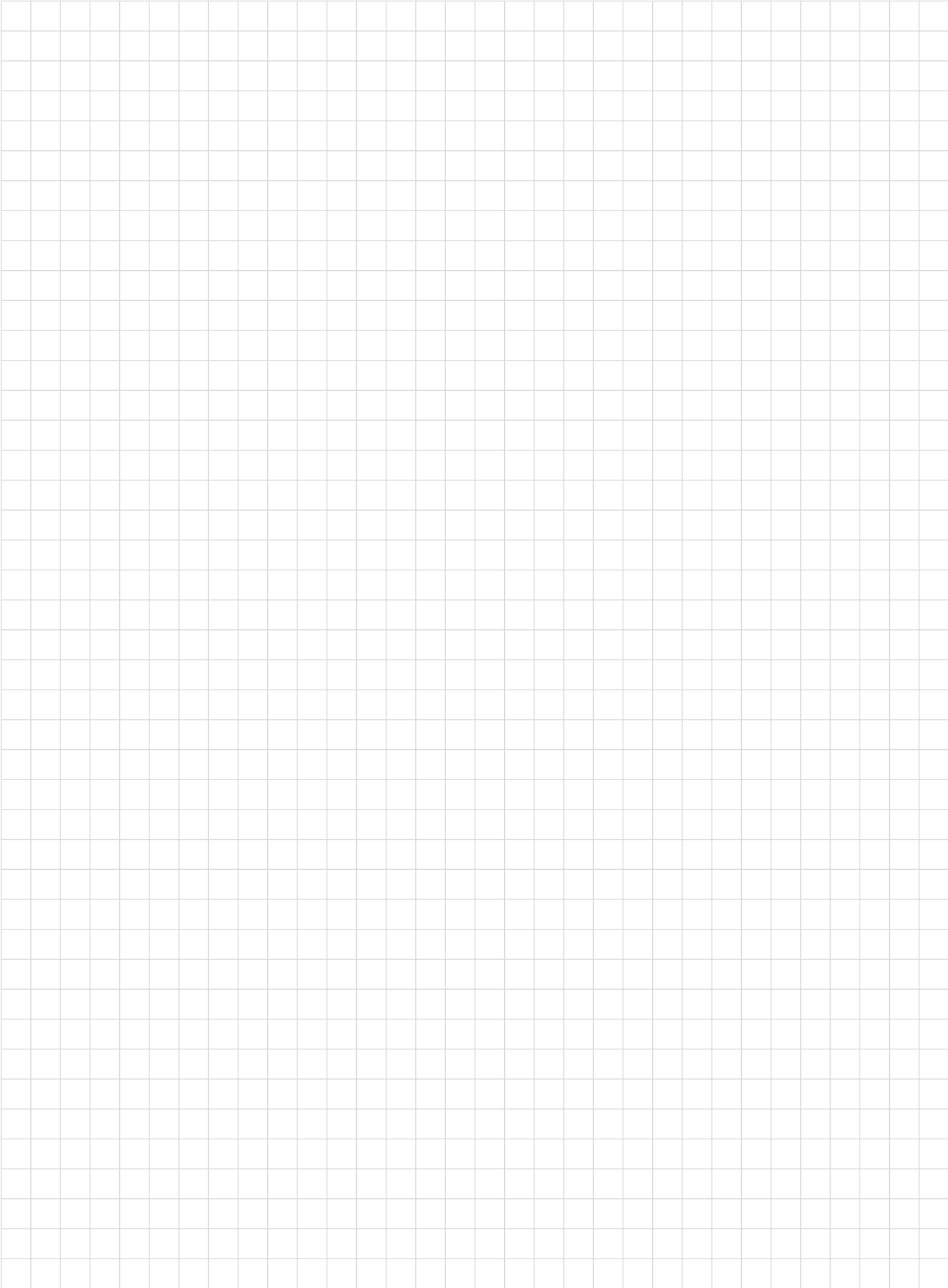


Material

Zinc die, raw

7005 - Pannel Fixing Part

Item Number	7005 - 001
-------------	------------



Notes